

PORSCHE

Technical Manual

Boxster

Technical Information

Repair

Contents:

Group 9

Circuit diagrams

Part 1 (up to and including '99 model)

WKD 483 521

TITEL.CHP

Foreword

The workshop documentation for the Boxster model has the designation "**Boxster**" **Technical Manual** and contains **Technical Information** as well as instructions on **Repairs**.

The integration of the technical information published in the "Boxster" Technical Manual with the descriptive matter on repairs provides the user with a complex reference work that combines into one book associated or cross-referenced material of relevance to workshops and originating from various information media.

The "Boxster" Technical Manual consists of 15 folders, subdivided into the following Groups

0	Entire vehicle – General
0	Diagnosis, part 1 (up to Repair Group 45) * ¹
0	Diagnosis, part 2 (as of Repair Group 69) * ²
1	Engine, part 1 (up to Repair Group 13) * ³
1	Engine, part 2 (as of Repair Group 15) * ⁴
2	Fuel, exhaust, engine electronics
3	Transmission, manual transmission
3	Transmission, automatic transmission
4	Running gear
5	Body
6	Body equipment, exterior
7	Body equipment, interior
8 / 9	Air conditioning / Electrics
9	Circuit diagrams, part 1 (up to and including the '99 model) * ⁵
9	Circuit diagrams, part 2 (as of the '00 model) * ⁶

- *¹ The two folders with Group 0 are to be regarded as one folder; i.e. file the "Technical Information" notices only in front of the repair descriptions in the folder "Group 0 – Diagnosis, part 1" (**up to Repair Group 45**).
- *² The **second folder** "Group 0 – Diagnosis, part 2" (**as of Repair Group 69**) includes the further Repair Groups belonging to Group 0.
- *³ The two folders with Group 1 are to be regarded as one folder; i.e. file the "Technical Information" notices only in front of the repair descriptions in the folder "Group 1 – Engine, part 1" (**up to Repair Group 13**).
- *⁴ The **second folder** "Group 1 – Engine, part 2" (**as of Repair Group 15**) includes the further Repair Groups belonging to Group 1.

- *5 The two folders with Group 9 are to be regarded as one folder; i.e. file the "Technical Information" notices only in front of the repair descriptions in the folder "Group 9 – Circuit diagrams, part 1" (**up to the '99 model**).
- *6 The **second folder** "Group 9 – Circuit diagrams, part 2" (**as of the '00 model**) includes the further circuit diagrams belonging to Group 9.

The "Boxster" Technical Manual has the same structure in each folder, with the following breakdown for all Groups:

Title page, "Boxster" Technical Manual

> Foreword

Title page: "Technical Information"

> Table of Contents, Technical information
> Technical information

Title page: "Repair"

> Repair Groups: overview
> Table of Contents, repairs
> General / technical data
> Instructions on repairs

As can be seen from the breakdown, the published Technical Information is in the front part of each folder – numbered according to the Groups. The Table of Contents assigned to each Group will be periodically updated.

Following the Technical Information, separated by a title page, the instructions on repairs – assigned according to the Groups or broken down into Repair Groups – are included in the folder.

The instructions on repairs will be extended and updated by means of supplements.

Note

Sheets that already exist in the "Boxster" Technical Manual and are updated or revised and thereby exchanged by a supplement are designated "Replacement sheet". Revisions or technical modifications on pages of these replacement sheets are identified for the user with a vertical bar at the margin.

Group 0:	Entire vehicle – General	0
	Maintenance	03
Group 0:	Diagnosis	0
	Sales check	01
	On-board diagnosis	03
	DME diagnosis	24
	Tiptronic diagnosis	37
	ABS diagnosis	45
Group 0:	Diagnosis	0
	Airbag diagnosis	69
	Seat memory diagnosis	72
	Heating diagnosis	80
	Alarm system diagnosis	90
	PCM diagnosis	91
	ParkAssistent diagnosis	91
	HBA diagnosis	94
Group 1:	Engine	1
	Engine – Crankcase, suspension	10
	Engine – Crankshaft, pistons	13
Group 1:	Engine	1
	Engine – Cylinder head, valve drive	15
	Engine – Lubrication	17
	Engine – Cooling	19
Group 2:	Fuel, exhaust, engine electronics	2
	Fuel supply, control	20
	Exhaust system, turbocharging	21
	Fuel system, electronic injection	24
	Fuel system, K-Jetronic	25
	Exhaust system	26
	Starter, power supply, cruise control	27
	Ignition system	28
Group 3:	Transmission, manual transmission	3
	Clutch, control	30
	Manual transmission – Actuation, housing	34
	Manual transmission – Gears, shafts, int. gearsh.	35
	Final drive, differential, differential lock	39
Group 3:	Transmission, automatic transmission	3
	Torque converter	32
	Automatic transmission – Actuation, housing	37
	Automatic transmission – Gears, control	38
	Final drive, differential, differential lock	39

Group 4:	Running gear	4
	Front wheel suspension, drive shafts	40
	Rear wheel suspension, drive shafts	42
	Wheels, tires, suspension alignment	44
	Anti-Lock Brake System (ABS)	45
	Brakes – Brake mechanics	46
	Brakes – Hydraulics, regulator, booster	47
	Steering	48
Group 5:	Body	5
	Body front	50
	Body center, roof, frame	51
	Body rear	53
	Lids, flaps	55
	Door front, central locking system	57
Group 6:	Body equipment, exterior	6
	Sliding roof	60
	Convertible top, hardtop	61
	Bumpers	63
	Glazing, window control	64
	Exterior equipment	66
	Interior equipment	68
	Passenger protection	69
Group 7:	Body equipment, interior	7
	Linings, insulation	70
	Seat frames	72
	Seat upholsteries, covers	74
Group 8:	Air conditioning	8
	Heating	80
	Ventilation	85
	Air conditioning	87
	Auxiliary air conditioning system	88
Group 9	Electrics	9
	Instruments, alarm system	90
	Radio, telephone, on-board computer, navigation	91
	Windshield wiper and washer system	92
	Lights, lamps, switches exterior	94
	Lights, lamps, switches interior, theft protection	96
Group 9:	Circuit diagrams	9
	Wiring (up to and including the '99 model)	97
Group 9:	Circuit diagrams	9
	Wiring (from the '00 model)	97

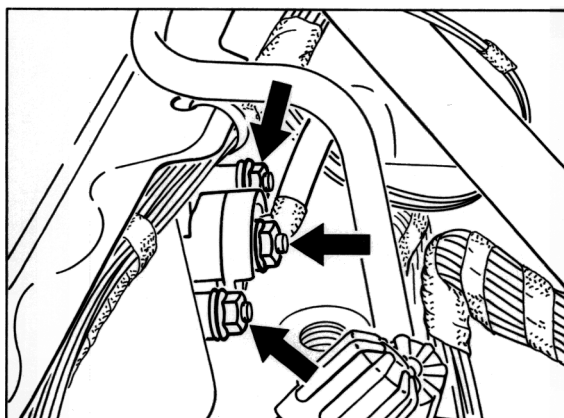
9 Circuit diagrams, part 1 (up to and including '99 model)

97	Wiring	
97 89 19	Removing and installing current distributor	97 · 01
97 92 19	Removing and installing fusible element in the current distributor	97 · 03
97 92	Allocation of free fuse connection points	97 · 05
97	Measurement of closed-circuit current	97 · 07
97 09 41	Repair of main wiring harness	97 · 09
97 25 41	Repair of rear wiring harness	97 · 011
97	Wiring diagram for '97 model Boxster	97 · 1
97	Wiring diagram for '98 model Boxster	97 · 43a
97	Wiring diagram for '99 model Boxster	97 · 91

97 89 19 Removing and installing current distributor

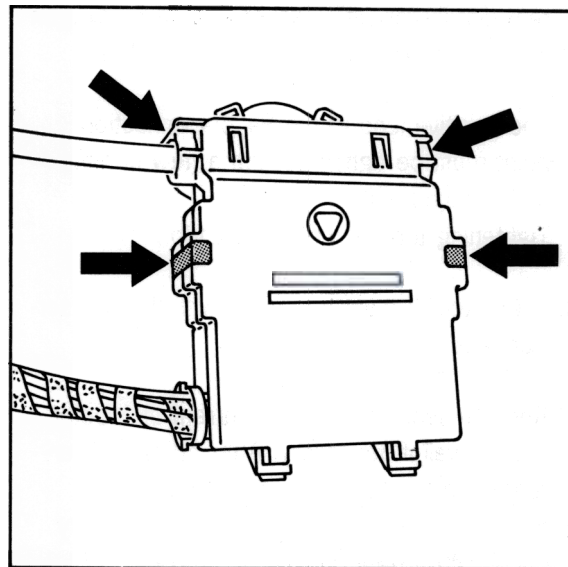
Removal

1. Disconnect battery and cover the terminal or battery.
2. Remove protective cap and undo M 8 fastening nut of the battery cable on the current distributor.
3. Undo both M 8 fastening nuts on the current distributor and lower the current distributor from the firewall into the passenger's footwell.



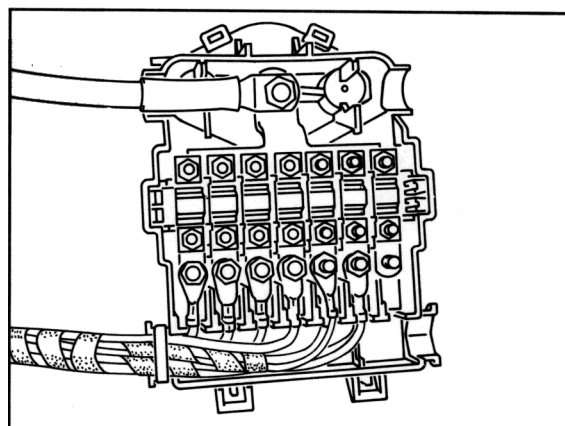
113 - 96

4. Before removing the outer lid, remove the two sealing labels. Open and disengage the outer lid.



646/1 - 96

5. After marking the allocation of the vehicle electrical system leads to the associated fusible elements, disconnect the vehicle electrical system leads and the positive lead to the B+ disconnection point.



647 - 96

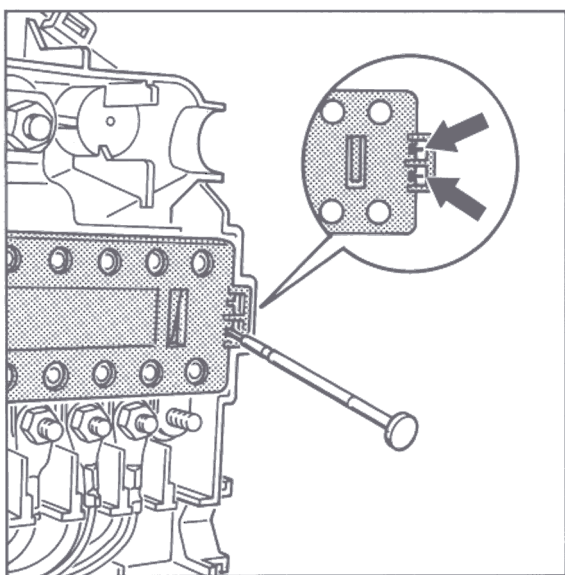
Installation

1. The vehicle electrical system leads must be connected in the correct order to the new current distributor with **new** original M 6 hexagon nuts. Tightening torque: 7 Nm (5.0 ftlb.)
2. The positive lead to the B+ disconnection point must be tightened with a **new** original M 8 hexagon nut.
Tightening torque: 15 Nm (11 ftlb.)
3. The outer lid must be sealed with the two service labels (red).
4. Replace seal between the current distributor and firewall if necessary. After fitting the current distributor on the firewall (tightening torque: 15 Nm (11 ftlb.)), fasten the battery cable with a **new** original M 8 hexagon nut.
Tightening torque: 15 Nm (11 ftlb.)
5. As it is essential to observe the tightening torques for the hexagon nuts, these values are stamped into the inner lid. The original repair set "current distributor" is available as a spare part.

97 92 19 Removing and installing fusible element in the current distributor

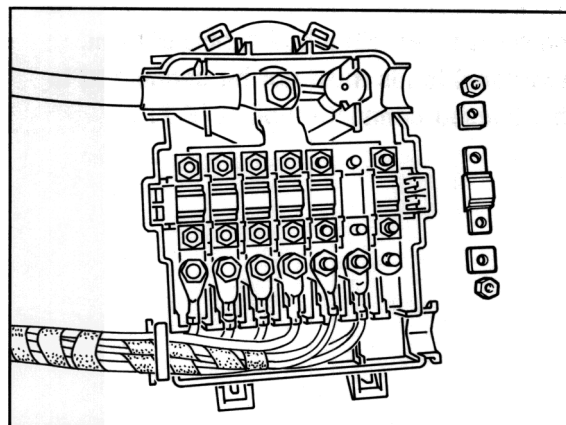
Removal

1. Remove current distributor as described up to step 4 in Repair Group 97 - 01.
2. After removing the outer lid, remove the inner lid. To do this, sever the four locking tabs by inserting a small screwdriver through the opening slots.



648/1 - 96

3. Take off inner lid and remove the severed locking tabs.
4. Remove the blown fusible element. Remove M 5 hexagon nuts and intermediate layers together with the blown fusible element. These parts must not be used again.



649 - 96

Installation

1. Install new fusible element. The new fusible element and new intermediate layers and M 5 fastening nuts are included in the original repair set "fusible element".
2. Install new original fusible element, intermediate layer and M 5 hexagon nut and tighten. Tightening torque: 3.5 Nm (2.5 ftlb.)
3. The **blue** service inner lid is engaged after installation.
4. Engage the outer lid and seal with two service labels (red).
5. Install the current distributor as described as from step 4 in Repair Group 97 - 02.

Free connection point in the current distributor**Note**

The free connection point (F 7) in the current distributor is fused with a 50-A fusible element.

Additional loads must not be connected to this unused connection point (F 7).

97 92 Allocation of free fuse connection points

Note

Additional loads must not be connected to the existing "free" fuse locations in the fuse box.

One exception is fuse D 10 (see wiring diagram, connection point retrofit max. 5 A).

The load on the fusible elements in the current distributor was carefully set during development. Connecting additional loads could lead to an overload in the current distributor or to disturbances in the vehicle electrical system.

If an external load is to be retrofitted nevertheless, it must be connected directly to B+ and fused accordingly (series fuse). The wiring can be routed into the passenger compartment through the service opening in the firewall (closed behind the battery with a rubber sleeve) and with an appropriate seal.

97 Measurement of closed-circuit current

Note

Closed-circuit current should preferably be measured using an analog ammeter (measuring instrument with gauge) or digital multimeter with a long integration time (to filter voltage peaks).

Before measuring the closed-circuit current, determine the vehicle equipment (M-numbers) and ascertain the expected closed-circuit current with the aid of the attached table.

Preparations on the vehicle

Open the front luggage compartment. Using a suitable tool, close lower part of the luggage compartment lock whilst keeping the luggage compartment lid open. This tool may consist of the upper part of the lock, to which a handle is screwed. Remove the ignition key and lock vehicle with the remote control (the alarm system is then primed).

Connect measuring instrument:

To retain the radio code or PCM code the following procedure is recommended.

1. Set the measuring instrument to the highest possible current-measuring range.
2. With two alligator clips, connect the measuring instrument to the battery ground and to the unoccupied second body ground which is always available for RHD and LHD versions.
3. Remove ground strap from the body secure against contact with the body. The entire vehicle current now flows through the ampmeter.

Measurement:

1. Select a measuring range which ensures that the pointer of the instrument is in the upper third of the scale, as far as possible. Switch over measuring range without interruption. Read off the measuring range only when **30 minutes** have passed since the vehicle was locked.
2. As the closed-circuit current does not flow in a uniform manner, a tolerance must be allowed for slightly pulsating fluctuations in the displayed measured value (see note).
3. Compare the displayed measured value with the value previously determined with the aid of the equipment list. Differences of 20 % are possible due to different battery charge conditions or temperatures.
4. After measurement, first screw the ground strap back onto the body. This procedure ensures that the radio code is retained.

Note

If the value of the closed-circuit current is higher than the value determined in the table, the cause must be established.

The recommended troubleshooting procedure is to disconnect the fuses of terminal 30 and the relays one after the other, with the measuring instrument connected. Observe the measuring instrument when removing the fuses, in order to recognise a reduction in current. After troubleshooting, screw the ground strap back onto the body according to specifications.

Caution:

Do not switch on any electrical loads (starting the engine, deactivating the alarm system, and so on) during measurement.

Table of closed-circuit currents

M-number	Designation	Value in mA
Standard	Generator, Motronic, instrument cluster	14
531	Immobilizer/central locking	
651	Power windows, front	
249 Tiptronic	Tiptronic control module (after the battery has been disconnected, terminal 15 must have been connected at least once to the control module).	1
Cabriolet	Power windows, rear, convertible-top control module	3
534 or 535	Alarm system with passenger compartment monitoring and radio remote control	7
537	Seat memory	1
662	Radio or PCM	4
692, 490, 680	CD changer and sound package	
Sum total		(max. 30)
+ 20 % tolerance		(max. 6)
Maximum value		(max. 36)

97 09 41 Repairing main wiring harness

Note

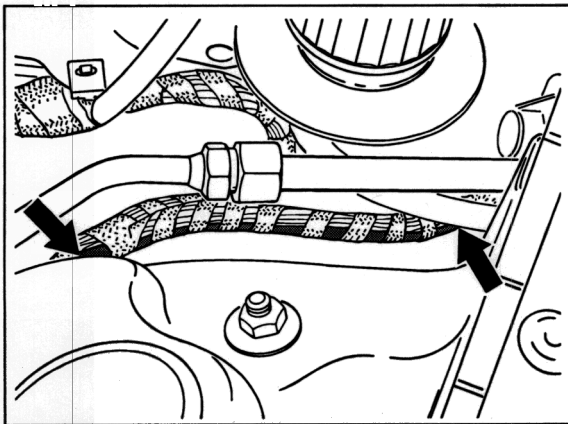
The combination wires for ABS and brake wear indicator are integrated in the wiring harness. In the case of damage, the integrated wires can be cut off and replaced by repair wires. The disconnection points are located at the front left and front right above the radiator tank.

Carry out the following function tests after the repair:

ABS: Test with the Porsche System Tester 2.

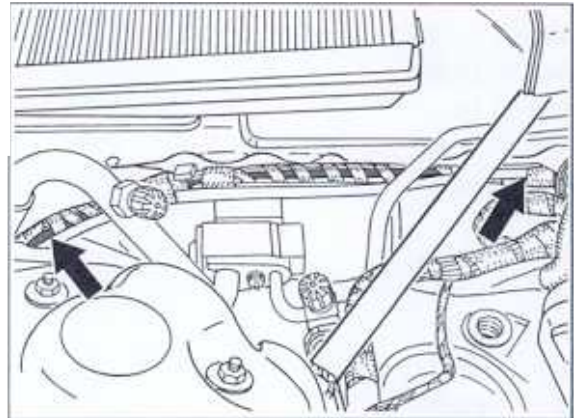
Brake wear indicator: The indicator lamp must go out when the engine is running and the brake pads are intact.

Disconnection point, front left:
Connect wires between arrows with crimp connectors.



159_98

Disconnection point, front right:
Connect wires between arrows with crimp connectors.



158_98

Removal

1. Remove cover over the battery and radiator tank.
2. Disconnect the battery and cover terminal or battery.
3. Remove front wheel housing liner. Undo cable ties in area of the wheel housing and remove the combination wire.
4. Carefully remove insulating tape from the combination wire in the area of the disconnection point, and cut off the old combination wire ahead of the exit point to the wheel housing (do not damage any other wires).

Installation

1. Install repair wire in the wheel housing.
Connect wires according to the table using crimp connectors and crimping pliers (see Workshop Equipment Manual, No. 155 - 1).
2. Colour marking of the left and right sides of the wires:

Wire 1 - bn/gn

Wire 2 - bn/bk

Wire 3 - bn

Wire 4 - bn/bu

Wire 5 - bn/wt

bn - brown

bk - black

bu - blue

wt - white

gn - green

3. Cut wires to length in the disconnection area.

Combination wire		Front-end wire	
Colour	Length mm	Colour	Length mm
bn/bk	20	bn/bk	100
bn/gn	40	bn/gn	80
bn/wt	60	bn/wt	60
bn/bu	80	bn/bu	40
bn	100	bn	20

4. Take care when stripping the wire ends.
Other wires must not be damaged.
5. Slide on the included heat-shrink tubing sections.

6. Slide the large section of heat shrink tubing over all wires.

7. Strip wire ends to a length of 10 mm.

8. Connect wires with crimp connectors.

9. Shrink heat-shrink tubing with a hot-air gun.
Important: all wires must be waterproof.

10. Wrap the entire remaining connection areas with commercially available PVC tape.

97 25 41 Repair – rear wiring harness

Note

The combination wires for ABS and brake wear indicator are integrated in the wiring harness. In the case of damage, the integrated wires can be removed and replaced by repair wires. The disconnection point is plug connector X 2/2 for the passenger compartment/rear end (yellow) or connector points in the rear luggage compartment.

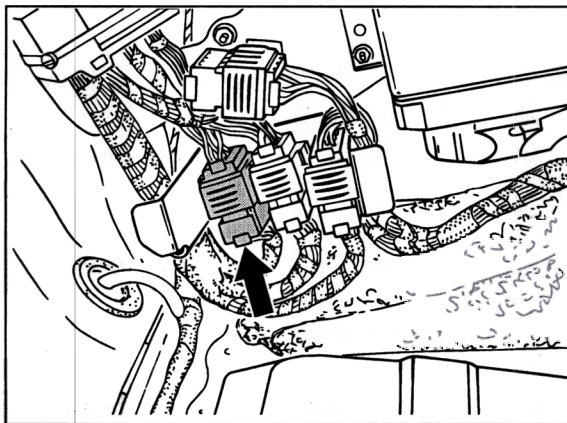
Carry out the following function tests after the repair:

ABS: Test with the Porsche System Tester 2.

Brake wear indicator: The indicator lamp must go out when the engine is running and the brake pads are intact.

Plug connection X 2/2 for the passenger compartment/rear end:

Install prepared contacts or connect wires at the connector points.



161_98

Removal

1. Disconnect the battery and cover terminal or battery.
2. Detach combination wire in the rear wheel housing area. Remove lining for rear wall of the convertible top compartment.
3. Disconnect the plug connections. Detach control module and retaining bracket for the plug connections on the rear wall of the convertible top compartment and expose the combination wire.
4. Carefully remove insulating tape from the combination wire to plug connector X 2/2 (do not damage any other wires).

Installation

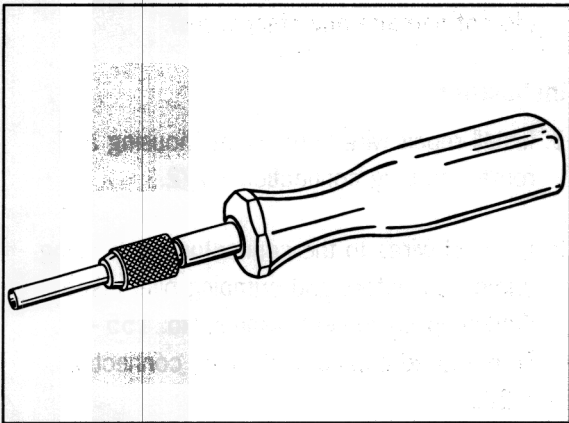
1. Install repair wire in the wheel housing and route it to plug connection X 2/2.
2. Connect wires to the connector points using crimp connectors and crimping pliers (see Workshop Equipment Manual, No. 155 - 1). Fit prepared contacts into plug connection X 2/2.

3. Colour marking of the left and right sides of the wires:

Wire 1 - bn/gn
 Wire 2 - bn/bk
 Wire 3 - bn
 Wire 4 - bn/bu
 Wire 5 - bn/wt

bn - brown
 bk - black
 bu - blue
 wt - white
 gn - green

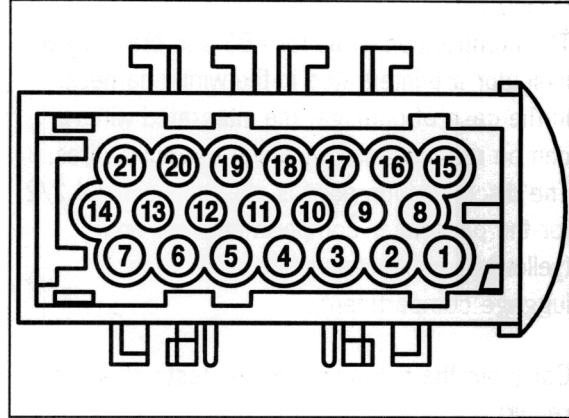
4. Unlocking tool to unlock the old contacts in the plug connection (see Workshop Equipment Manual, No. 155).



164_98

5. Unlock the old contacts of the combination wire with the unlocking tool and remove. Install new contacts of the repair wire at the same positions.

6. Plug connection X 2/2 (yellow)



163_98

7. Combination wire, rear left:

Combination wire for ABS and brake wear indicator in plug connection X 2/2 (yellow)

bn/wt in pin 1 (ABS)

bn/bu in pin 2 (ABS)

bn/bk in pin 3 (brake wear indicator)

Combination wire, rear right:

bn/wt in pin 6 (ABS)

bn/bu in pin 5 (ABS)

bn/bk in pin 4 (brake wear indicator)

8. Ground wires of the combination wires (brown) are identical for the left and right sides. Connector point No. 44 according to wiring diagram.

- Strip wire ends to a length of 10 mm.
- Push on heat shrink tubing.
- Use crimp connectors to connect brown wire of combination wire with brown wire of rear wiring harness.

Shrink heat-shrink tubing with a hot-air gun so that it is waterproof.

9. Brake wear indicator wires of the combination wire (brown/green) are identical on the left and right sides.

Connector point No. 43 according to wiring diagram.

- Strip wire ends to a length of 10 mm.
- Push on heat shrink tubing.
- Use crimp connectors to connect brown/green wire of combination wire with brown/green wire of rear wiring harness.
- Shrink heat-shrink tubing with a hot-air gun so that it is waterproof.

10. Wrap wires with commercially available PVC tape.

Wiring Diagram Boxster Model 97

Coordinates

Sheet 1	1 - 10	Lights RoW
Sheet 2	1 - 10	Lights USA
Sheet 3	11 - 20	Instrument Cluster and Sensor
Sheet 4	21 - 30	Wipe - and Wash Cleaners, Two - Tone Horns, Power Window, Mirror
Sheet 5	41 - 50	Engine Cooling, Heating, Air Conditioning System
Sheet 6	51 - 60	Mirror Adjustment, Seat Heating, Rear Window Defogger
Sheet 7	61 - 70	Convertible Top Drive
Sheet 8	71 - 80	Spoiler Extend
Sheet 9	81 - 90	Central Locks, Alarm System, Interior Monitoring
Sheet 10	91 - 100	Antilock Braking System
Sheet 11	101 - 110	Tiptronic
Sheet 12	111 - 120	Motorelectronic
Sheet 13	121 - 130	Cruise Control, Airbag
Sheet 14	131 - 140	Radio, Telephone
Sheet 15	151 - 160	Power Supply, Fuses
Sheet 16	161 - 170	Ground Points
Sheet 17		Construction Components
Sheet 18		Connectors and Abbreviations
Sheet 19		Welding Point
Sheet 20		Relay Support 1, Relay Support 2
Sheet 21		Fuses

Wiring Diagram Boxster Model 97

The wiring diagram consists of individual wiring diagrams and overview sheets for ground points, components, plugs, connector points, relay holders and fuses. The individual wiring diagrams are divided up into coordinate fields.

The earth/ground points are identified by "GP" and their location is shown in a vehicle diagram.

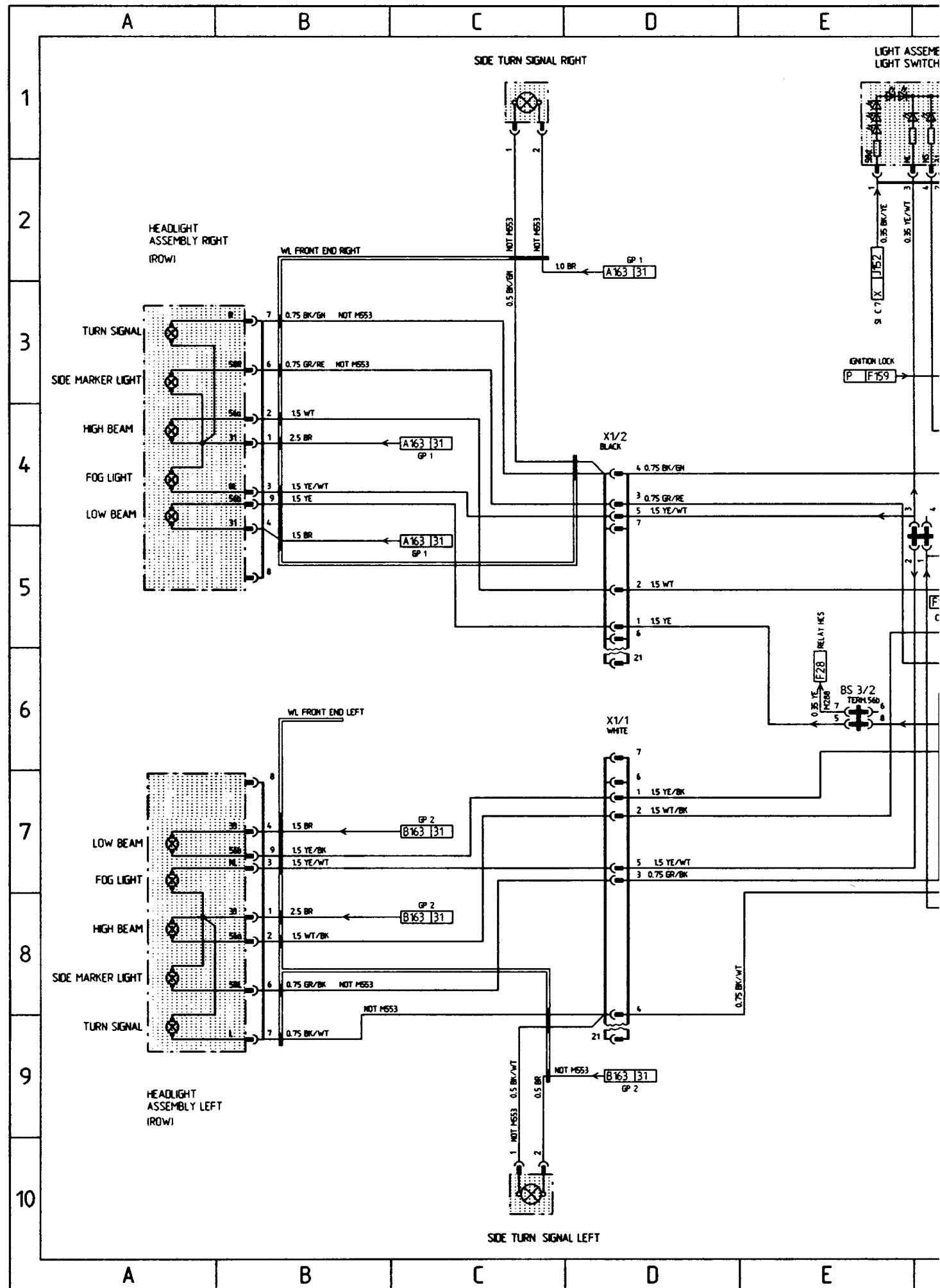
The connectors are identified by an X and a number.

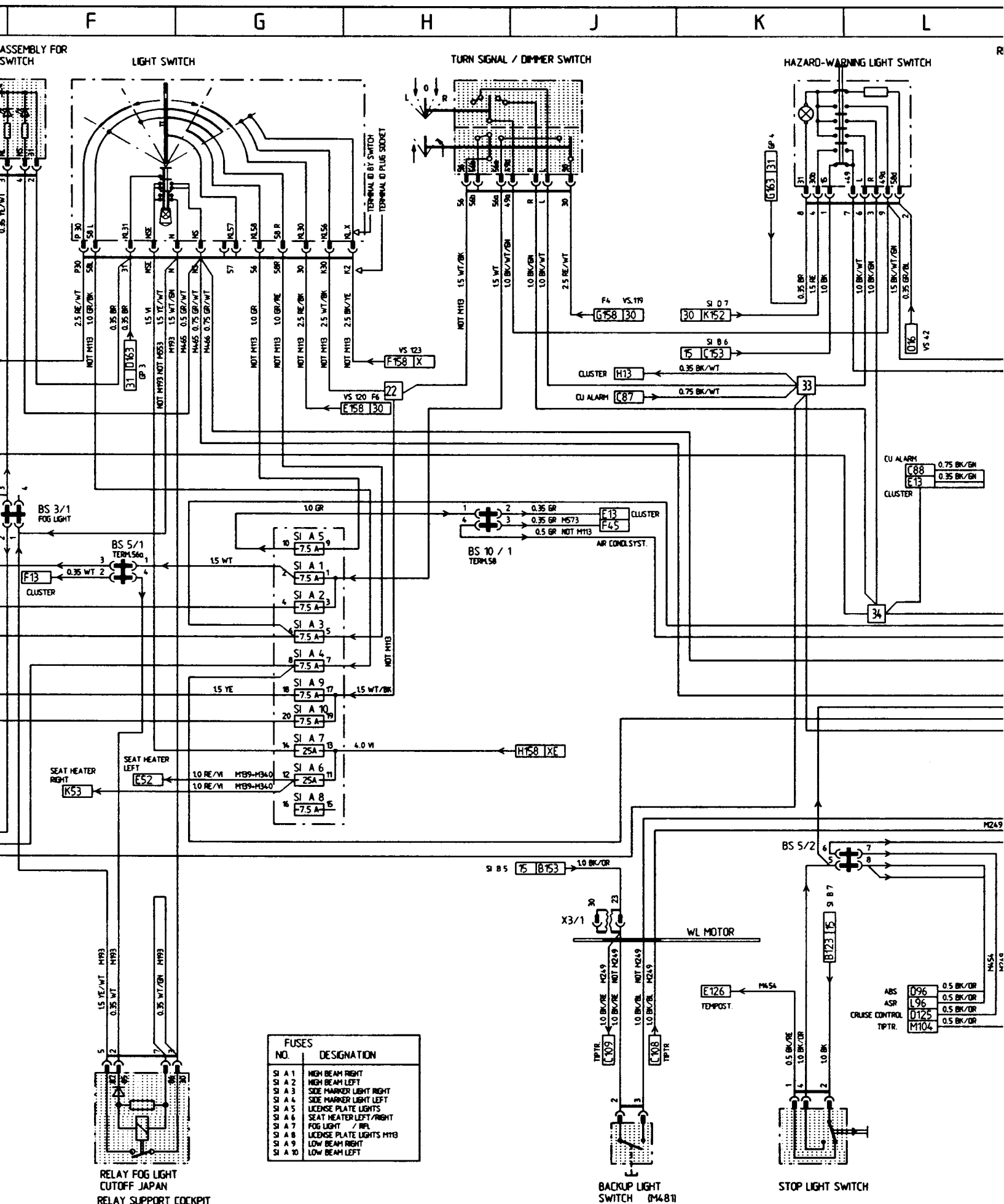
Wherever wires branch to another page, the coordinates and, in certain cases, the terminal markings are indicated.

The feed wire of wire joints and bridge connectors is indicated by an arrow.

Boxster MODEL 97 SHEET 1

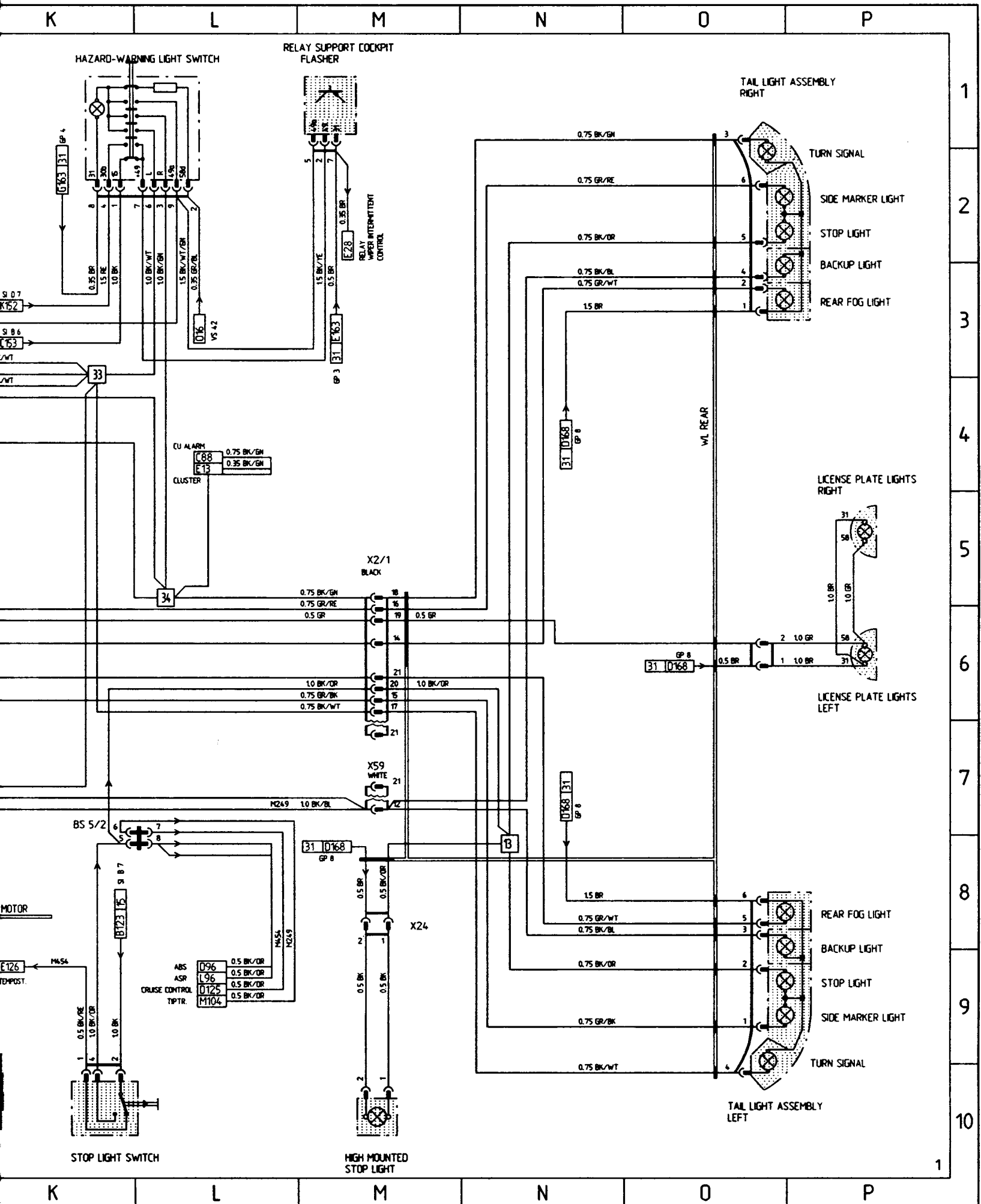
LIGHTS ROW





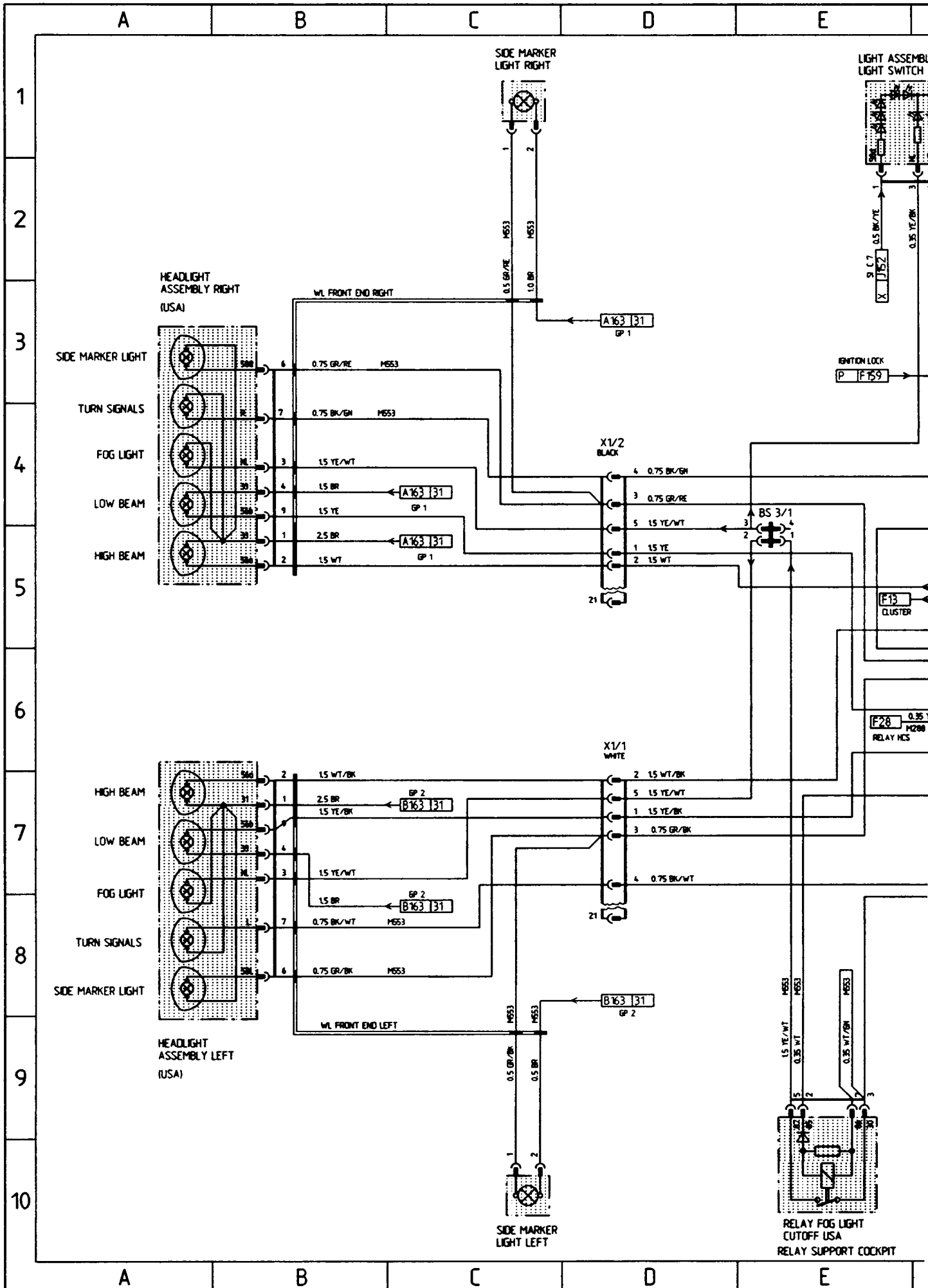
FUSES	
NO.	DESIGNATION
SI A 1	HIGH BEAM RIGHT
SI A 2	HIGH BEAM LEFT
SI A 3	SIDE MARKER LIGHT RIGHT
SI A 4	SIDE MARKER LIGHT LEFT
SI A 5	LICENSE PLATE LIGHTS
SI A 6	SEAT HEATER LEFT/RIGHT
SI A 7	FOG LIGHT / REL
SI A 8	LICENSE PLATE LIGHTS MY13
SI A 9	LOW BEAM RIGHT
SI A 10	LOW BEAM LEFT

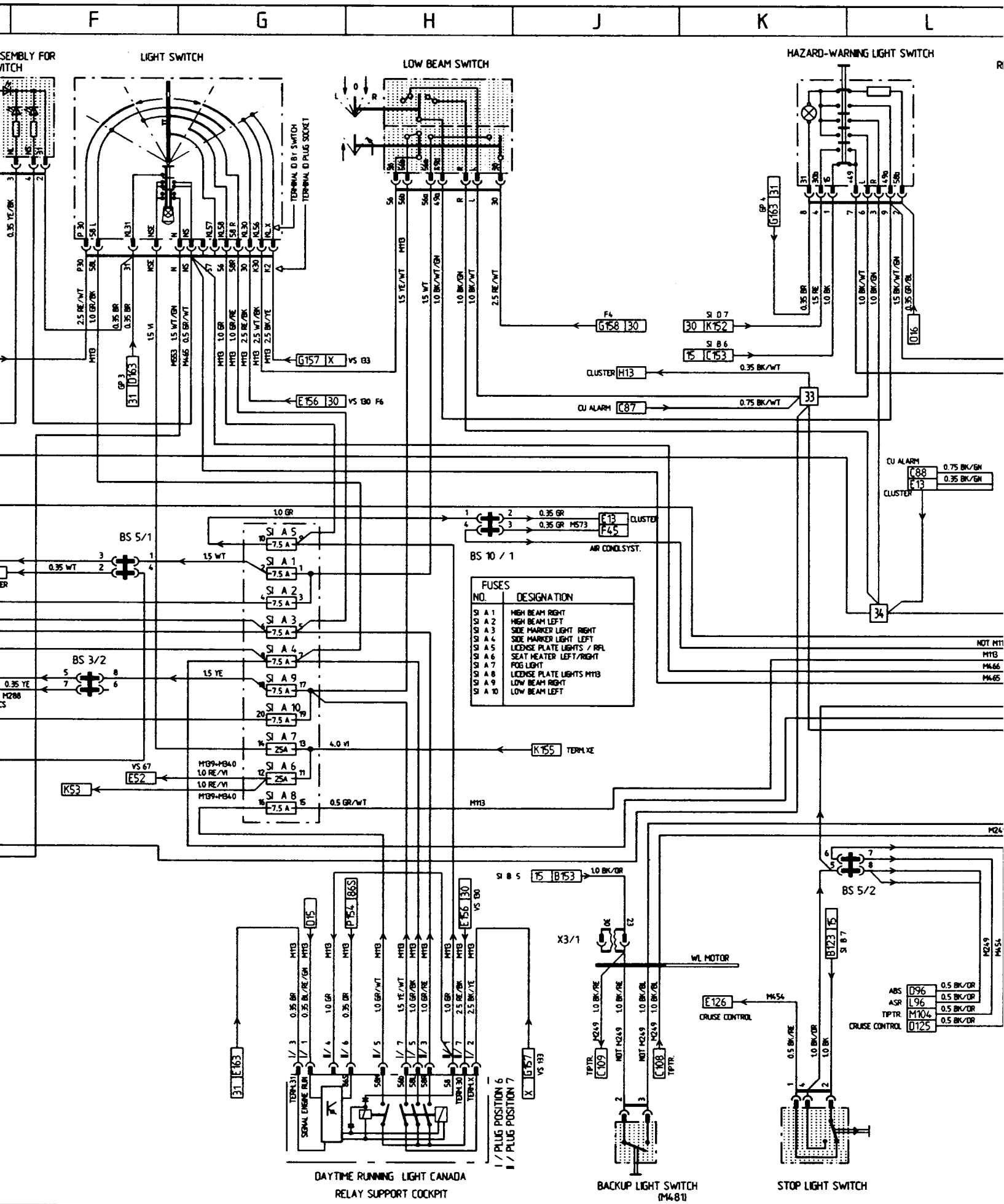
BL = BLUE BR = BROWN YE = YELLOW GN = GREEN GR = GREY PK = PINK RE = RED BK = BLACK VI = VIOLET WT = WHITE



Boxster MODEL 97 SHEET 2

LIGHTS USA





BL = BLUE

BR = BROWN

YE = YELLOW

GN = GREEN

GR = GREY

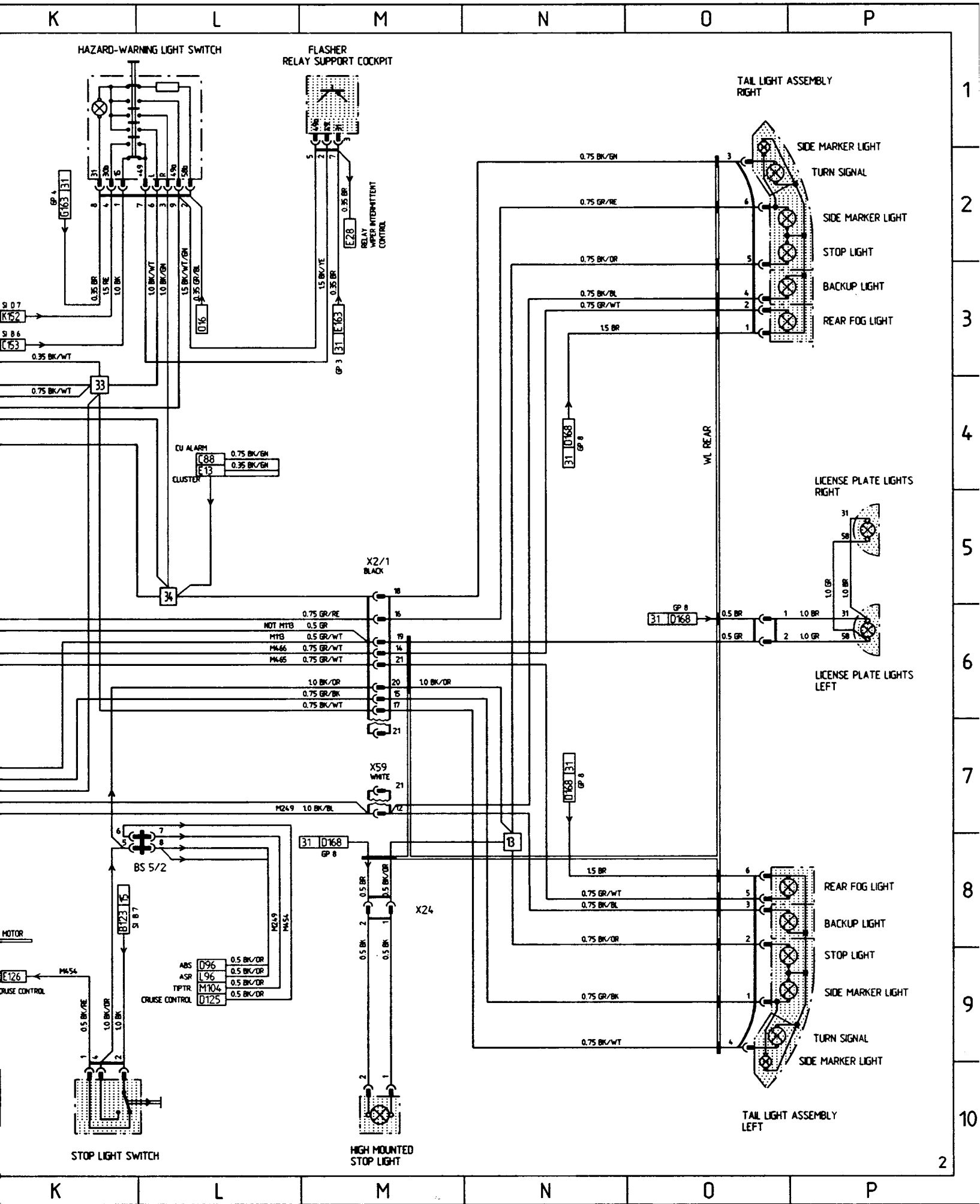
PK = PINK

RE = RED

BK = BLACK

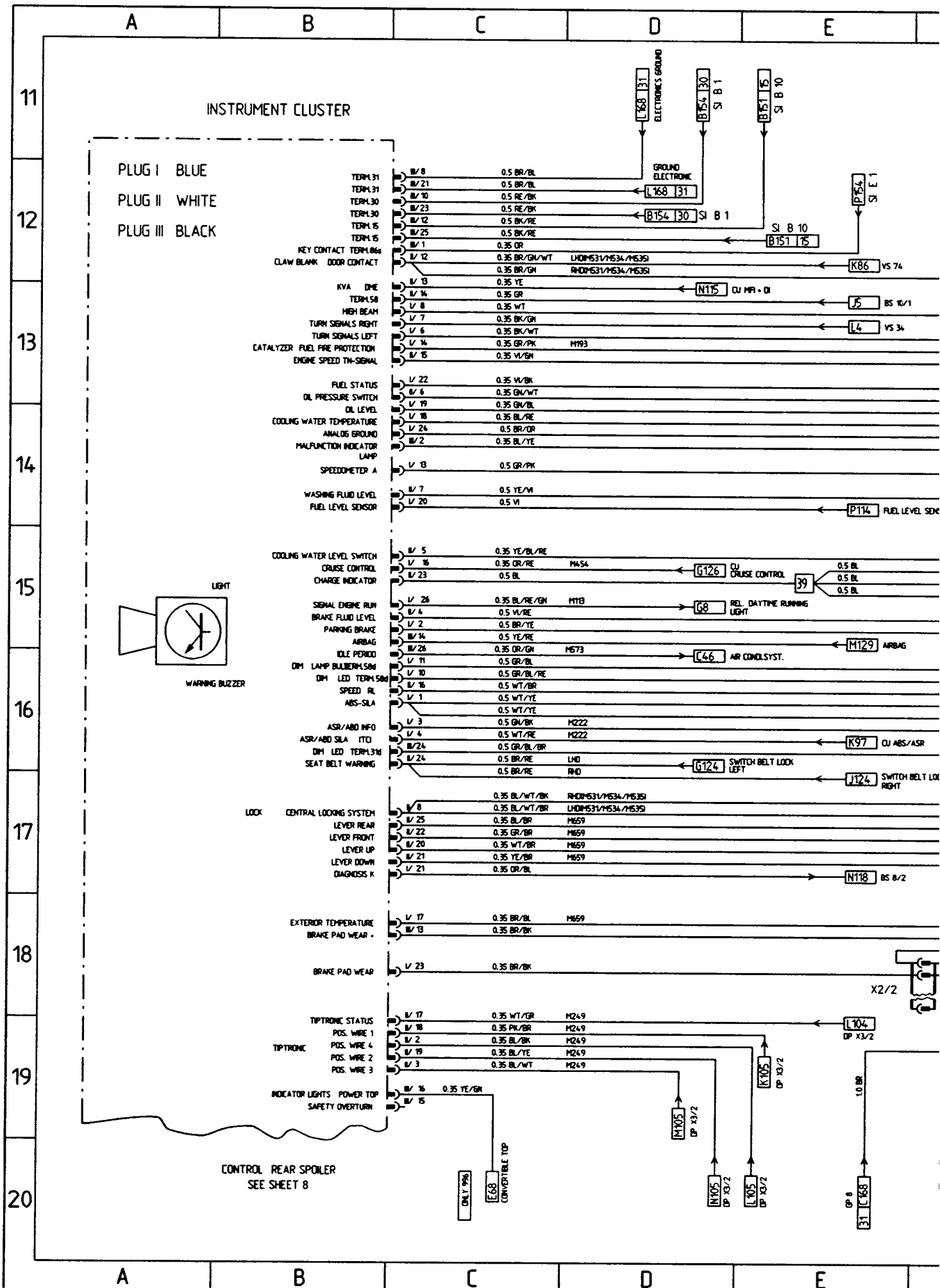
VI = VIOLET

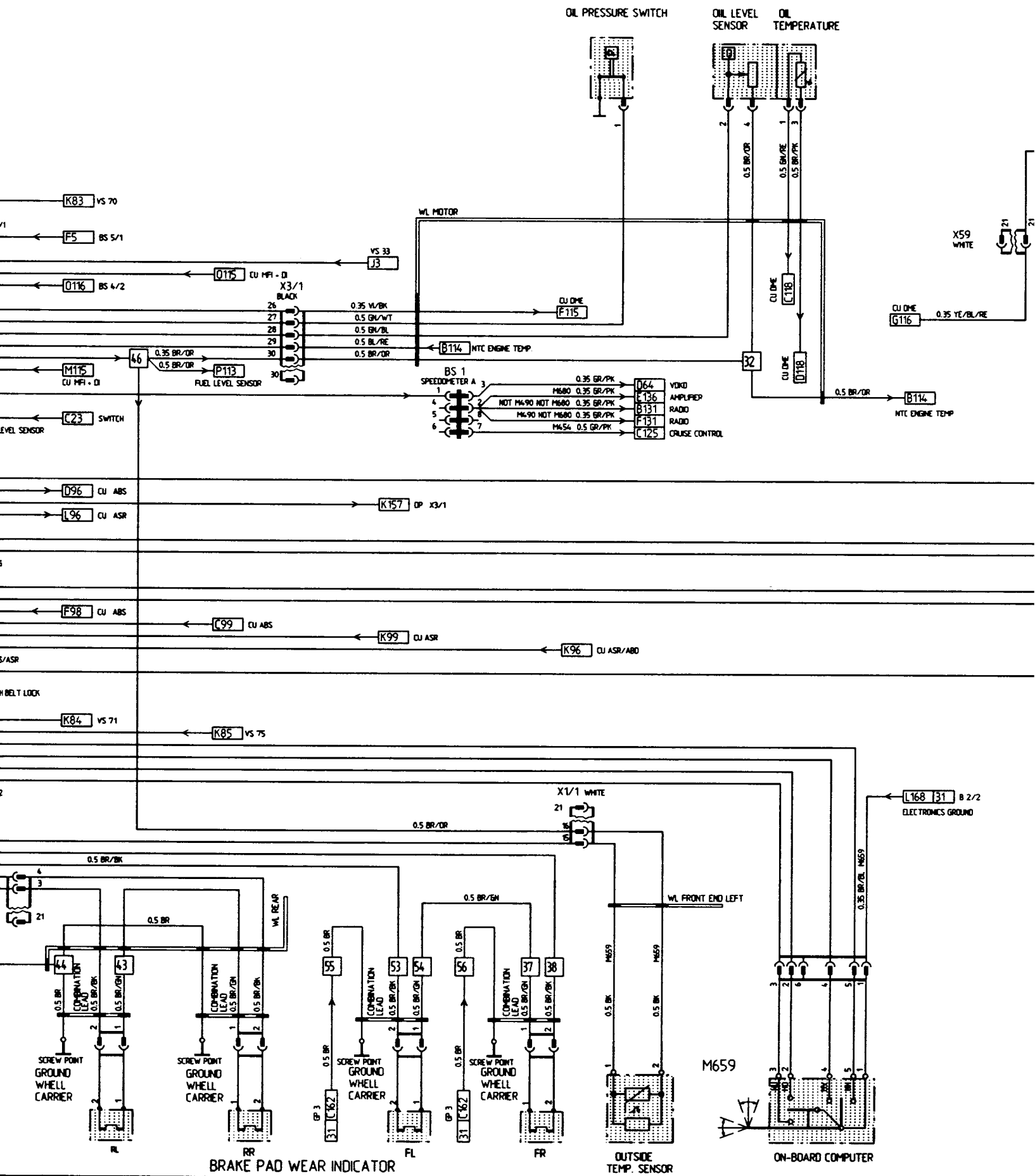
WT =

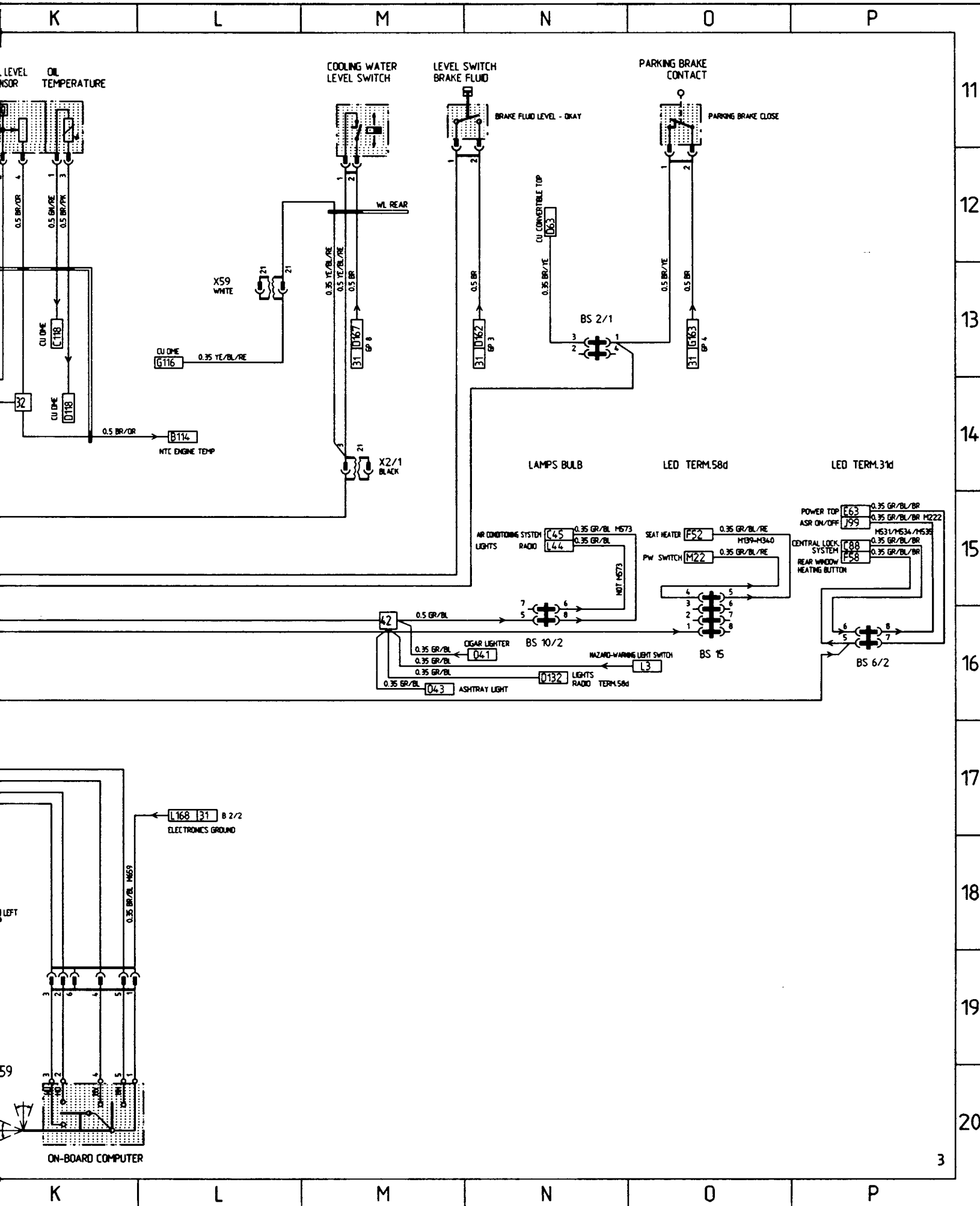


Boxster MODEL 97 SHEET 3

INSTRUMENT CLUSTER AND SENSOR

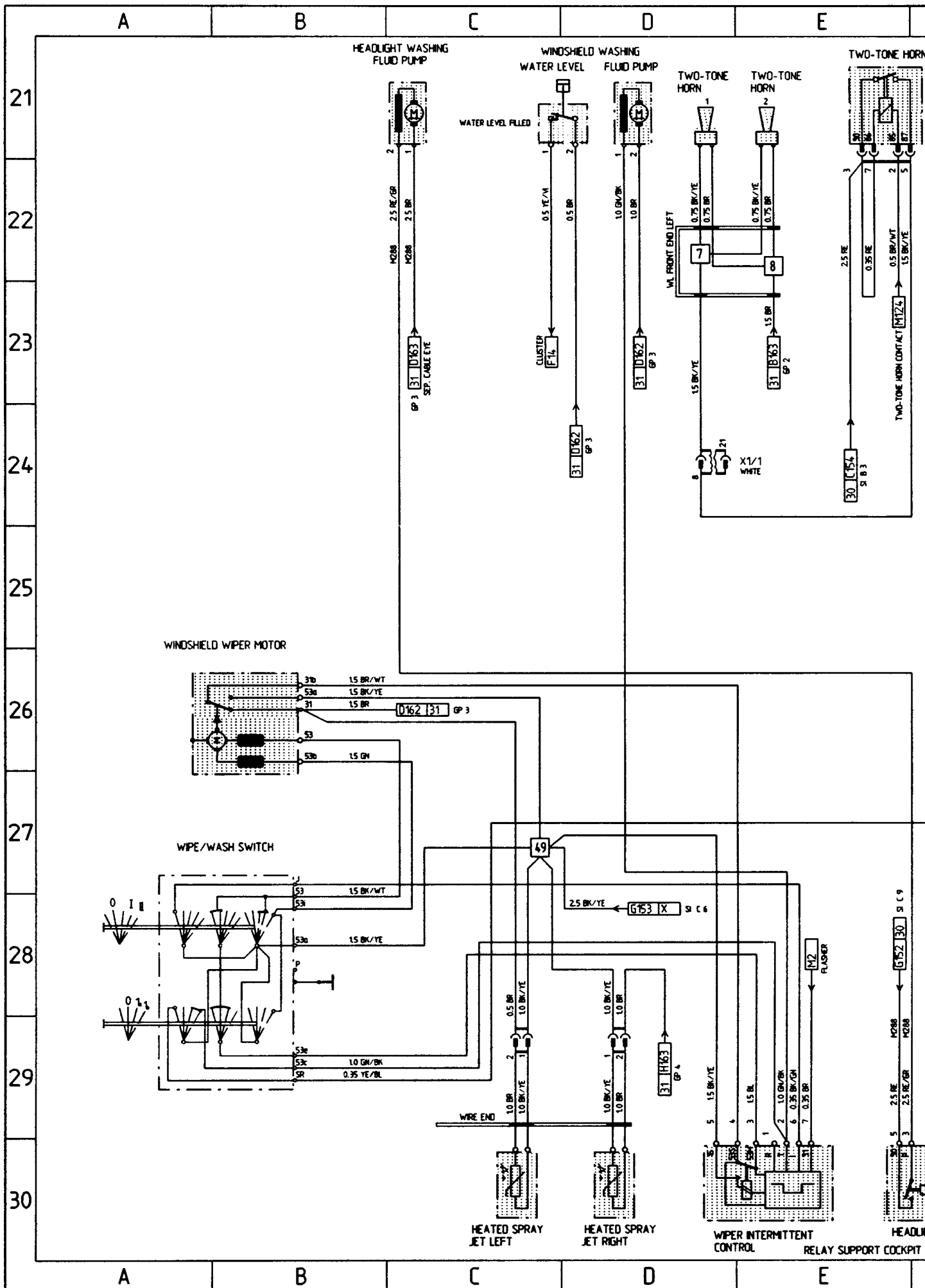






Boxster MODEL 97 SHEET 4

WIPE- AND WASH CLEANERS, TWO-TONE HORNS, POWER WINDOW, MIRROR



F

G

H

J

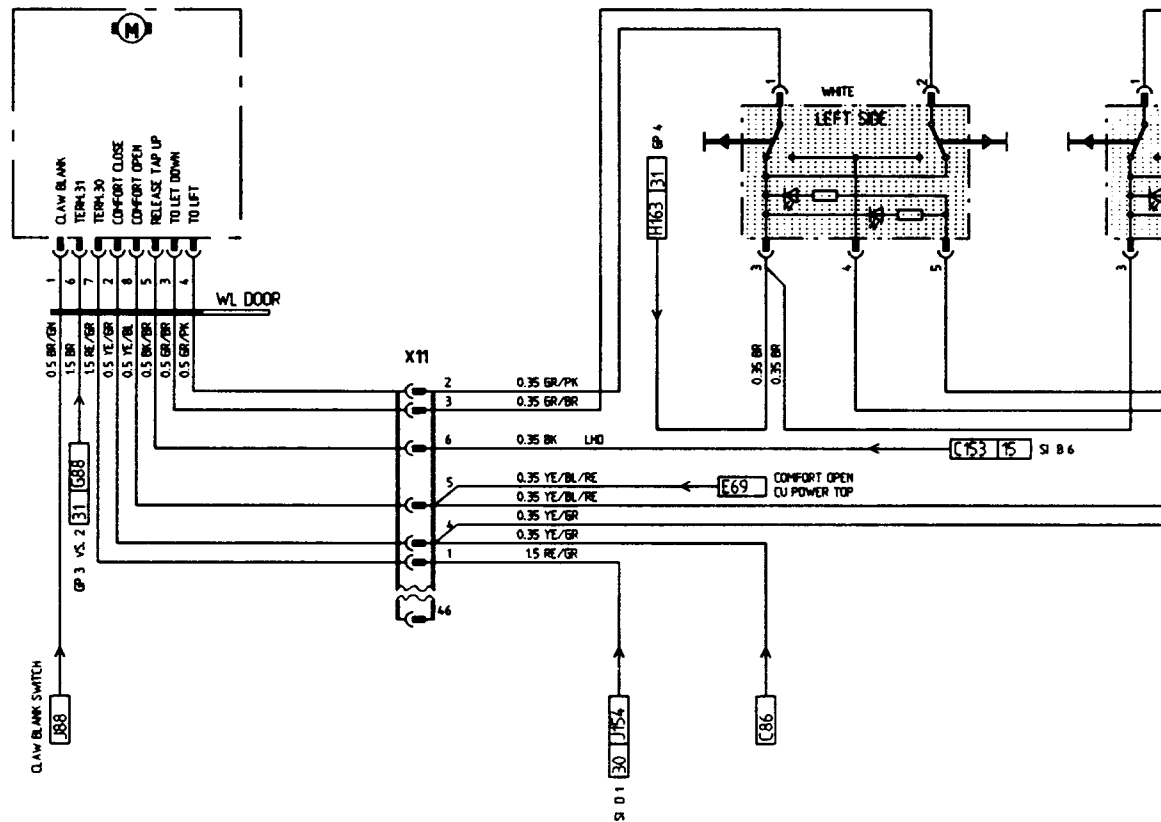
K

L

E HORNS

POWER WINDOWS

POWER WINDOW MOTOR LEFT SIDE



HEADLIGHT CLEANERS

CKPIT

F

G

H

J

K

L

BL = BLUE

BR = BROWN

YE = YELLOW

GN = GREEN

GR = GREY

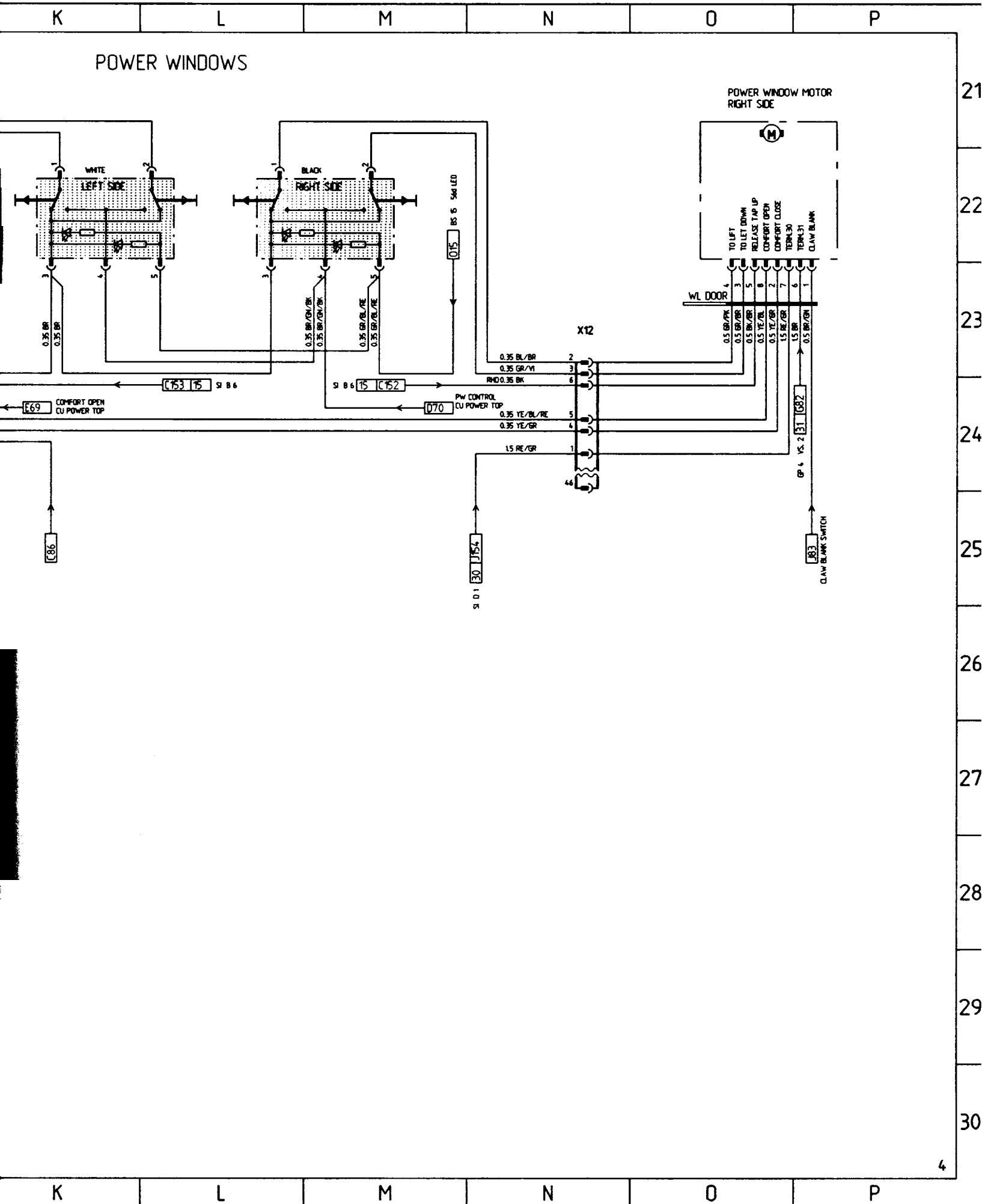
PK = PINK

RE = RED

BK = BLACK

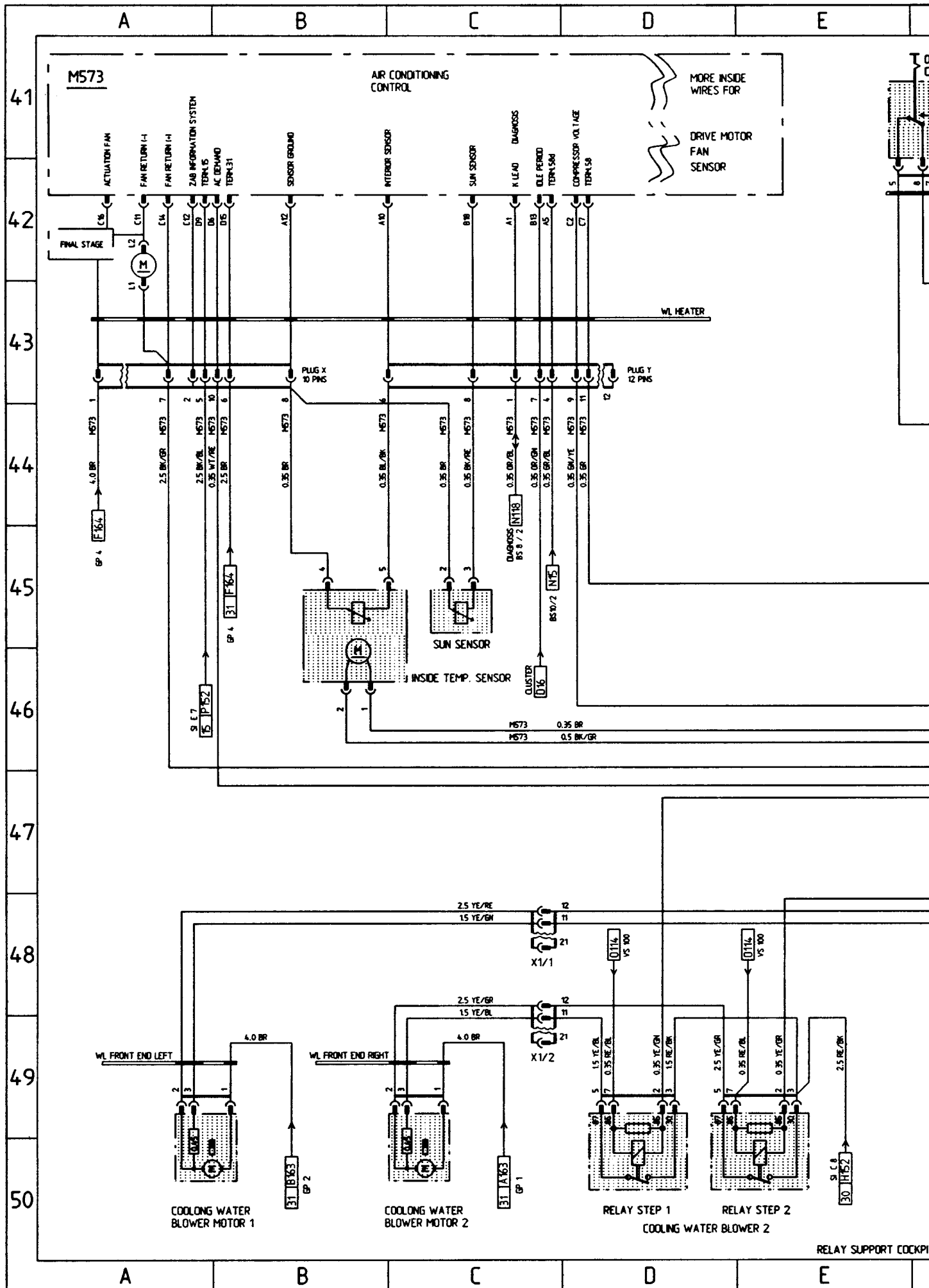
VI = VIOLET

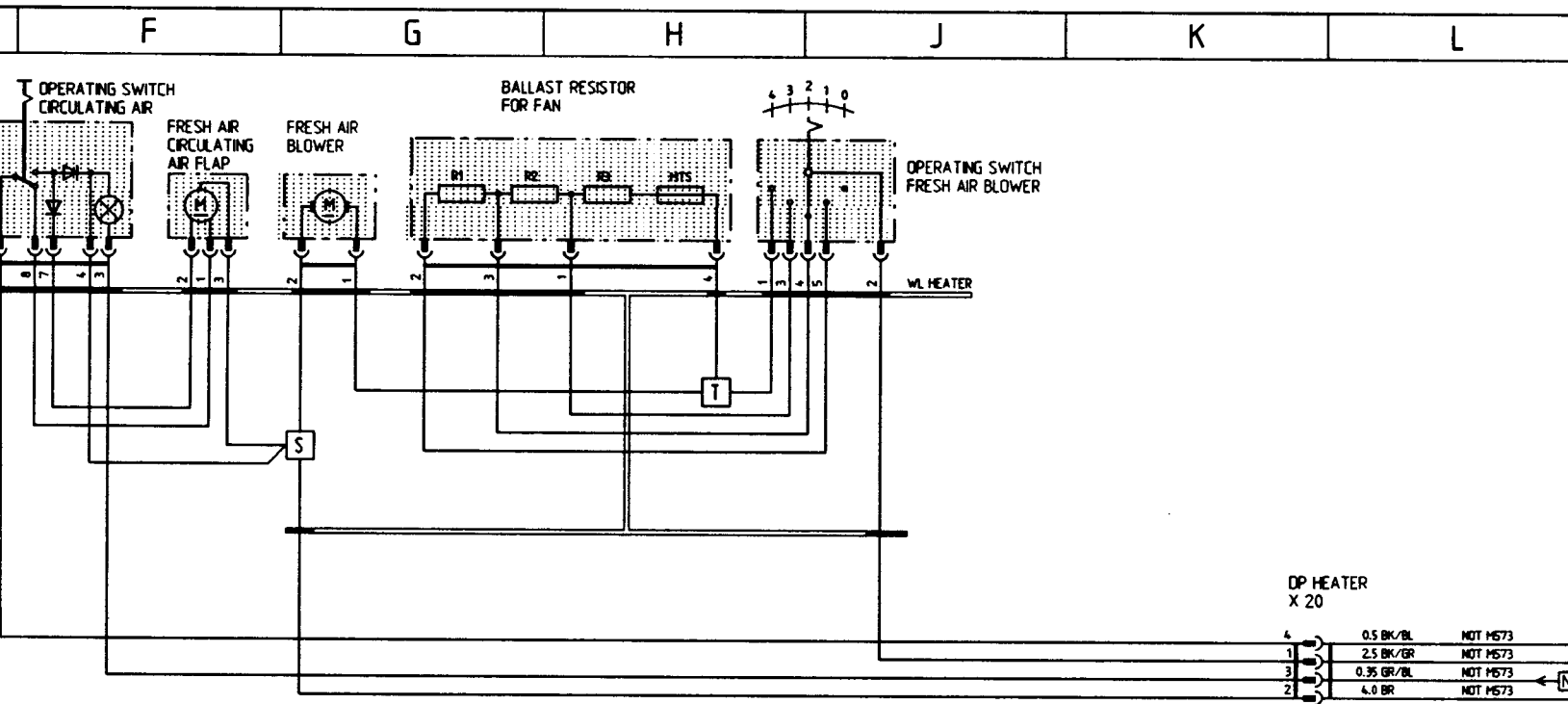
WT



Boxster MODEL 97 SHEET 5

ENGINE COOLING, HEATING, AIR CONDITIONING SYSTEM





J5 BS 10/1

F164 31 GP 4

X2/2 GELB

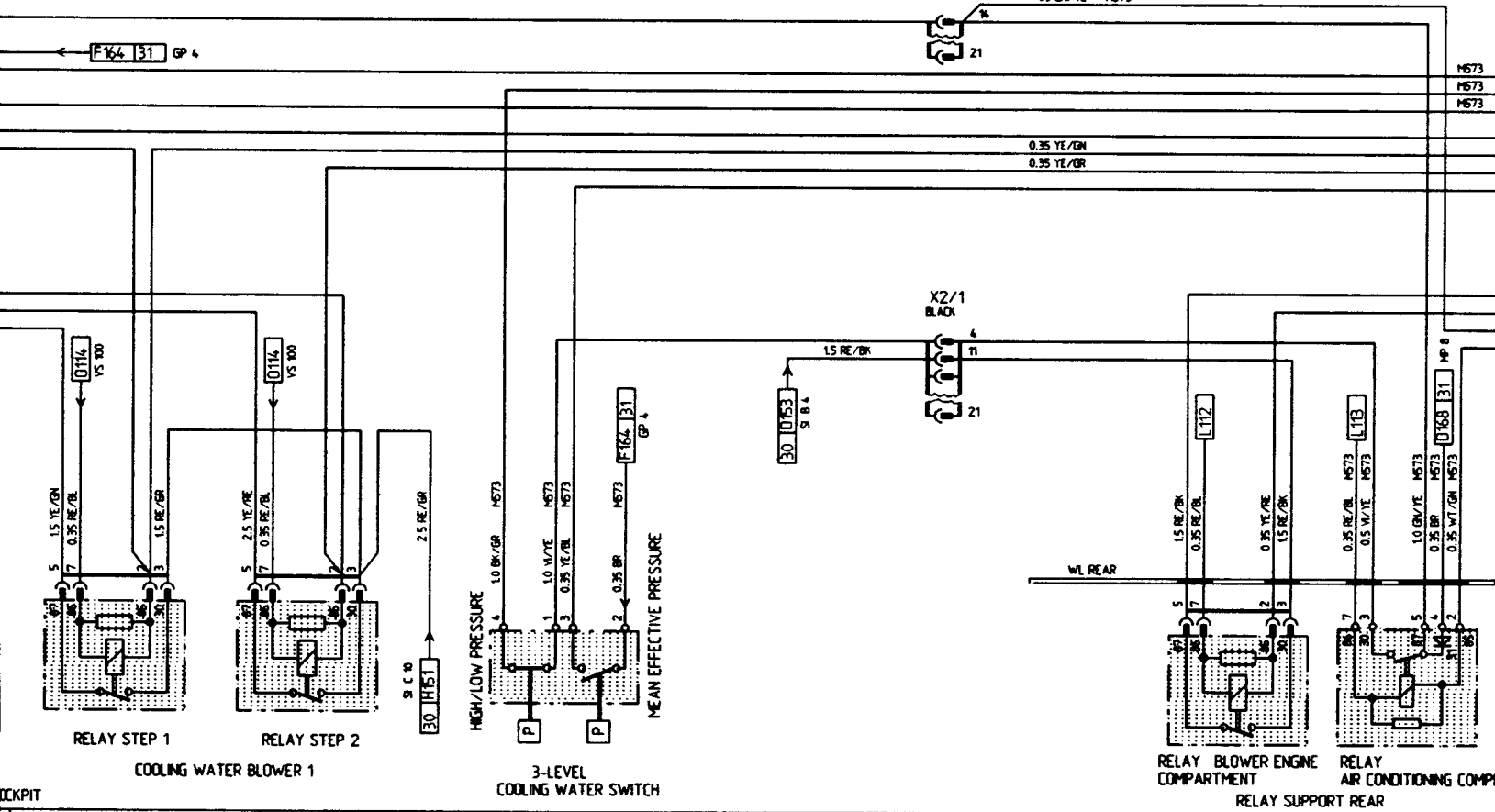
10 GN/YE M573

X2/1 BR GR

15 RE/BK

30 01633 SI BK

WL REAR



M573

M573

M573

M573

M573

M573

M573

M573

M573

M573

M573

M573

M573

M573

M573

M573

M573

M573

M573

M573

M573

M573

M573

M573

M573

M573

M573

M573

M573

M573

M573

M573

M573

M573

M573

M573

M573

M573

M573

BL = BLUE

BR = BROWN

YE = YELLOW

GN = GREEN

GR = GREY

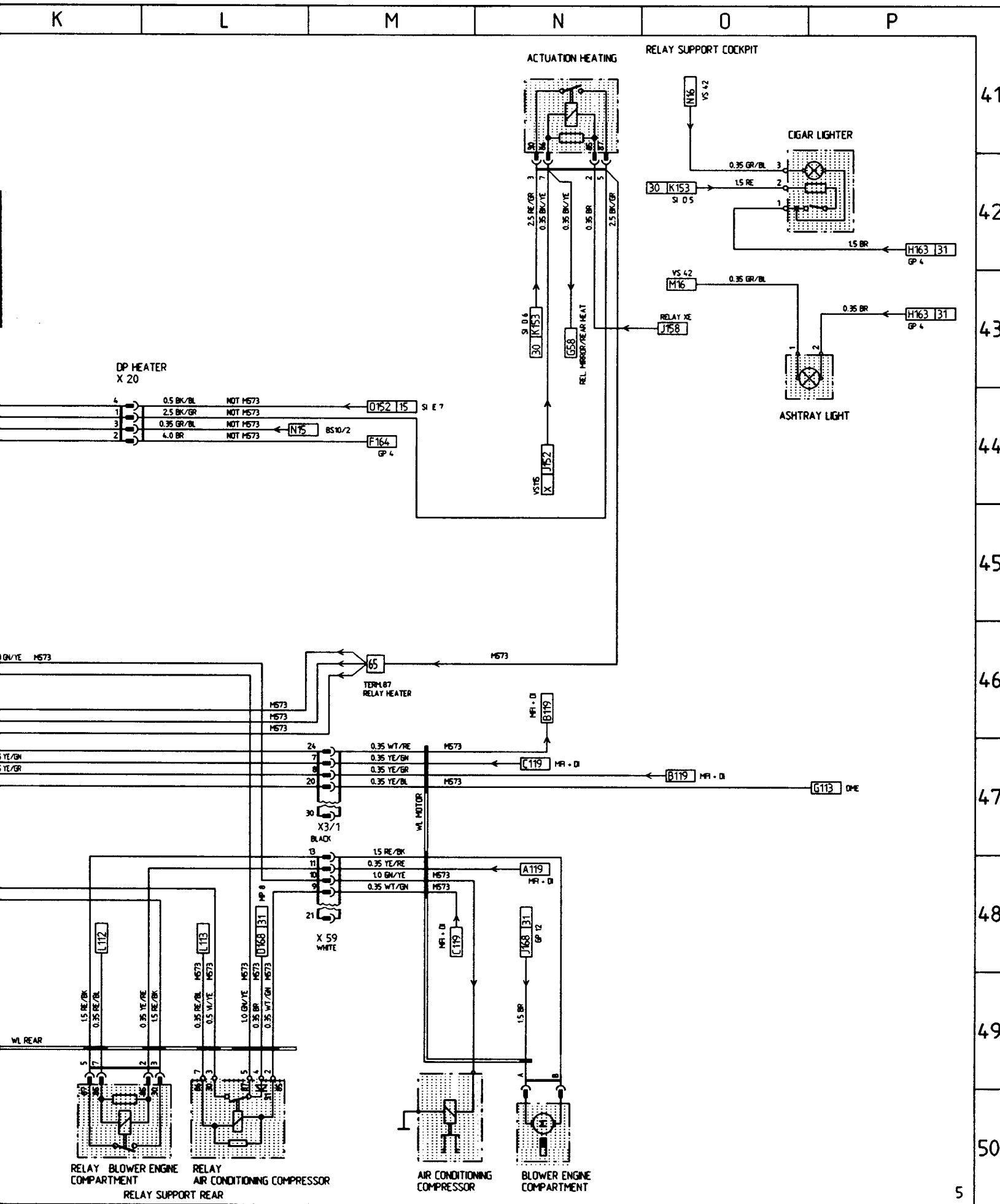
PK = PINK

RE = RED

BK = BLACK

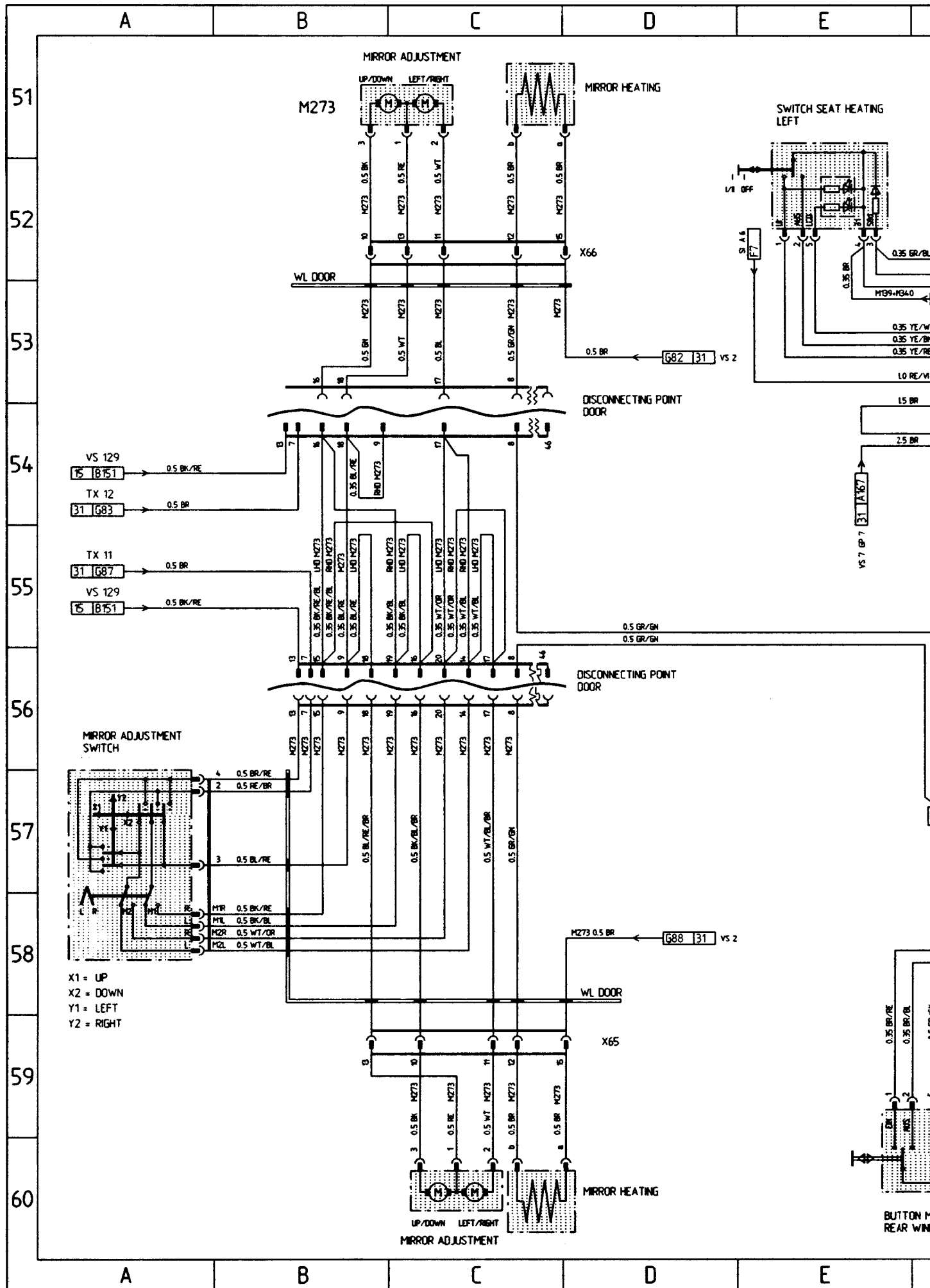
VI = VIOLET

WT

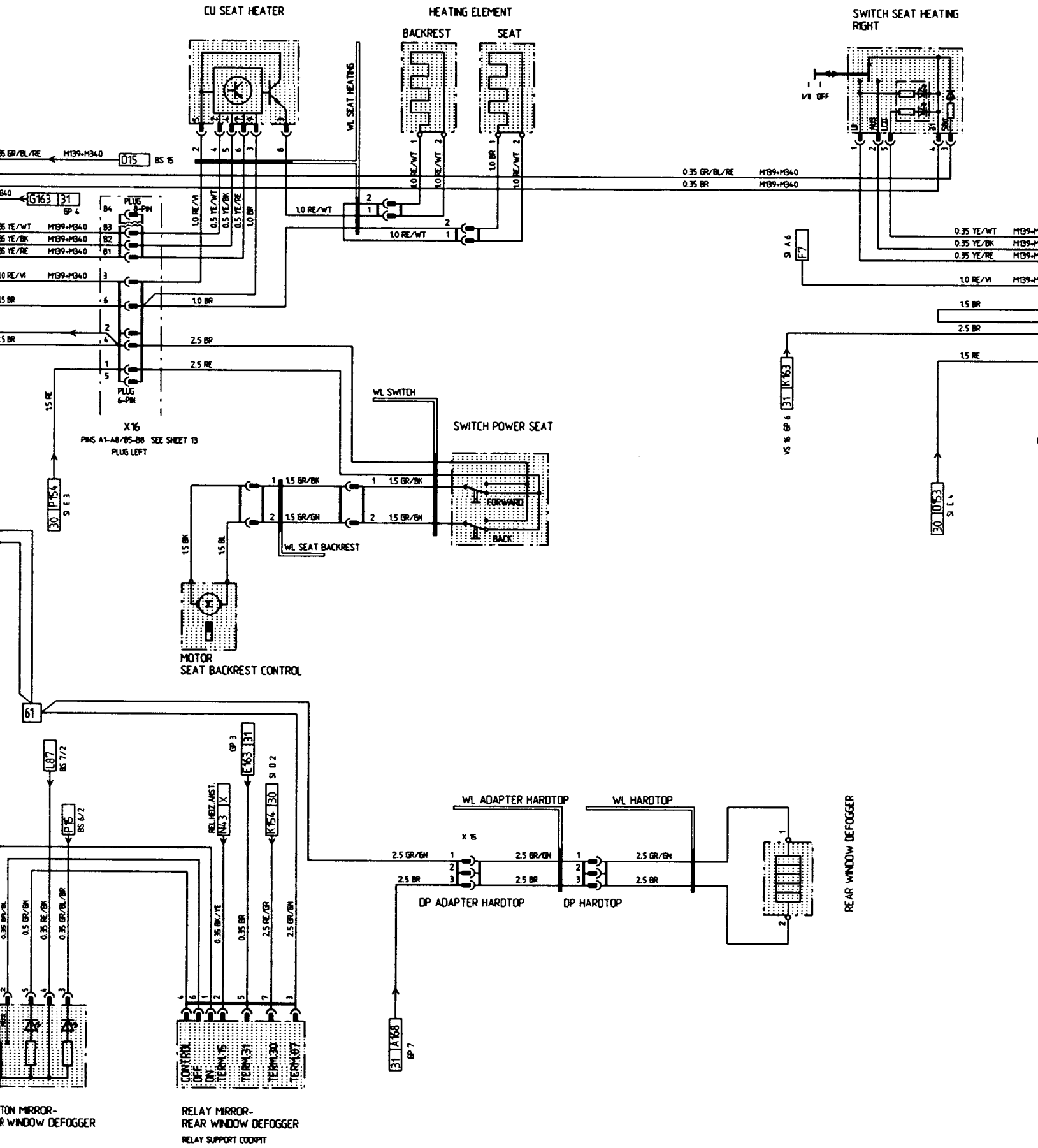


Boxster MODEL 97 SHEET 6

MIRROR ADJUSTMENT, SEAT HEATING, REAR WINDOW DEFOGGER



ADJUSTABLE SEAT HEATING LEFT M139-M340



BL = BLUE

BR = BROWN

YE = YELLOW

GN = GREEN

GR = GREY

PK = PINK

RE = RED

BK = BLACK

VI = VIOLET

WT

K

L

M

N

O

P

ADJUSTABLE SEAT HEATING RIGHT M139-M340

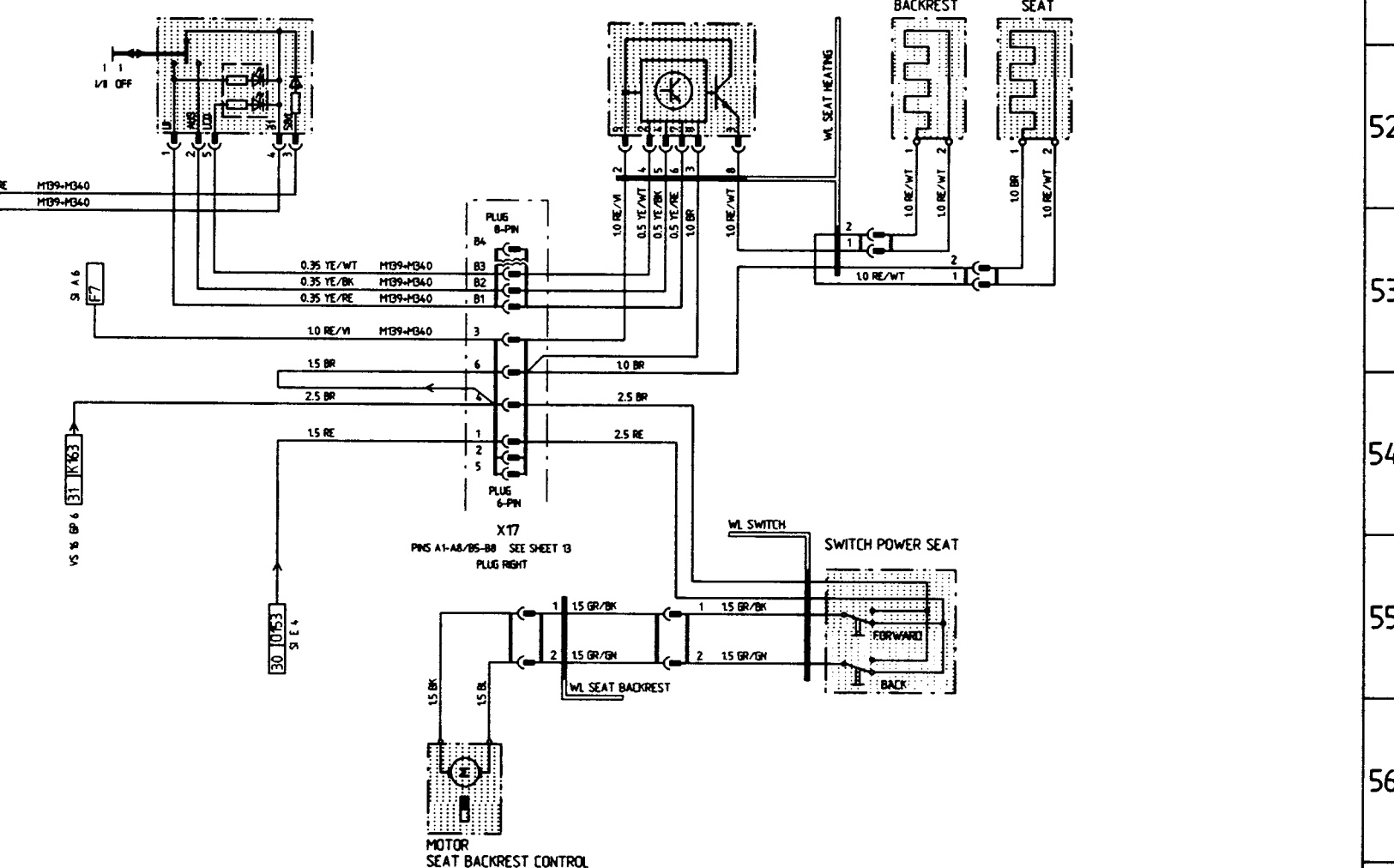
SWITCH SEAT HEATING
RIGHT

CU SEAT HEATER

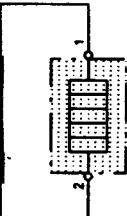
HEATING ELEMENT

BACKREST

SEAT



REAR WINDOW DEFOGGER



51
52
53
54
55
56
57
58
59
60

K

L

M

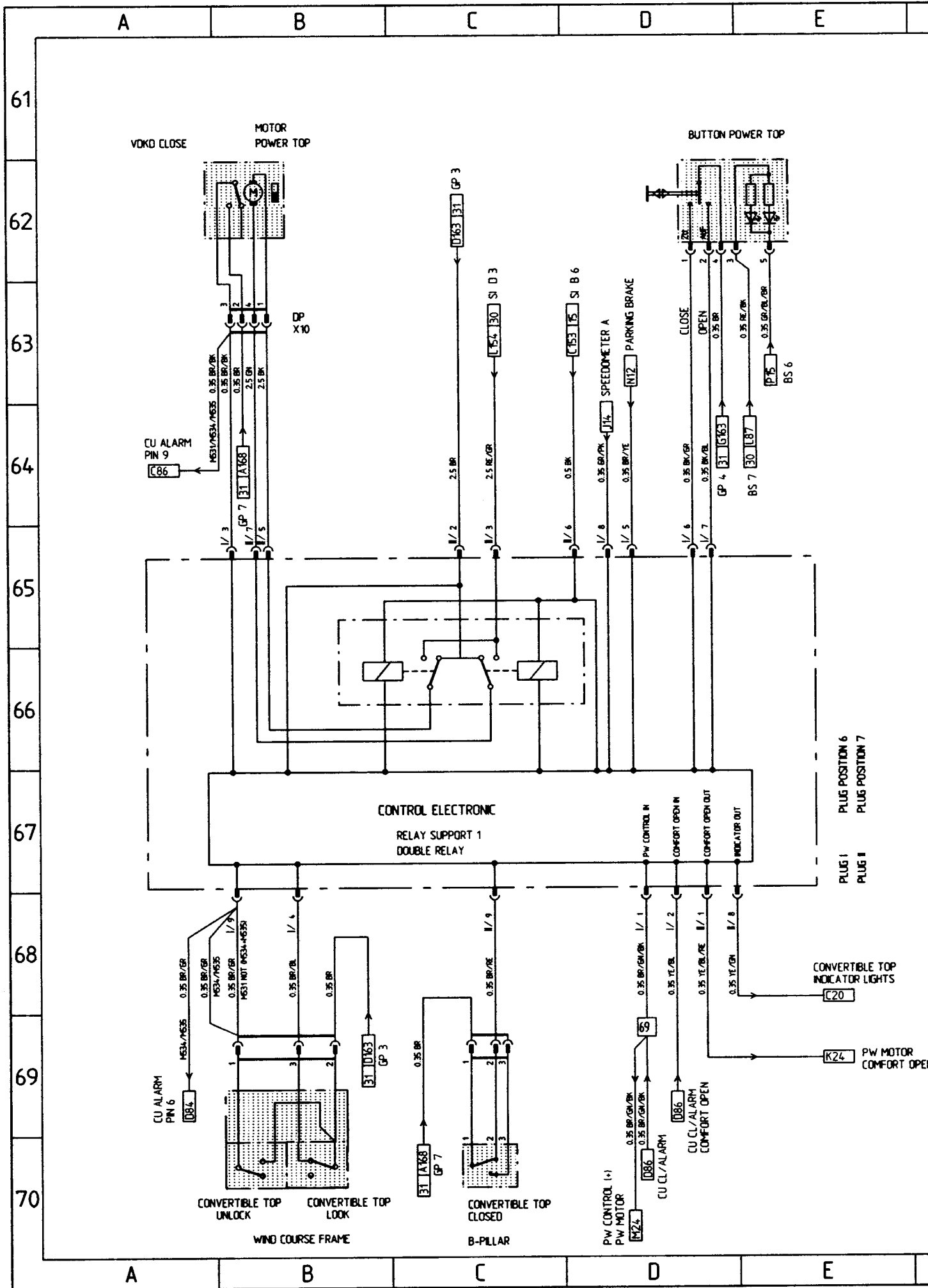
N

O

P

Boxster MODEL 97 SHEET 7

CONVERTIBLE TOP DRIVE



F	G	H	J	K	L
---	---	---	---	---	---

OR
OPEN

F	G	H	J	K	L
---	---	---	---	---	---

BL = BLUE

BR = BROWN

YE = YELLOW

GN = GREEN

GR = GREY

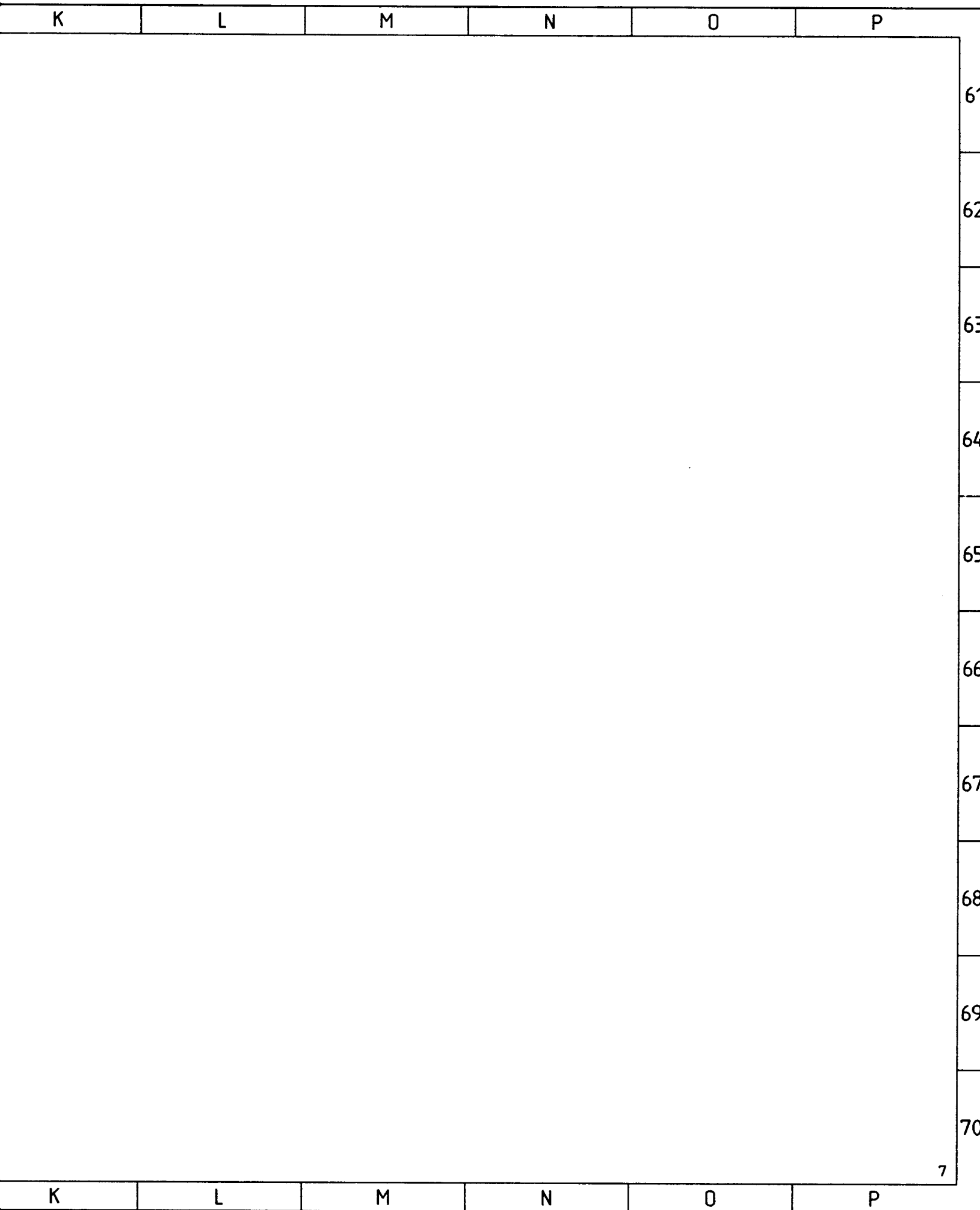
PK = PINK

RE = RED

BK = BLACK

VI = VIOLET

WT



Boxster MODEL 97 SHEET 8

SPOILER EXTEND

	A	B	C	D	E	
71						
72						
73						
74						
75						
76						
77						
78						
79						
80						
	A	B	C	D	E	

F

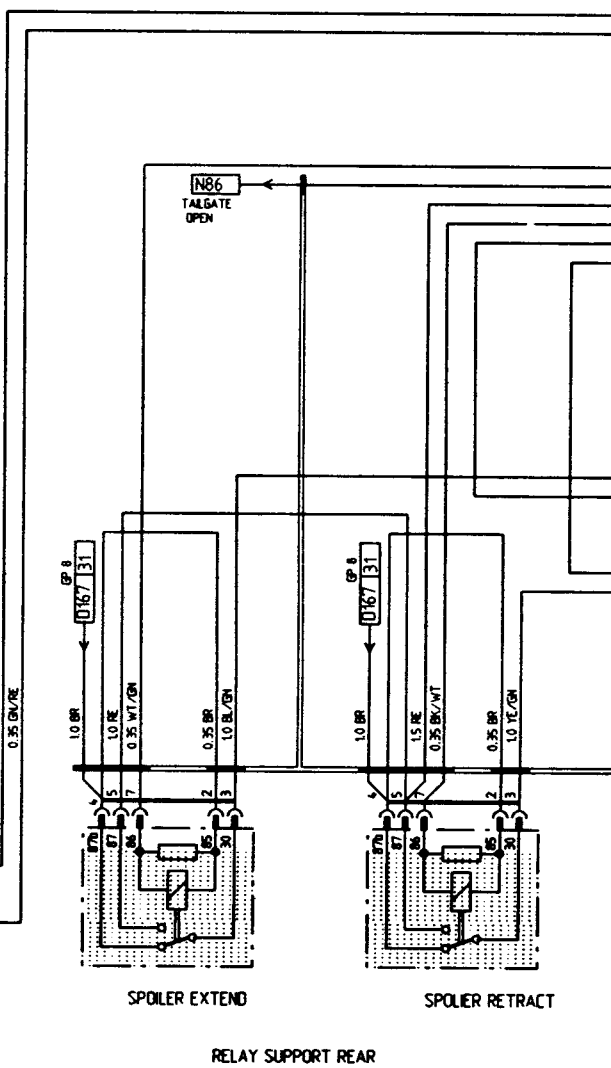
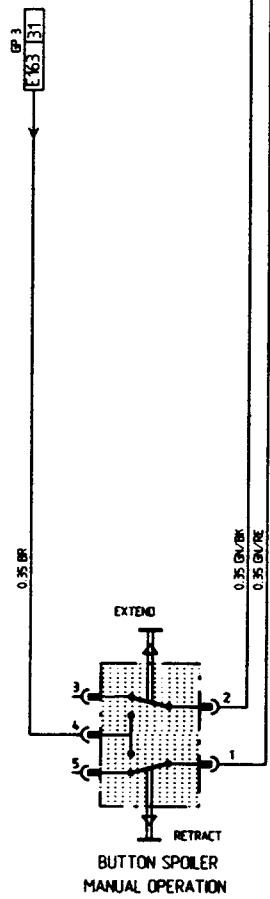
G

H

J

K

L



F

G

H

J

K

L

BL = BLUE

BR = BROWN

YE = YELLOW

GN = GREEN

GR = GREY

PK = PINK

RE = RED

BK = BLACK

VI = VIOLET

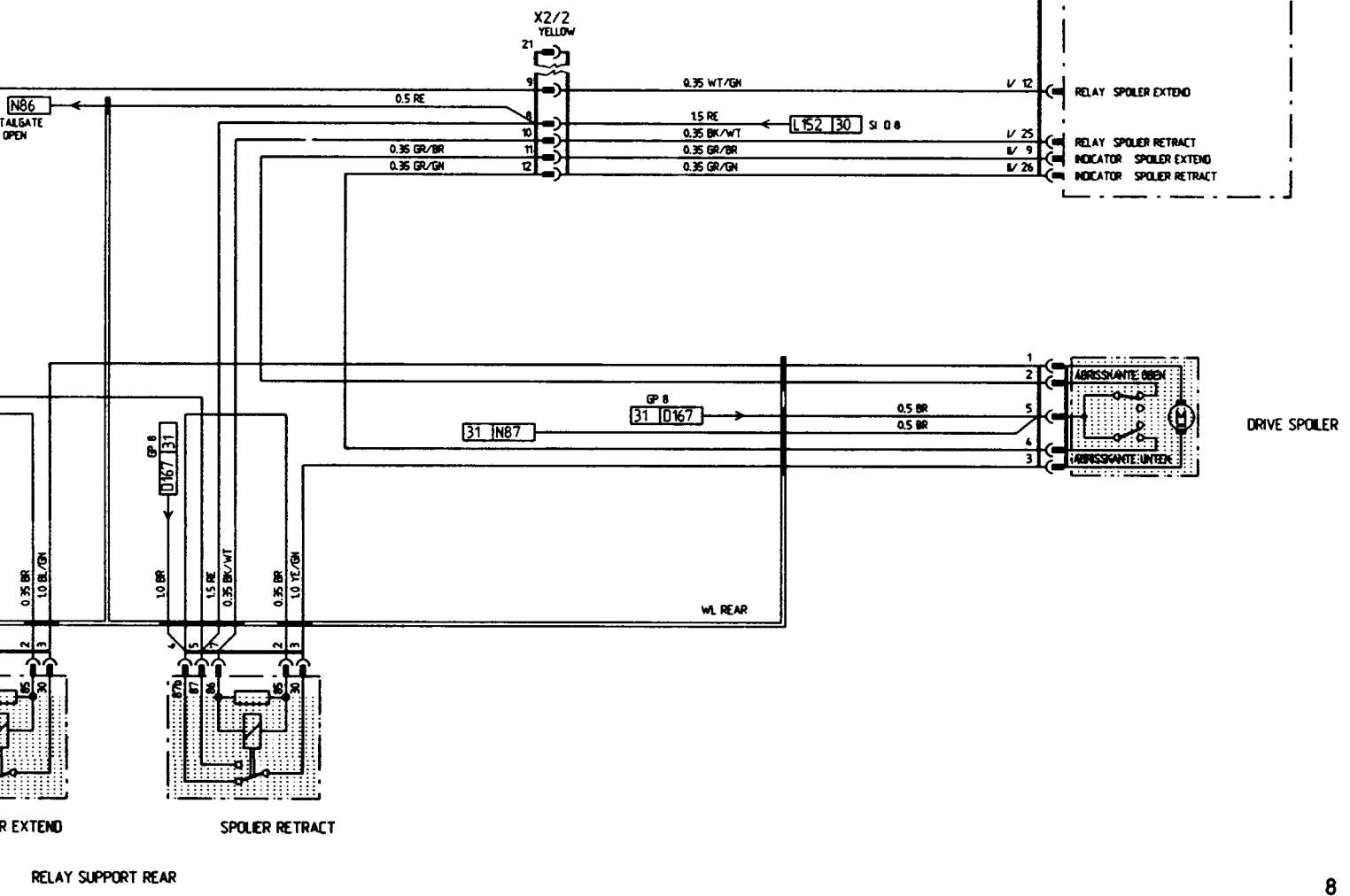
WT =

K L M N O P

INSTRUMENT CLUSTER
SEE SHEET 3

PLUG I	BLUE
PLUG II	WHITE
PLUG III	BLACK

V/ 11	BUTTON SPOILER EXTEND
V/ 10	BUTTON SPOILER RETRACT
V/ 12	RELAY SPOILER EXTEND
V/ 25	RELAY SPOILER RETRACT
V/ 9	INDICATOR SPOILER EXTEND
V/ 26	INDICATOR SPOILER RETRACT

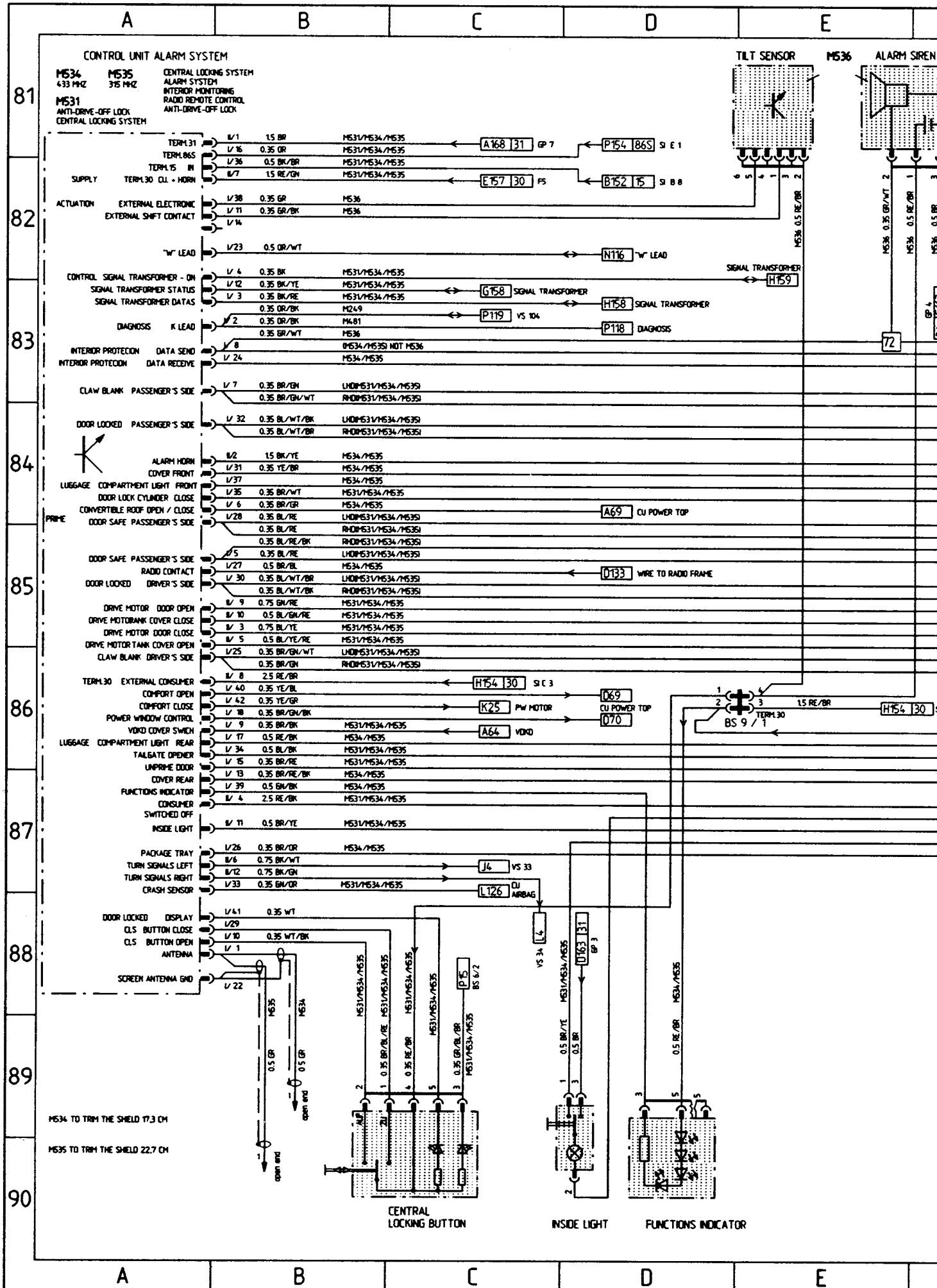


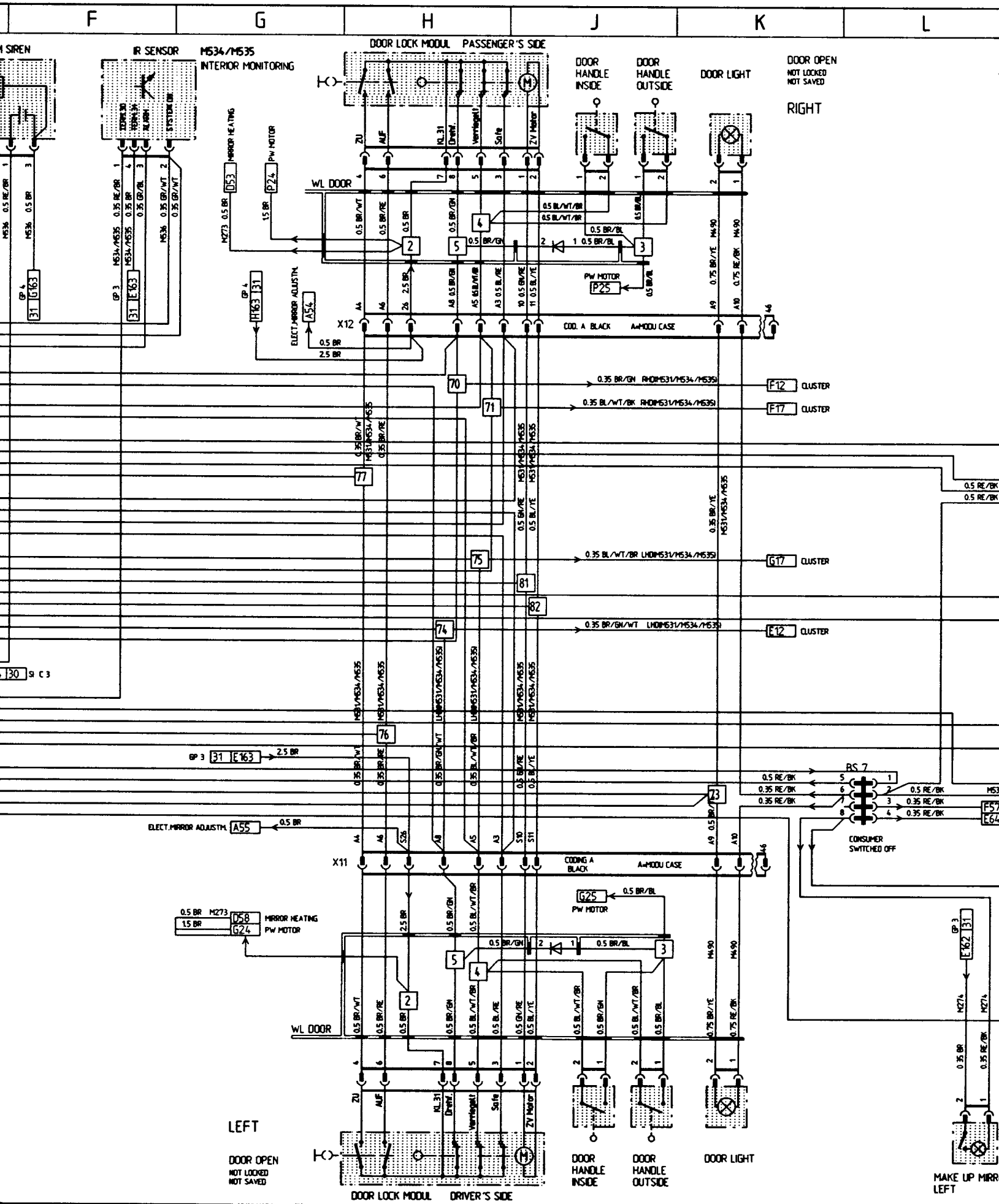
K L M N O P

BK = BLACK VI = VIOLET WT = WHITE

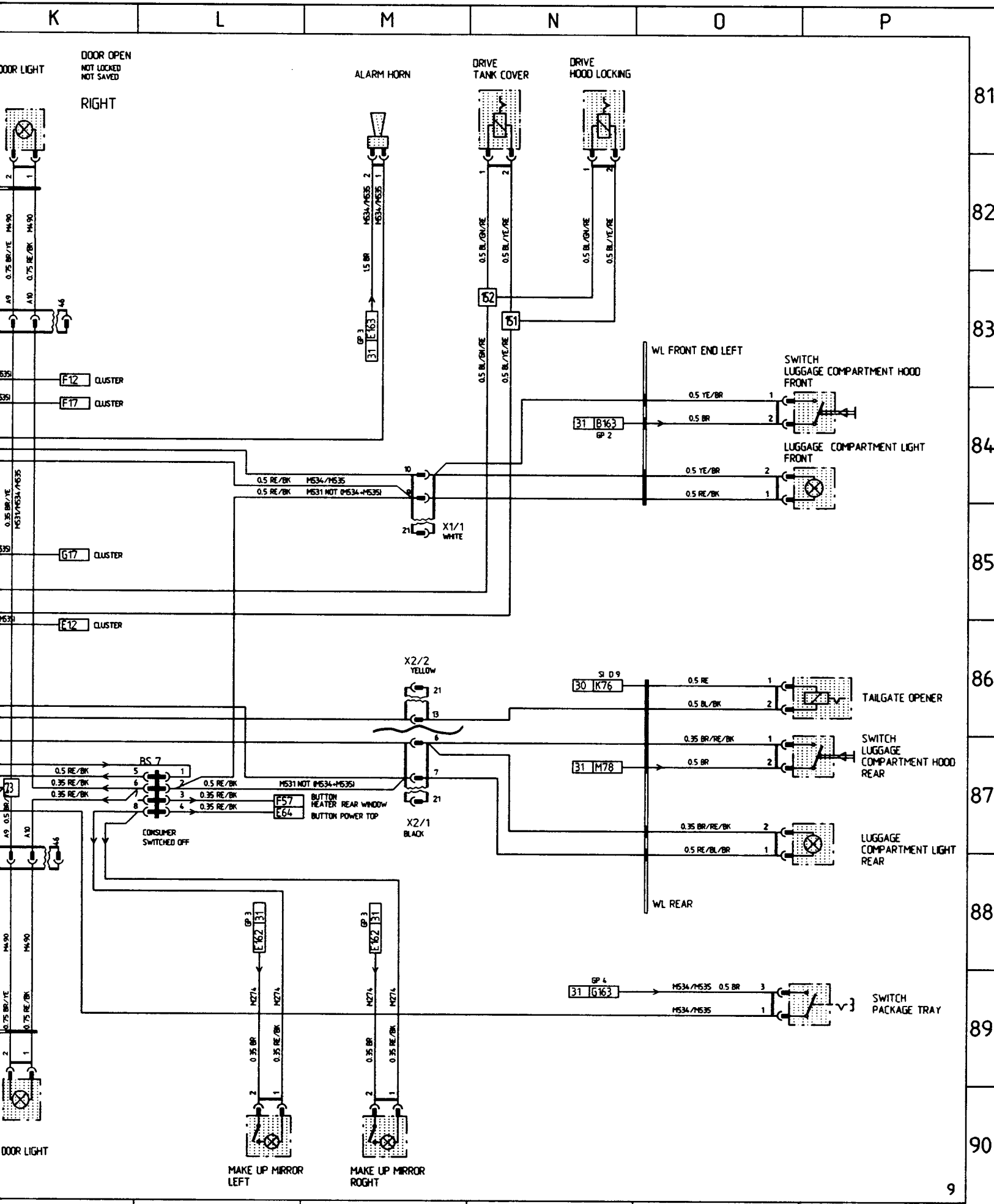
Boxster MODEL 97 SHEET 9

CENTRAL LOCKS, ALARM SYSTEM, INTERIOR MONITORING



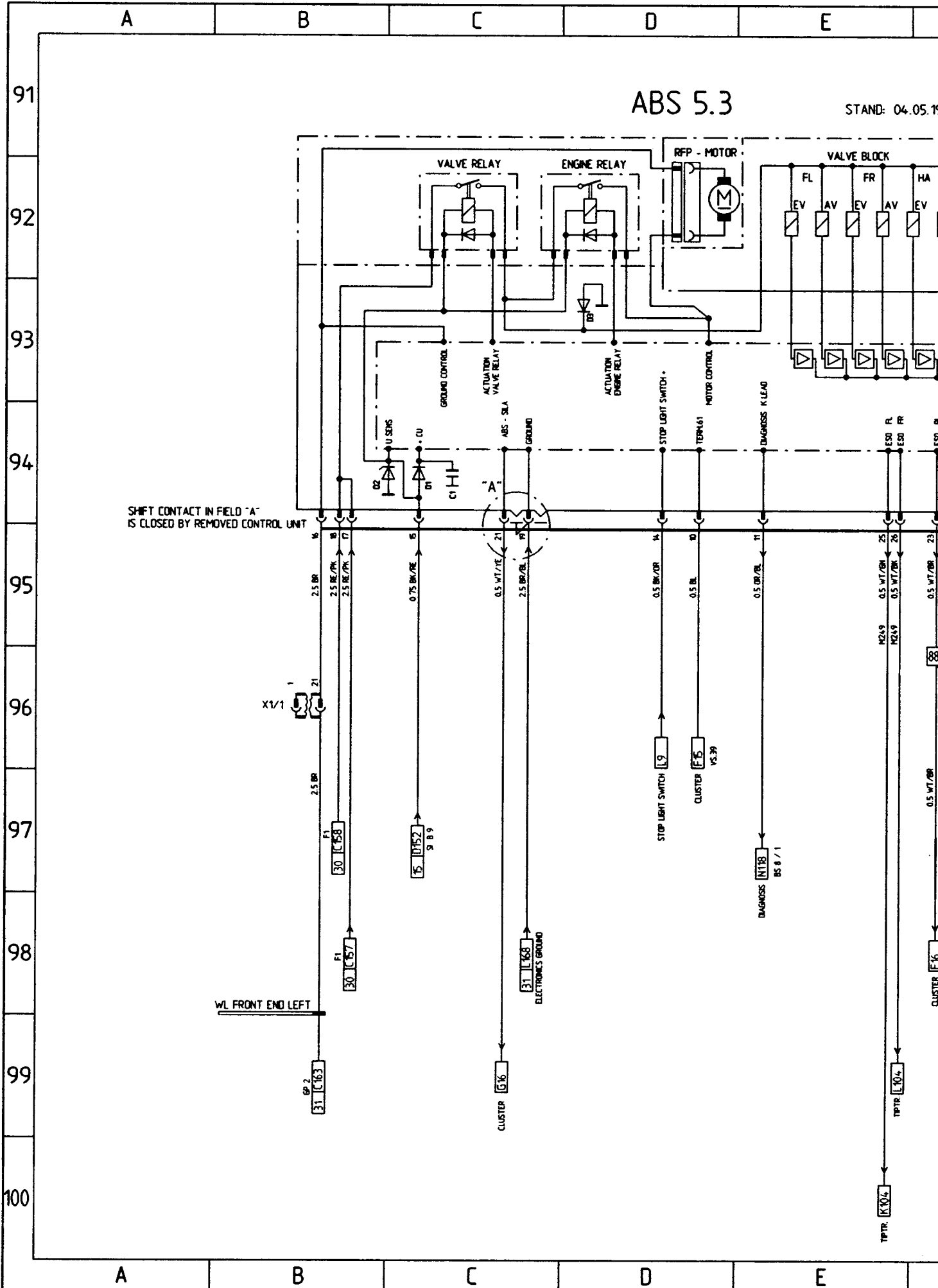


BL = BLUE BR = BROWN YE = YELLOW GN = GREEN GR = GREY PK = PINK RE = RED BK = BLACK VI = VIOLET WT = WHITE



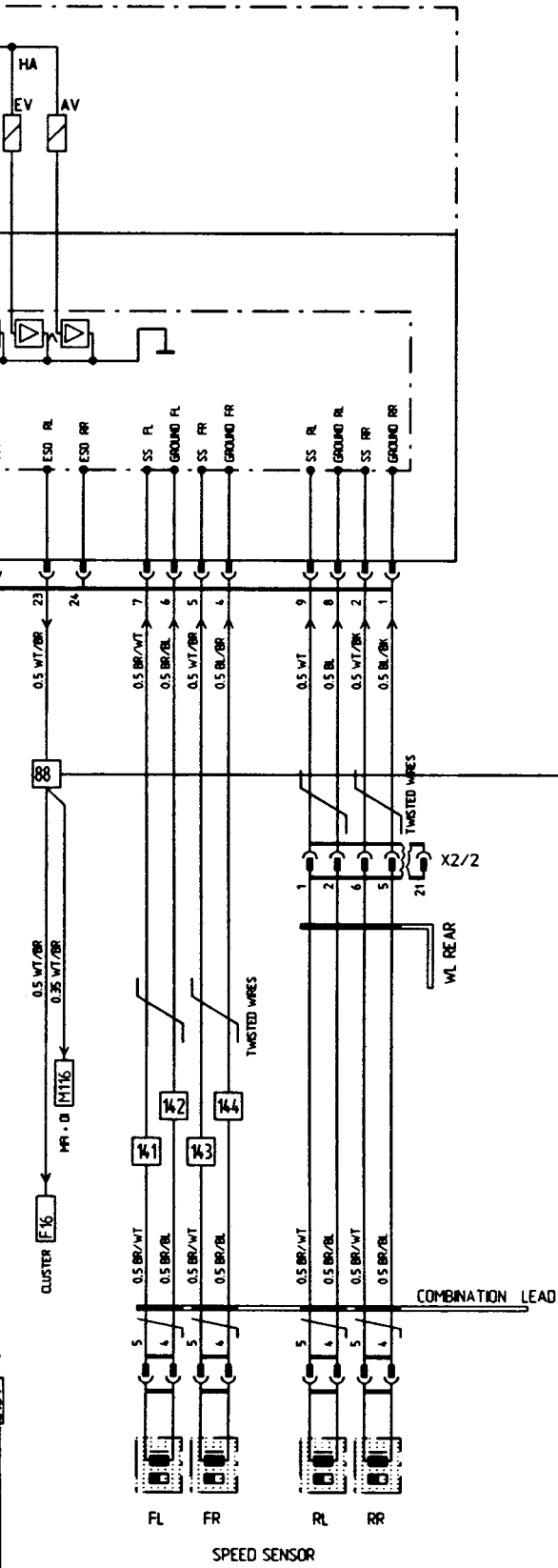
Boxster MODEL 97 SHEET 10

ANTILOCK BRAKING SYSTEM

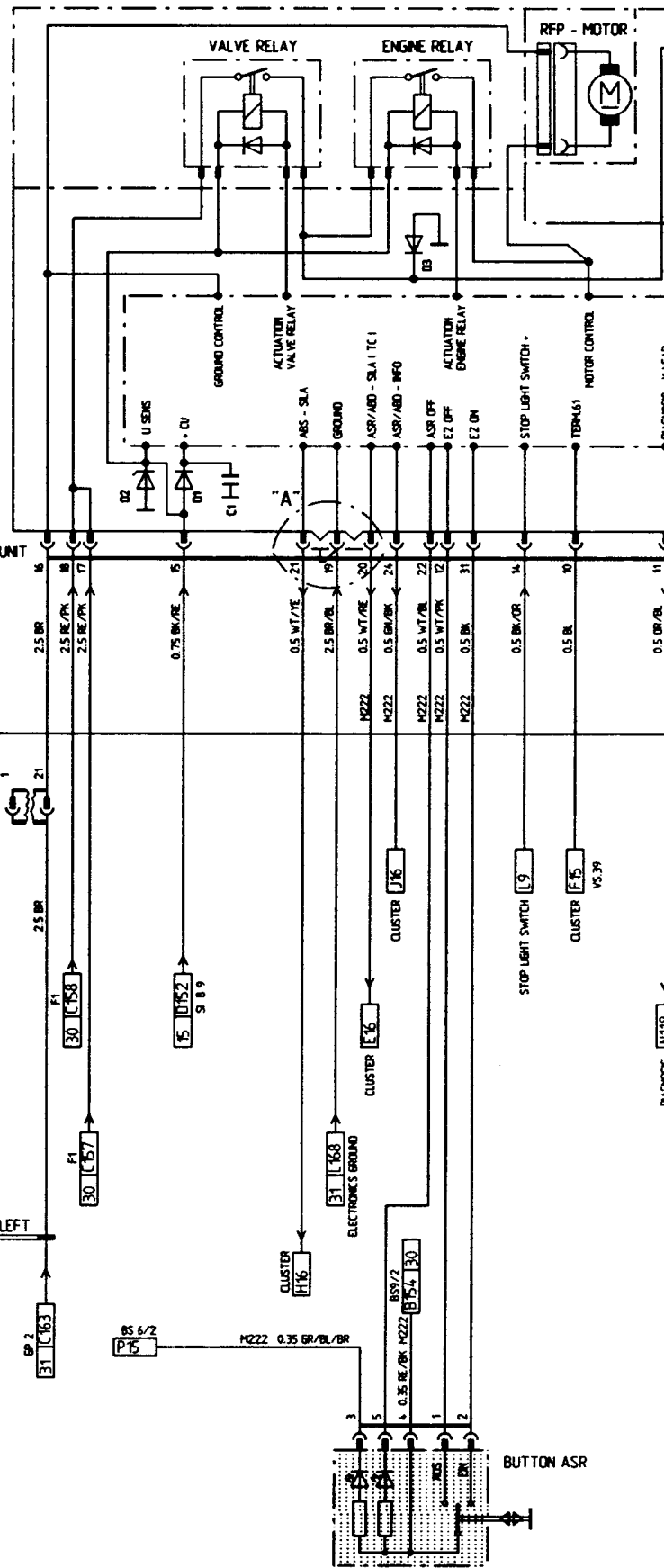


05.1994

ASR 5.3



SHIFT CONTACT IN FIELD "A" IS CLOSED BY REMOVED CONTROL UNIT

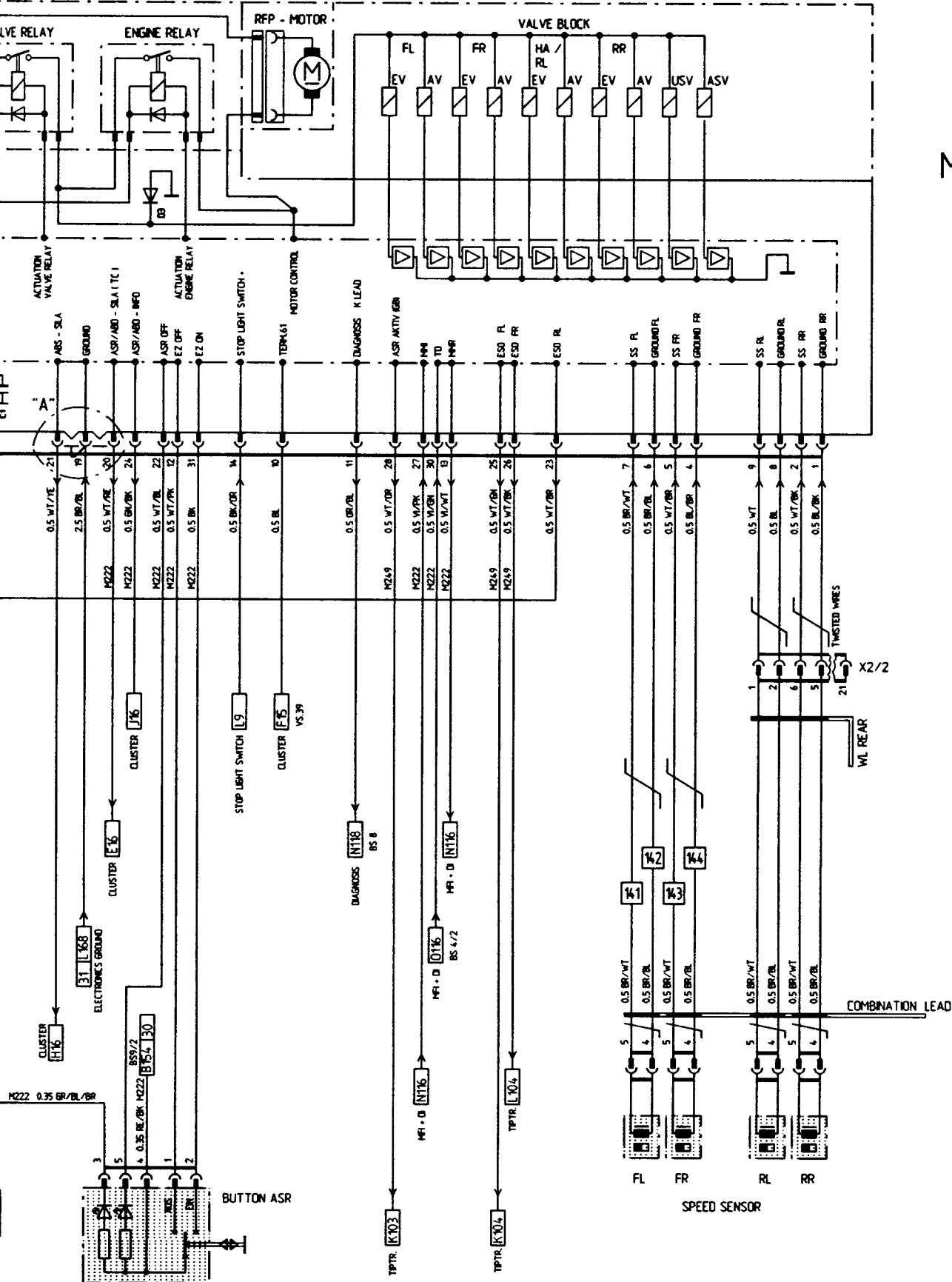


K L M N O P

ASR 5.3

STAND: 04.05.1994

M222



91

92

93

94

95

96

97

98

99

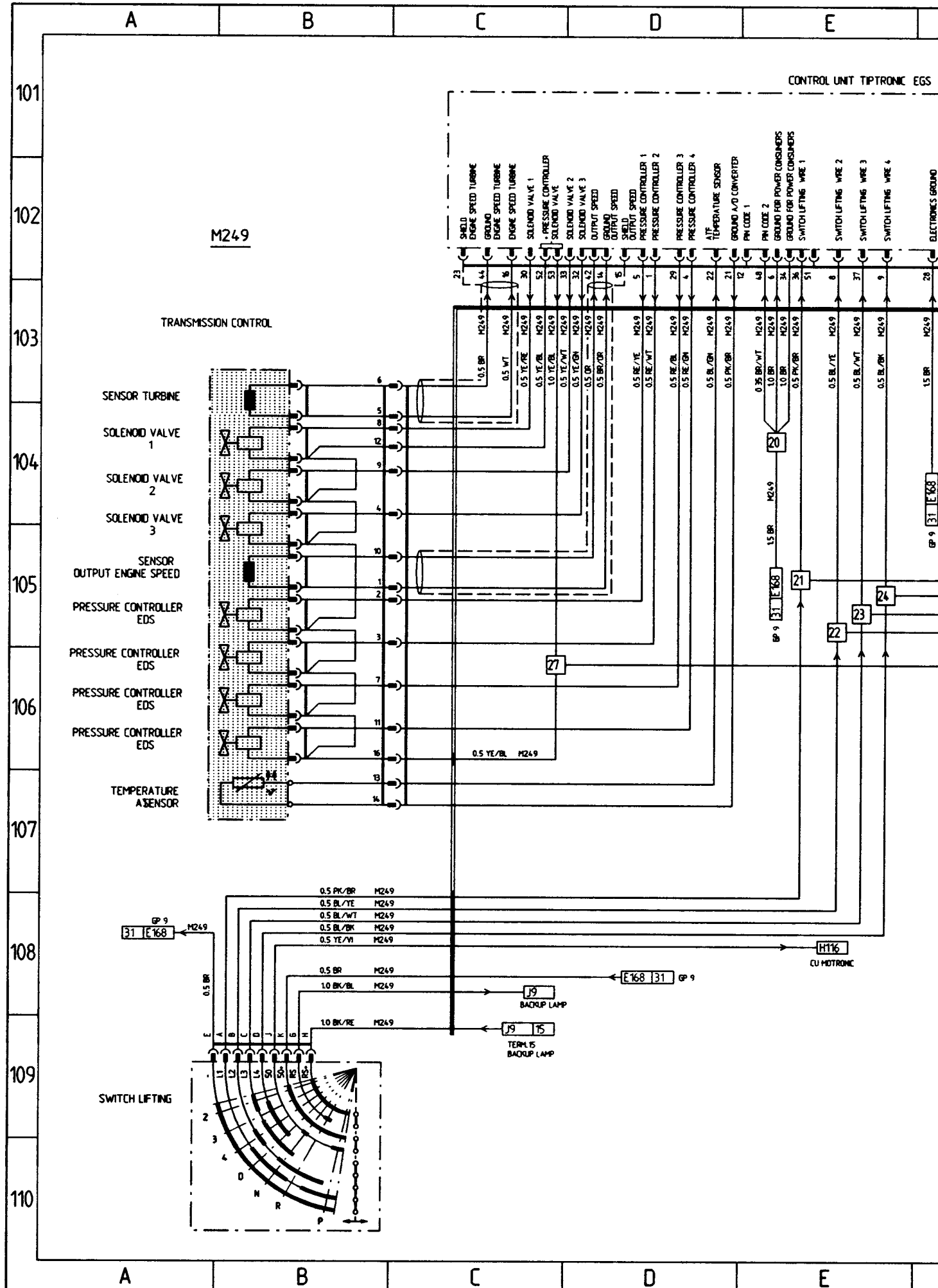
100

10

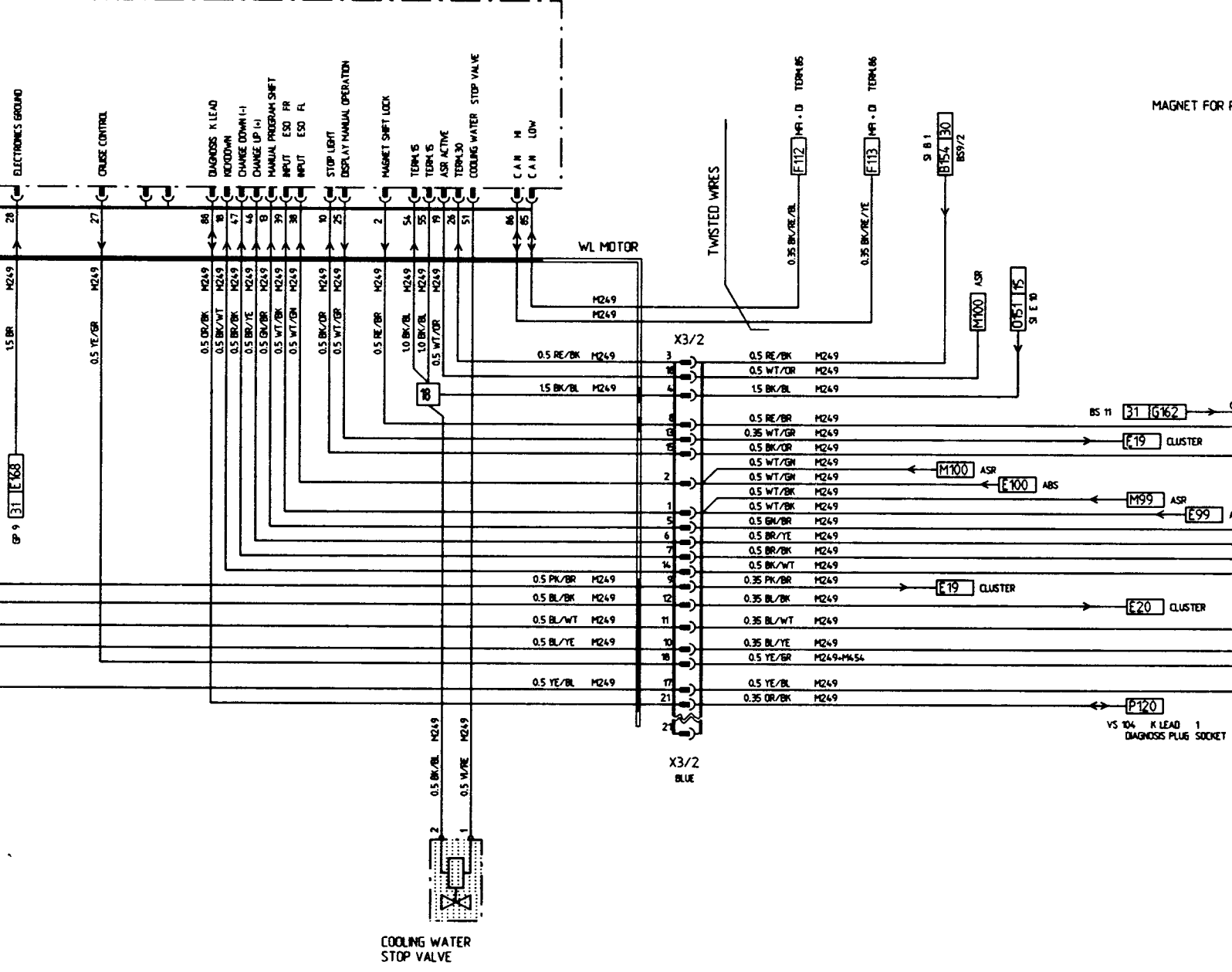
K L M N O P

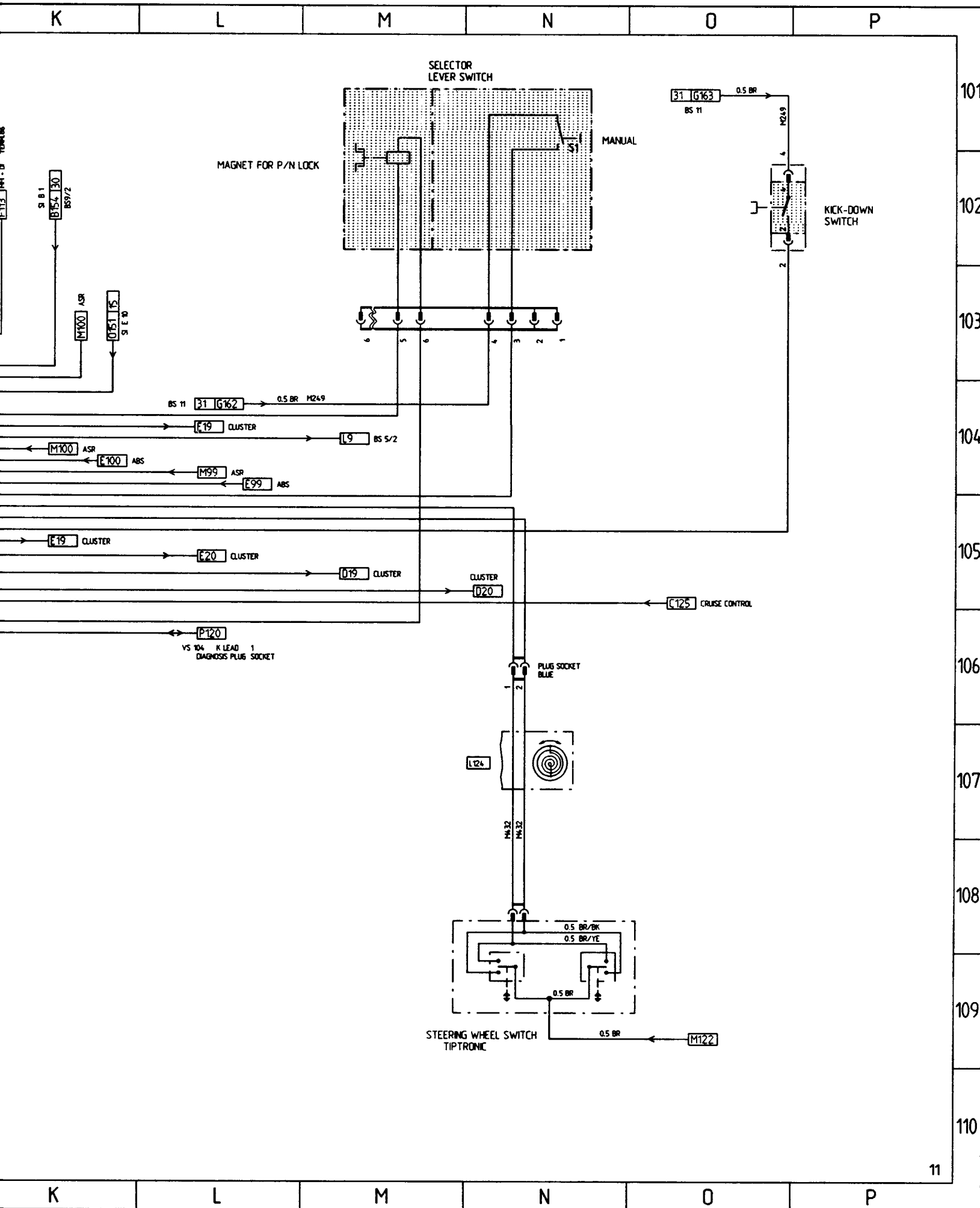
Boxster MODEL 97 SHEET 11

TIPTRONIC



EGS

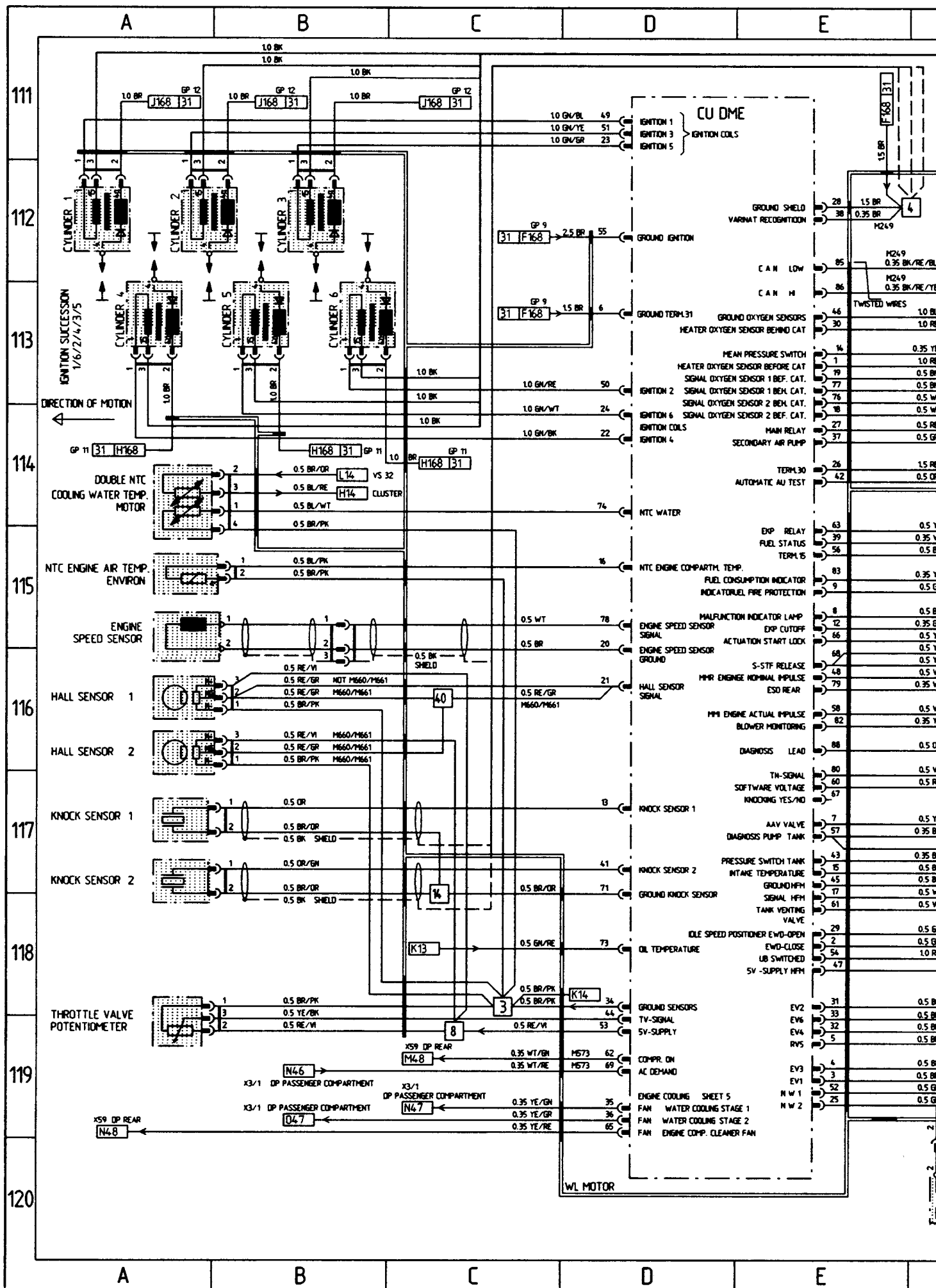


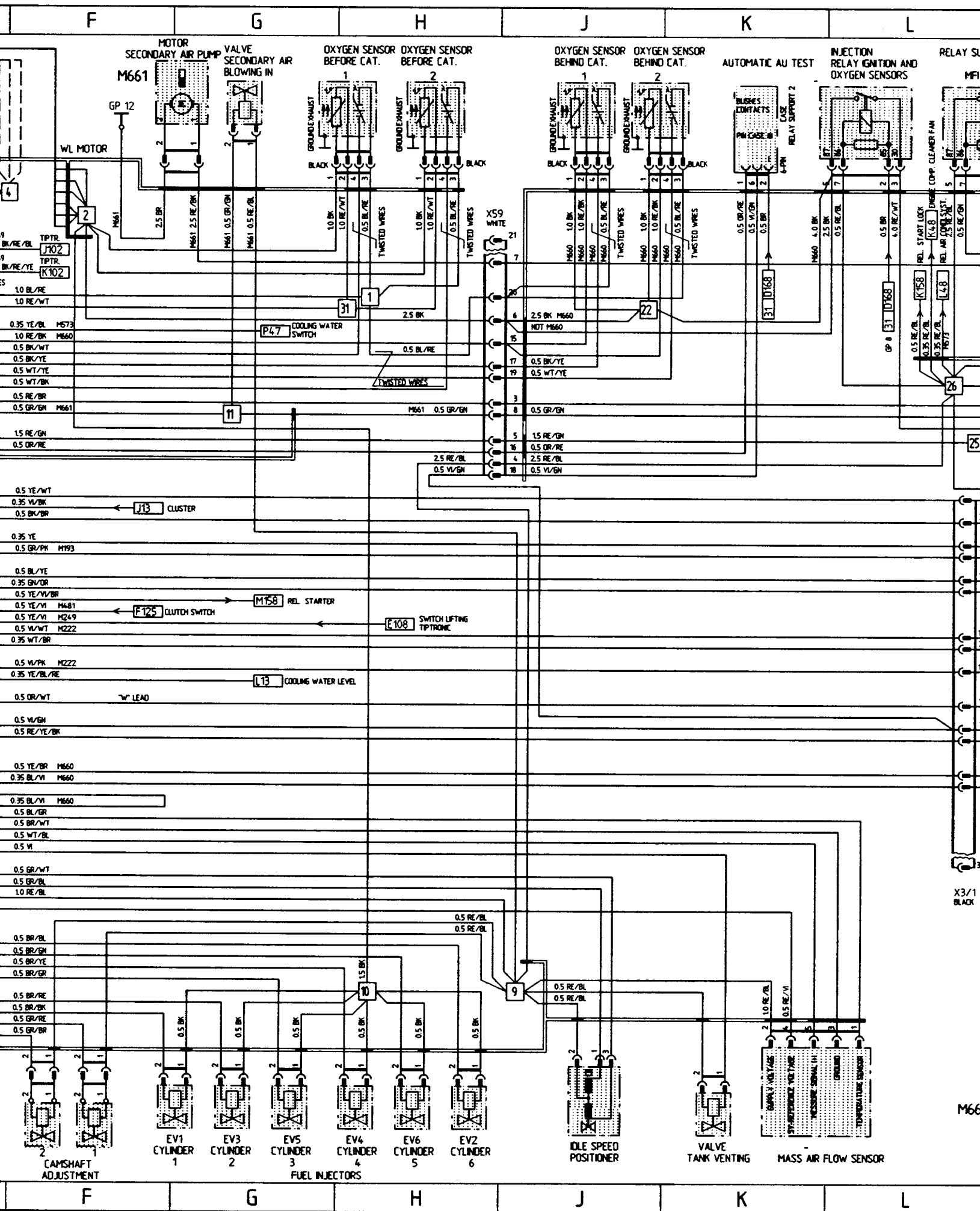


101
102
103
104
105
106
107
108
109
110

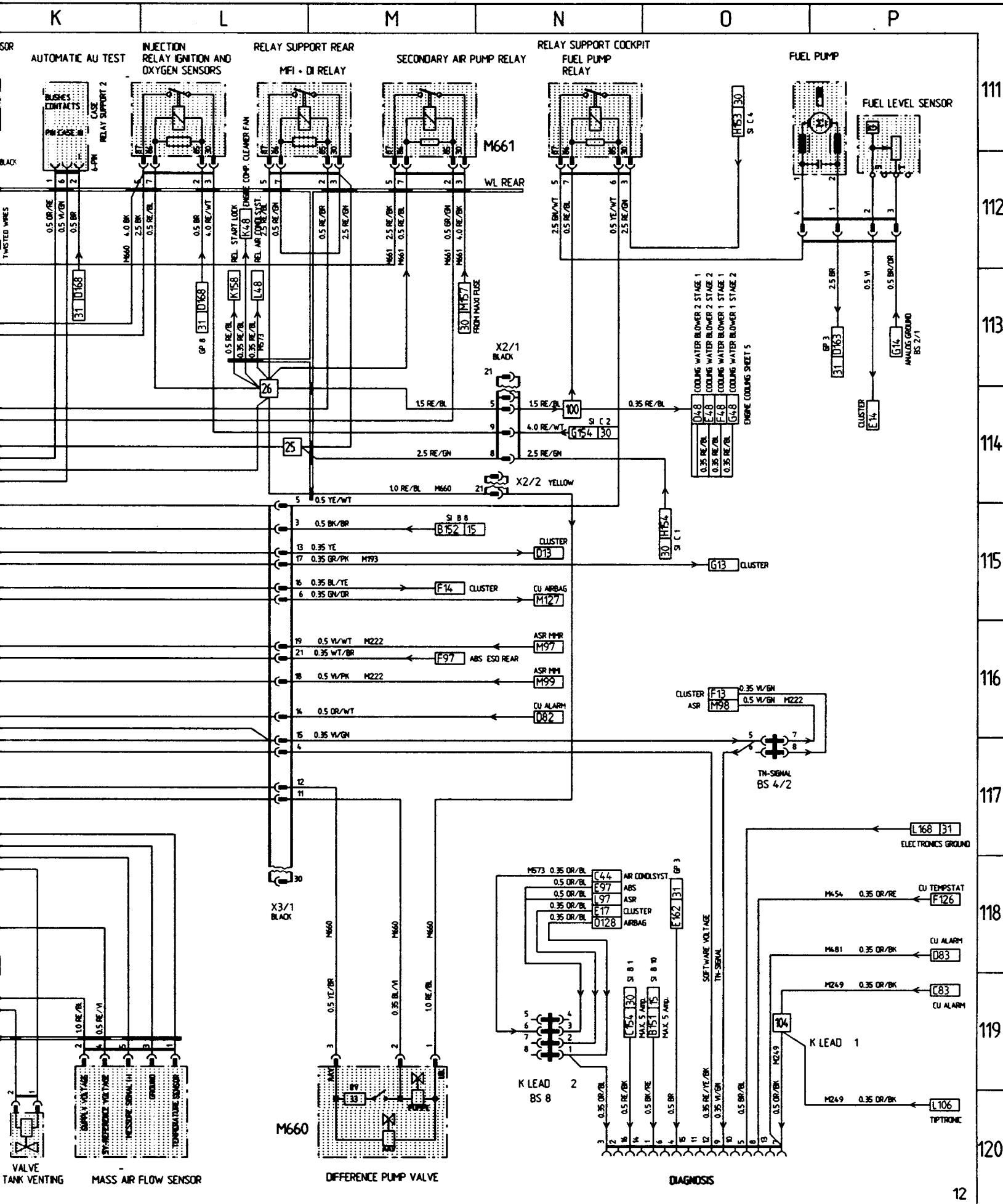
Boxster MODEL 97 SHEET 12

MFI+DI MOTORELEKTRONIK



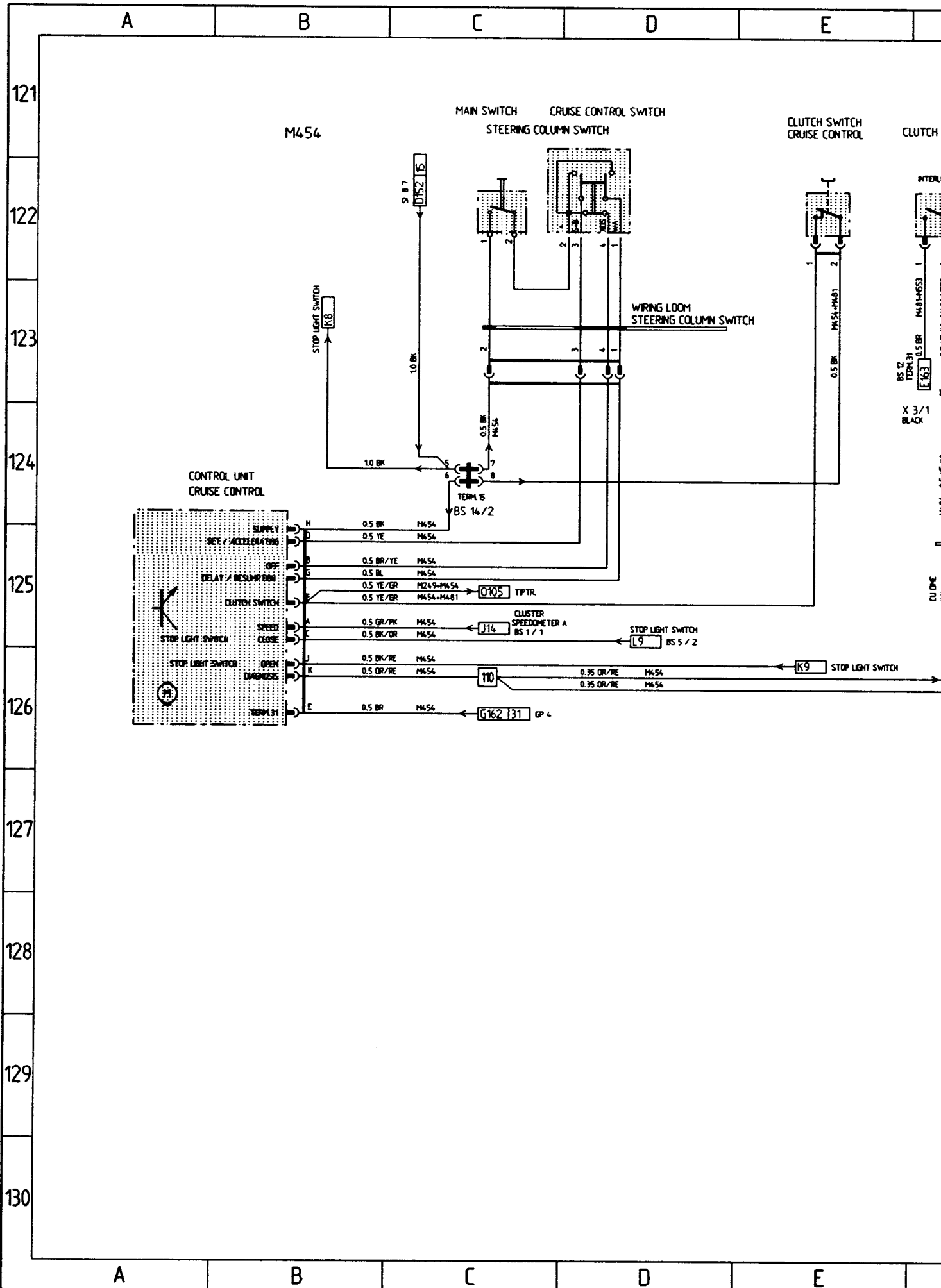


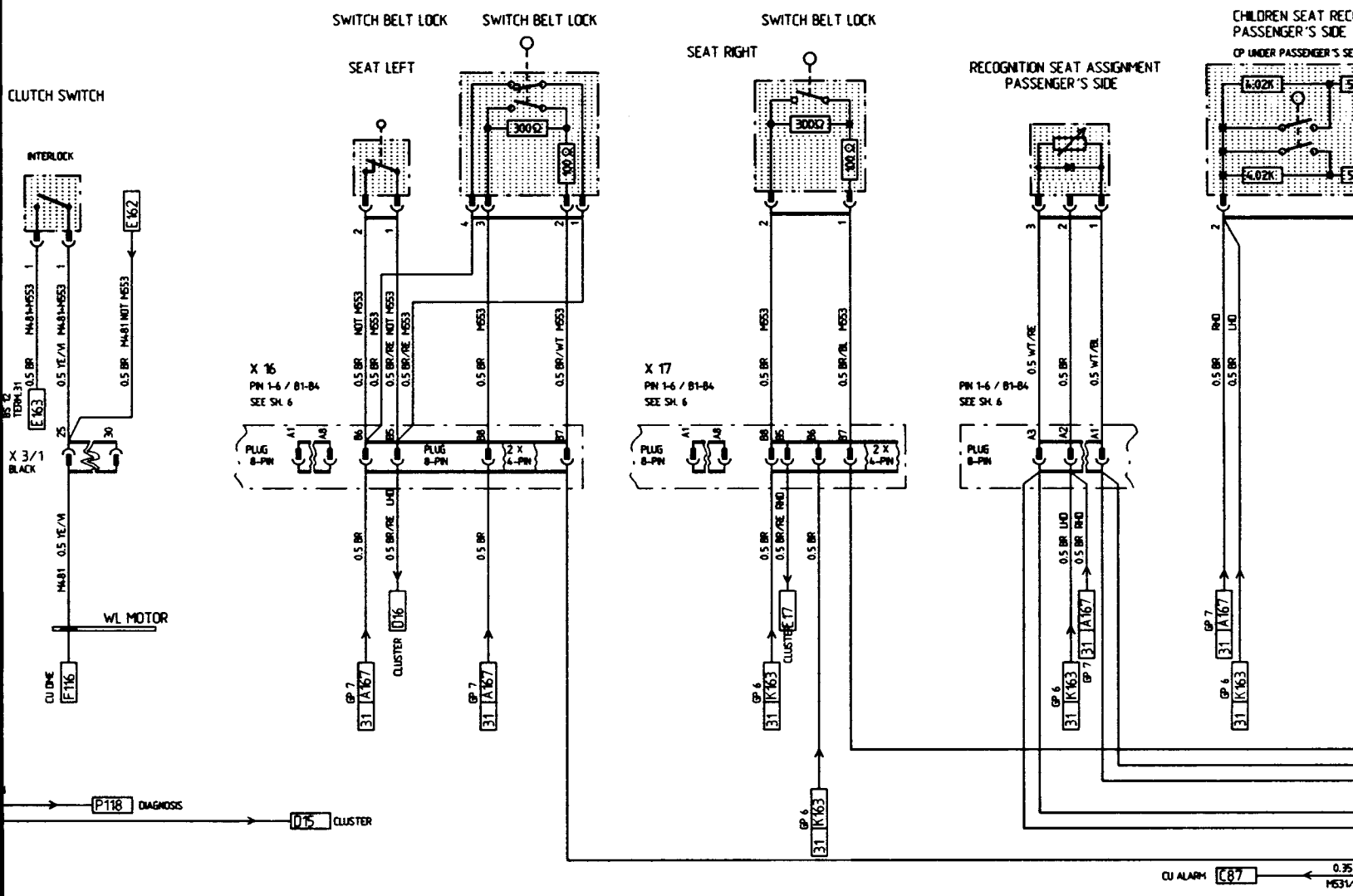
BL = BLUE BR = BROWN YE = YELLOW GN = GREEN GR = GREY PK = PINK RE = RED BK = BLACK VI = VIOLET WT = WHITE

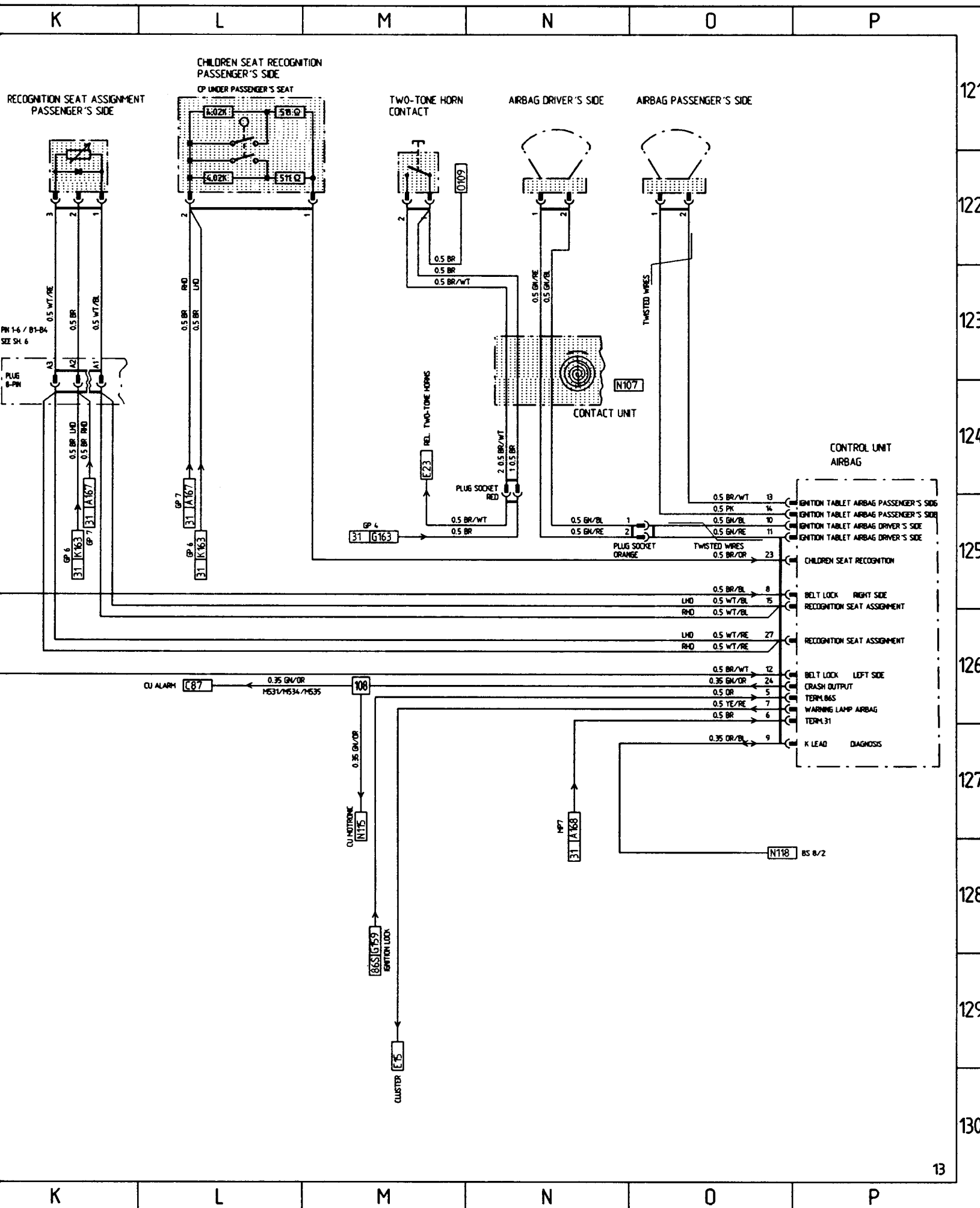


Boxster MODEL 97 SHEET 13

CRUISE CONTROL, AIRBAG

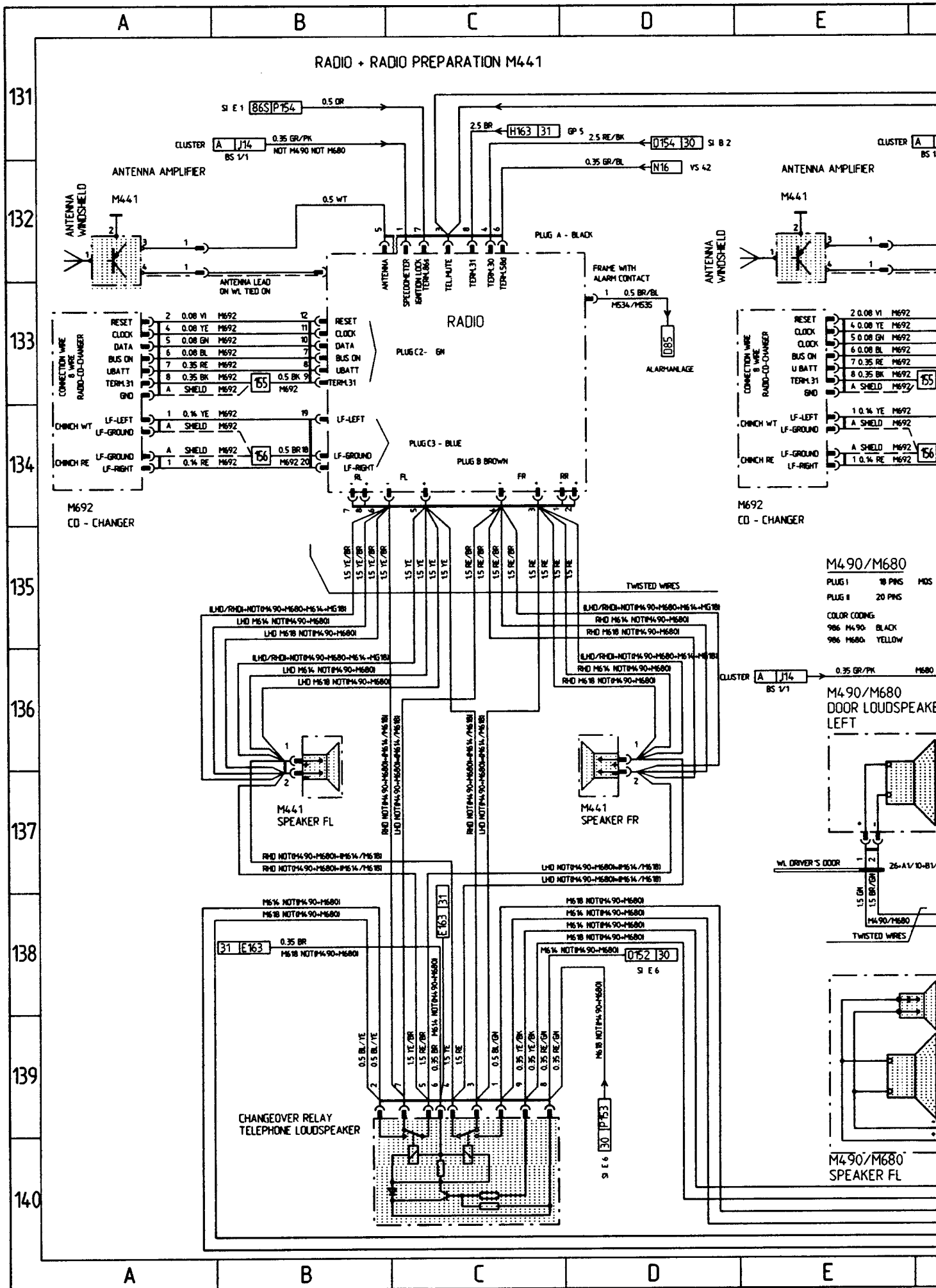






Boxster MODEL 97 SHEET 14

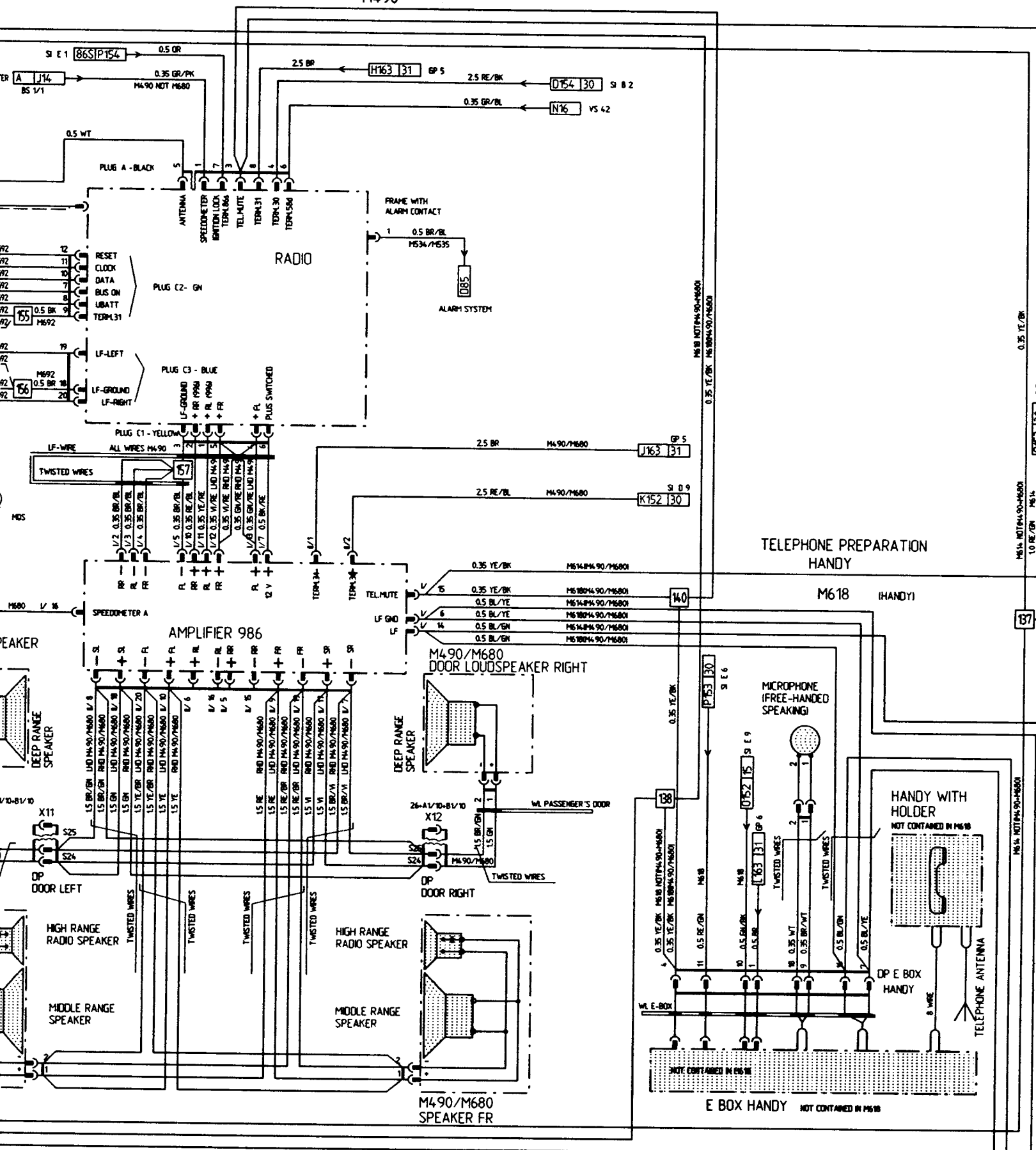
RADIO, TELEPHONE



M490/M680

PLUG I	18 PINS	MOS
PLUG II	20 PINS	
COLOR CODING:		
906	M490	BLACK
986	M680	YELLOW

RADIO AND AUDIO OPTION PACK
M4.90

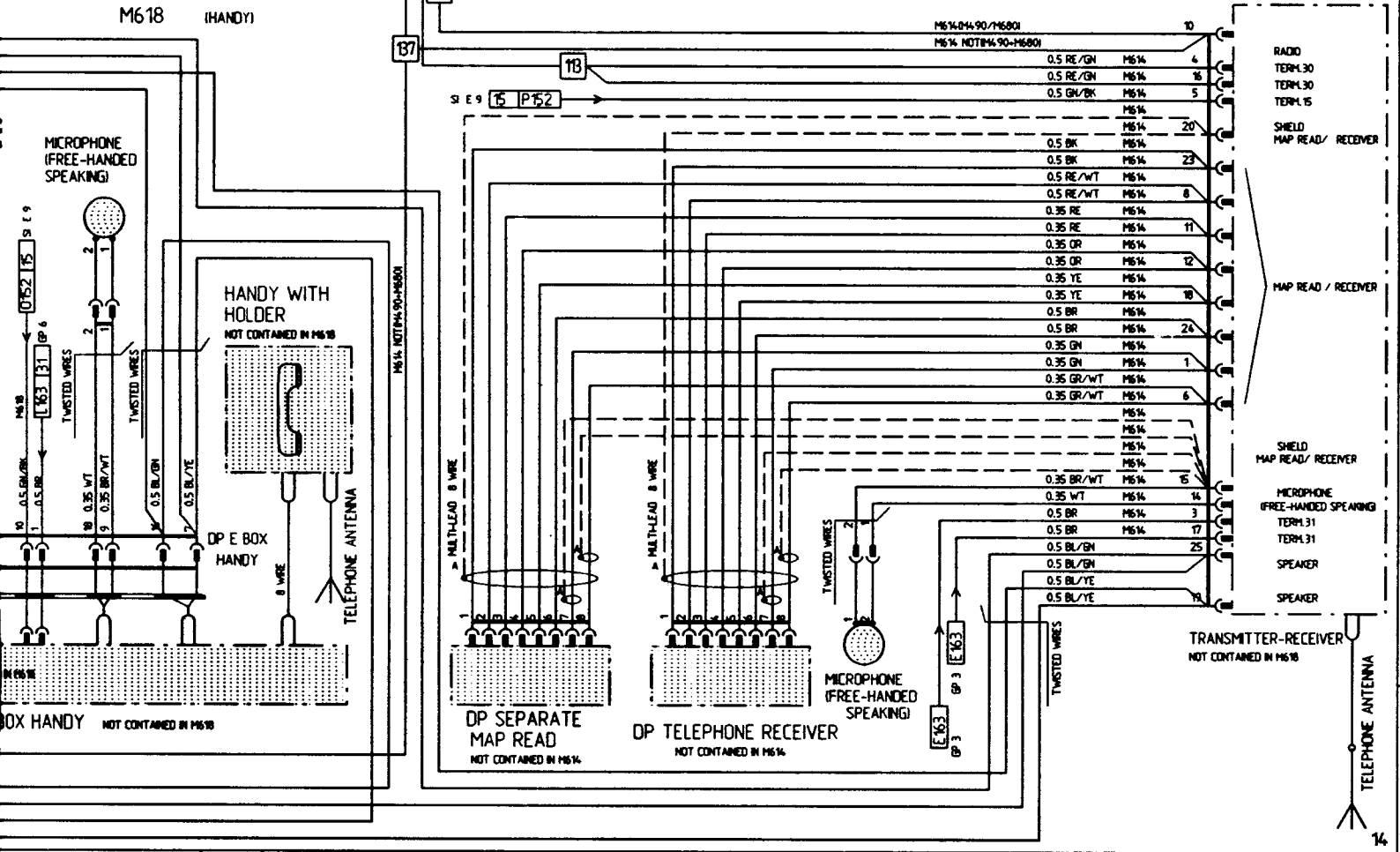


RADIO PLUG:

- | | | |
|----------|--------|-------------------------------|
| PLUG A: | BLACK | SUPPLY |
| PLUG B: | BR | SPEAKER |
| PLUG C1: | YELLOW | M490 / AMPLIFIER |
| PLUG C2: | GN | CD-CHANGER / CONNECTOR 8-PINS |
| PLUG C3: | BLUE | CD-CHANGER / LF-WIRE |

TELEPHONE PREPARATION
HANDY

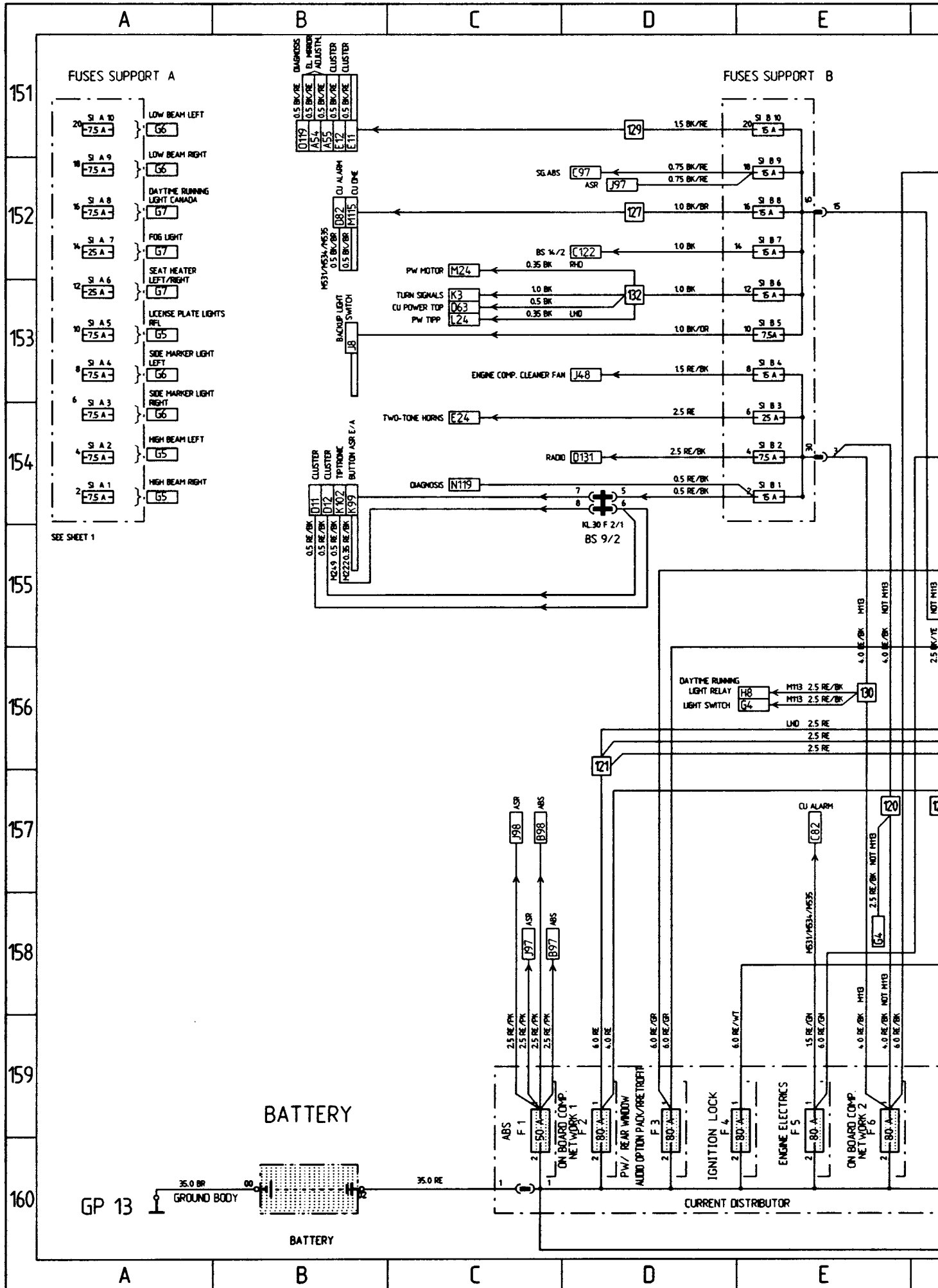
TELEPHONE PREPARATION D-NETWORK
M614 (MOTOROLA)



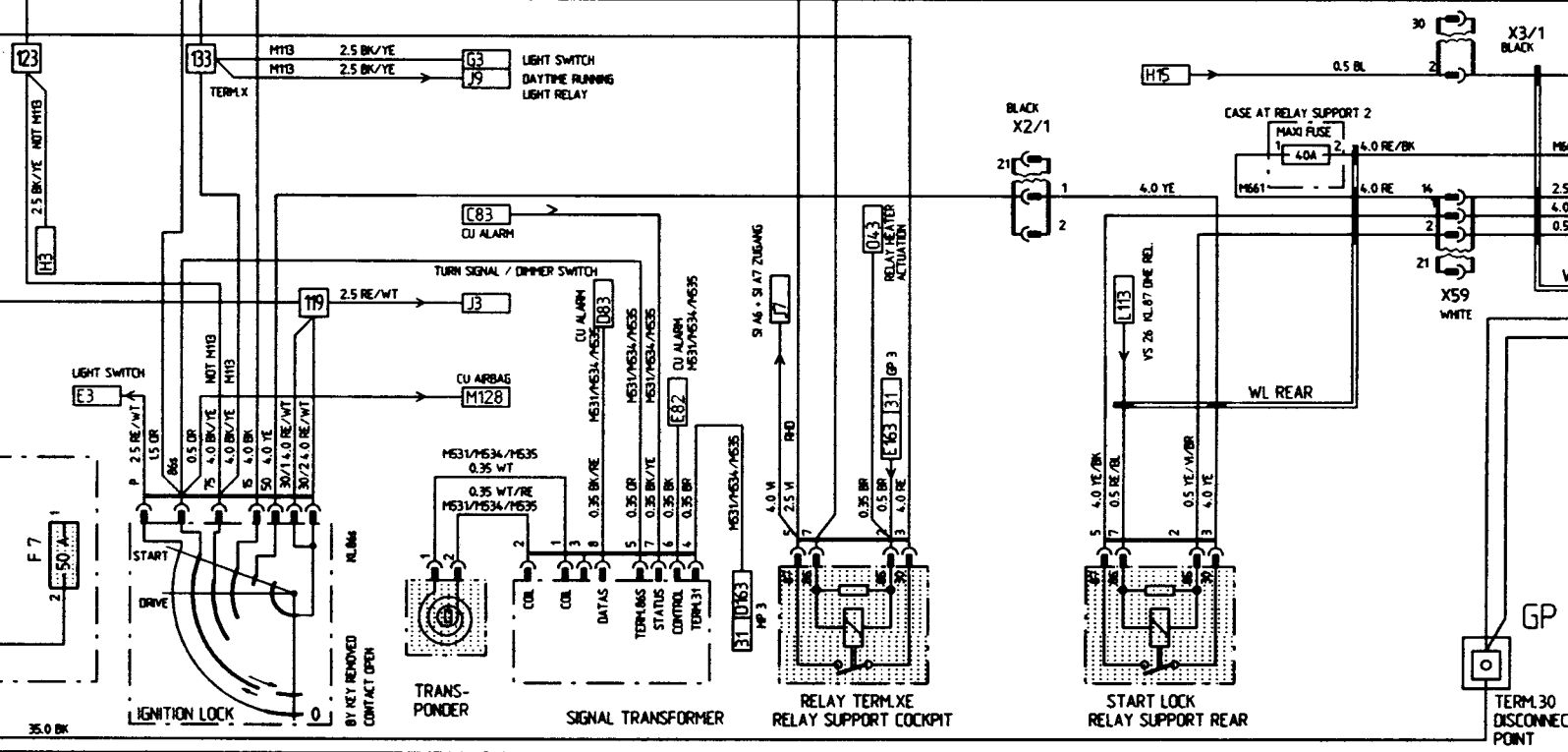
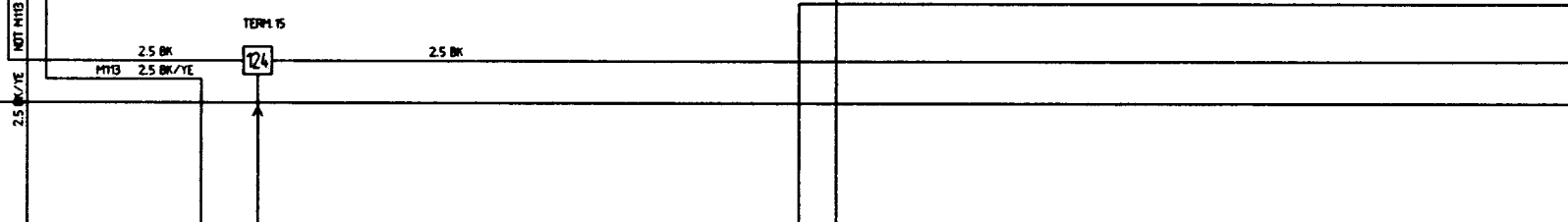
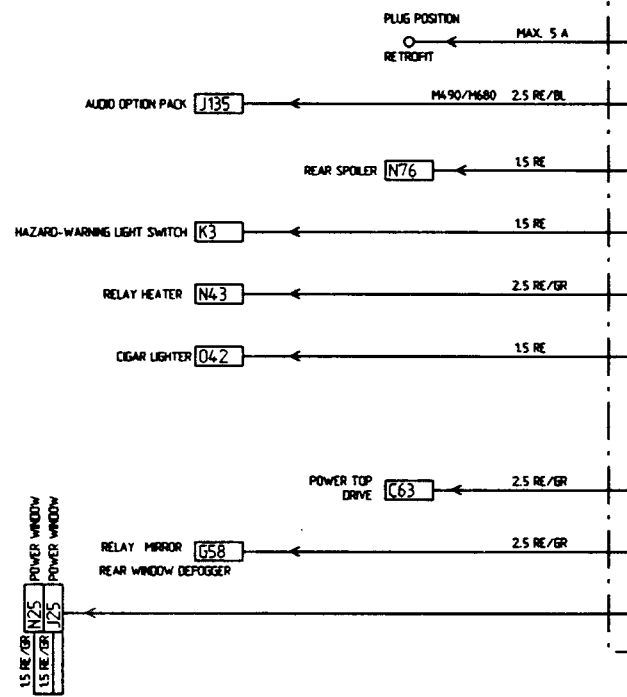
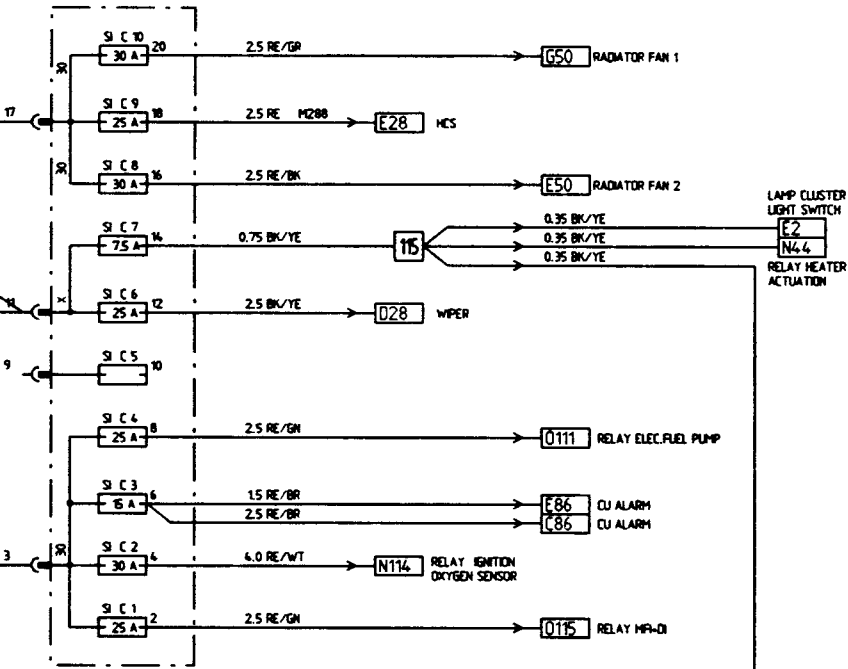
K L M N O P

Boxster MODEL 97 SHEET 15

POWER SUPPLY, FUSES



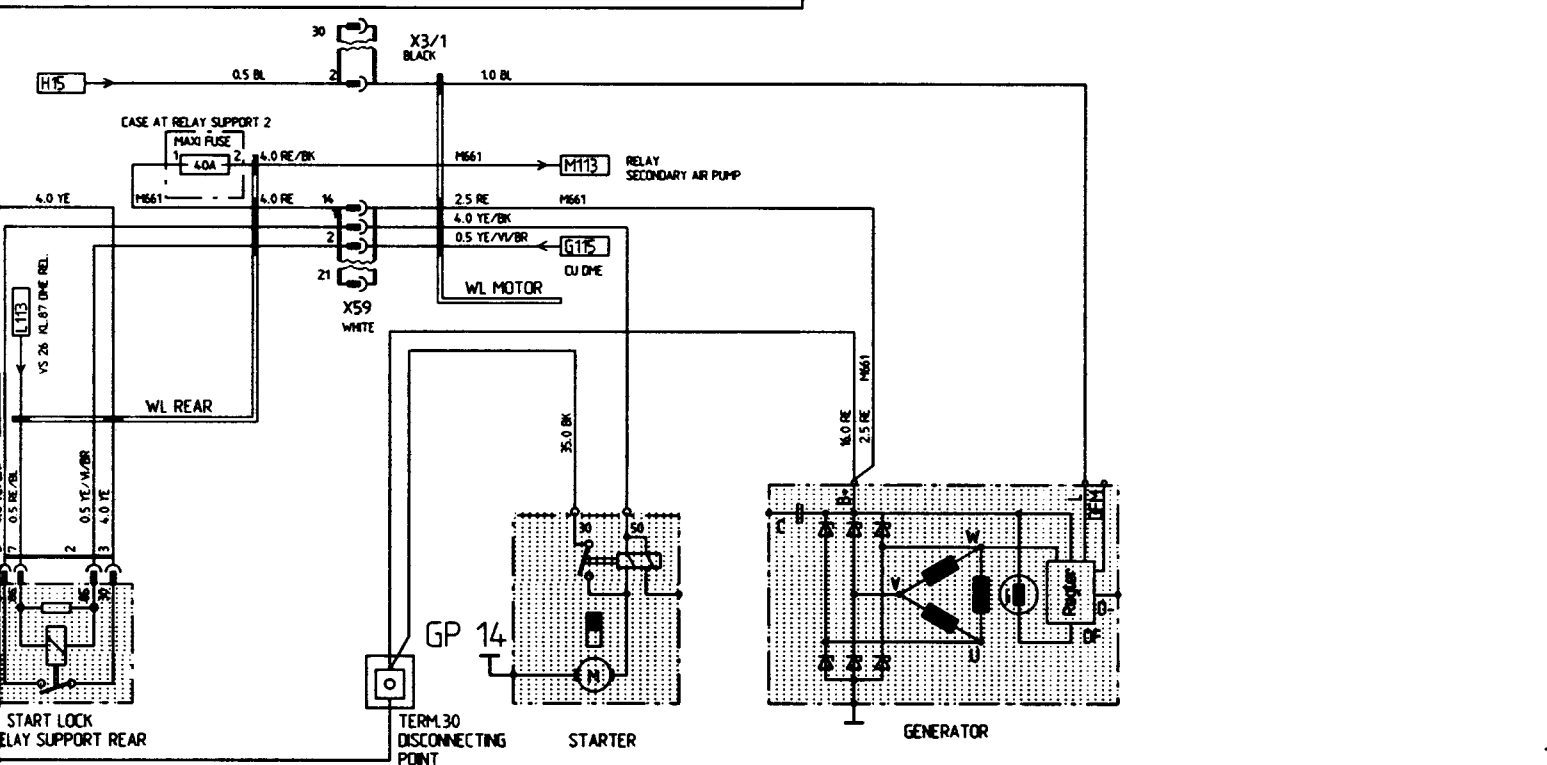
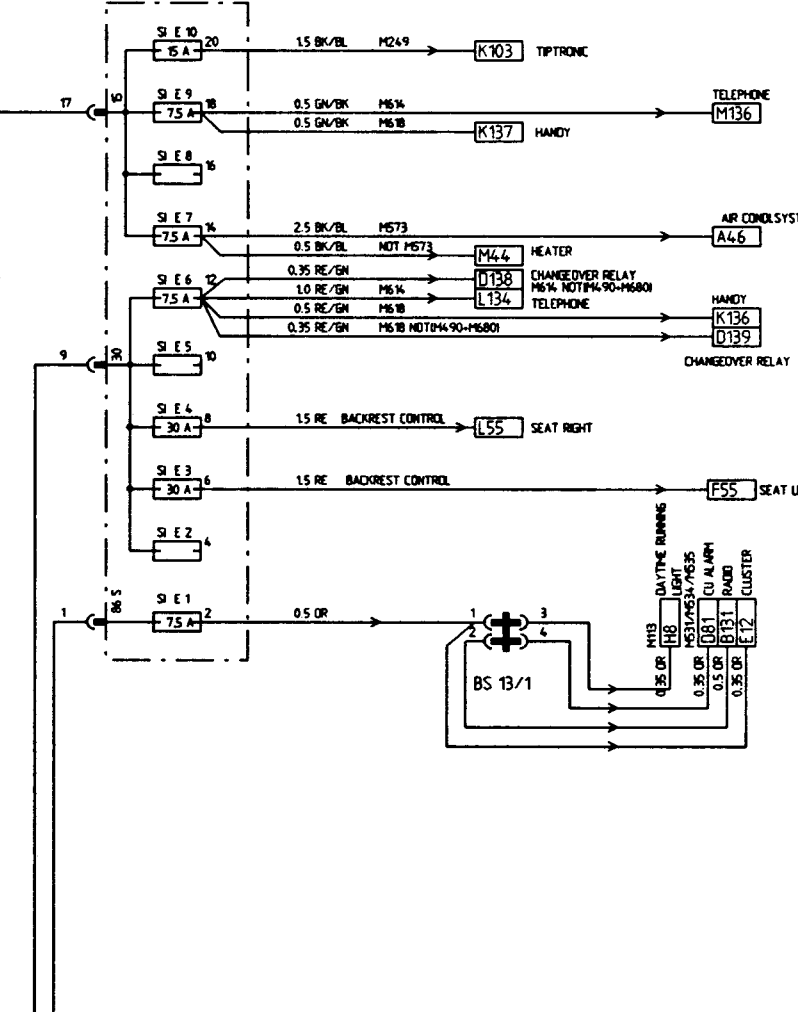
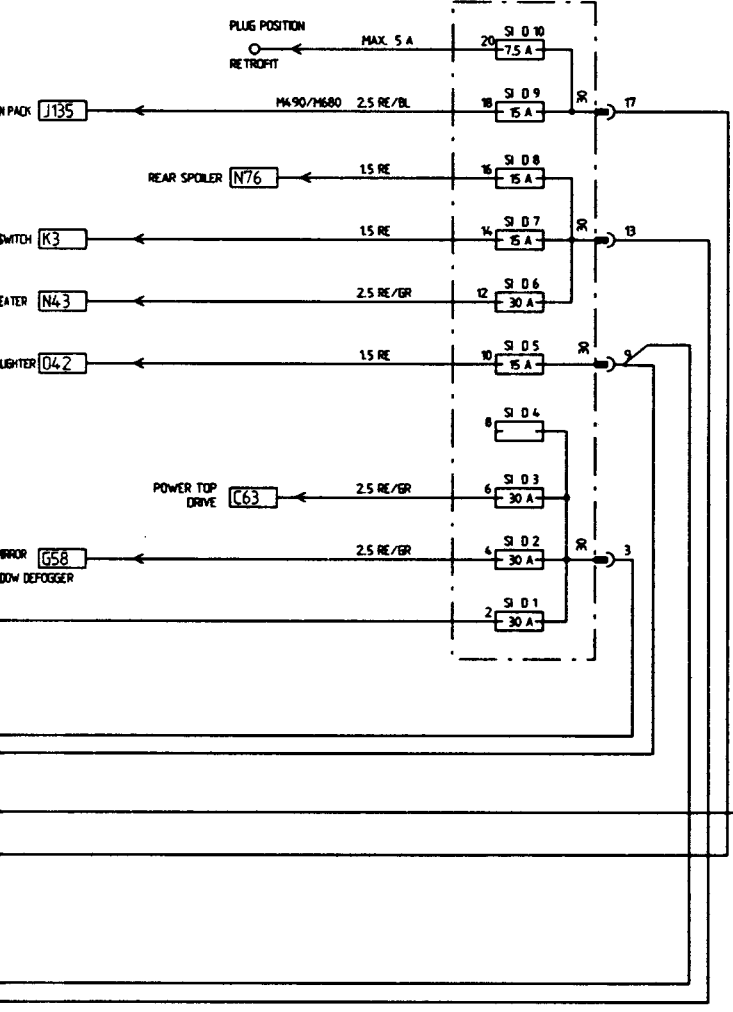
FUSES SUPPORT C



K L M N O P

FUSES SUPPORT D

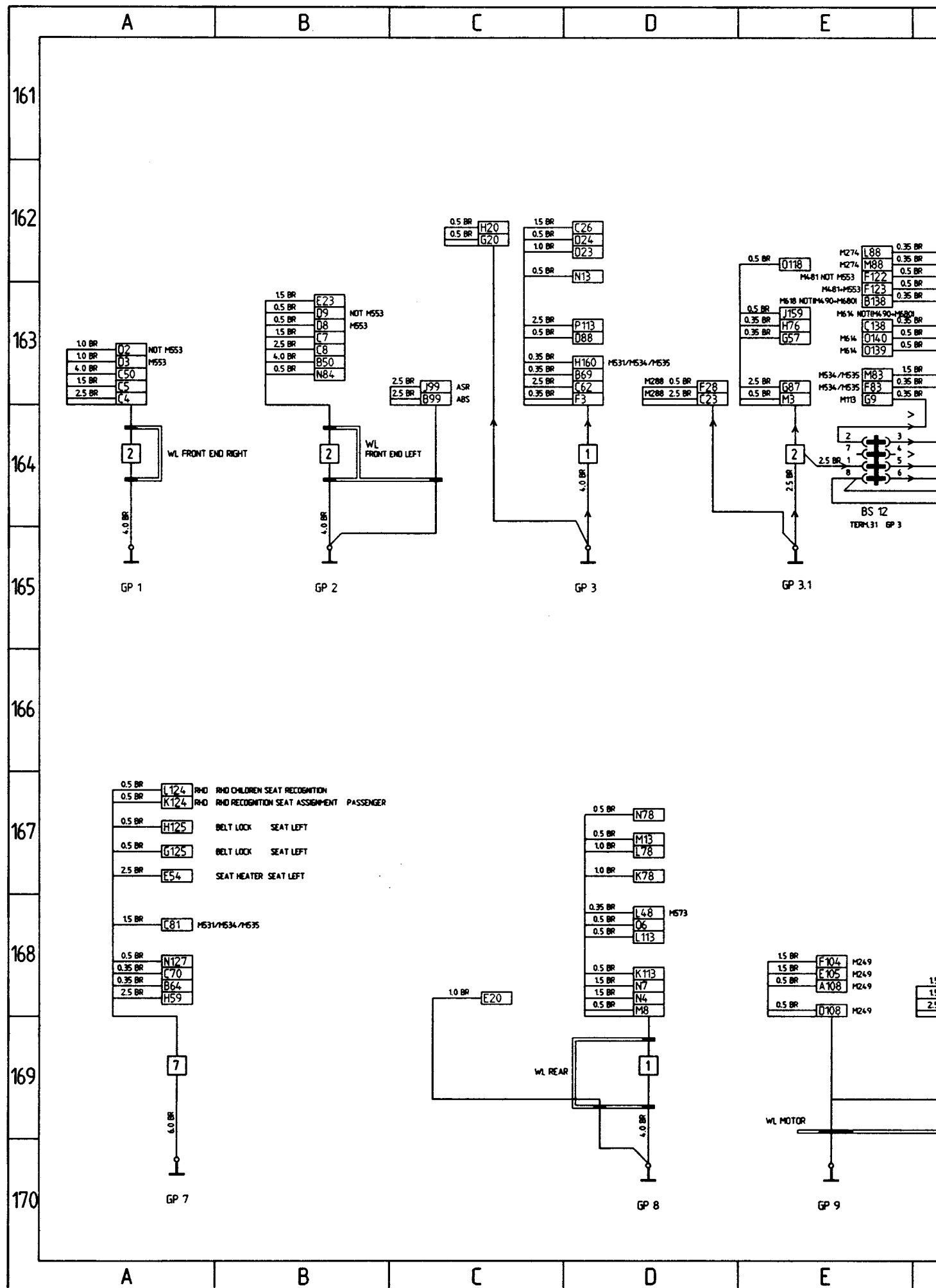
FUSES SUPPORT E



K L M N O P

Boxster MODEL 97 SHEET 16

GROUND POINTS



F

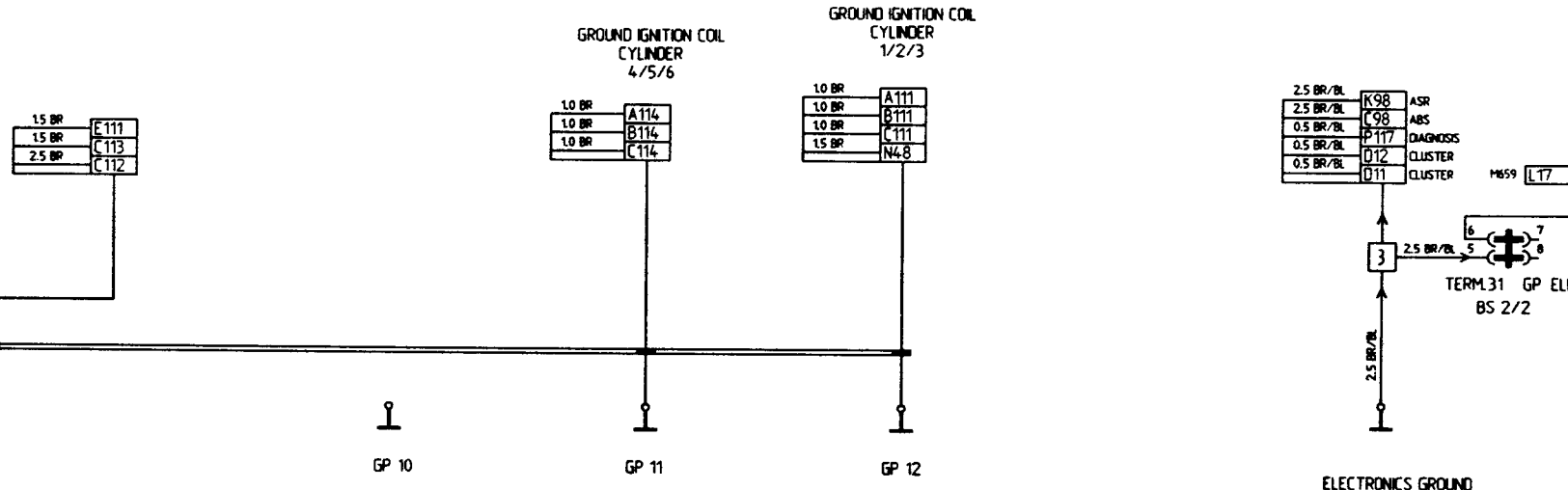
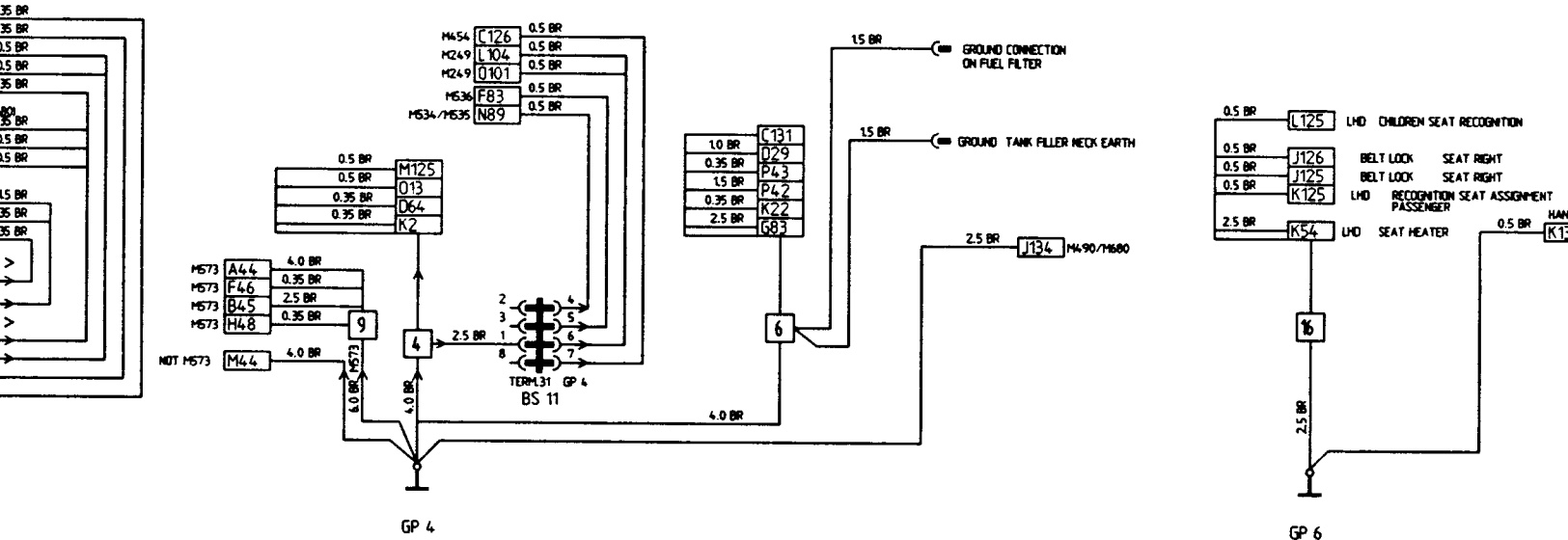
G

H

J

K

L



F

G

H

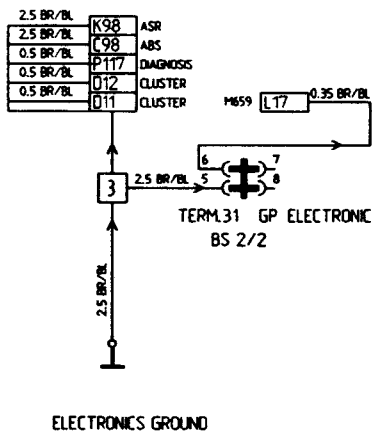
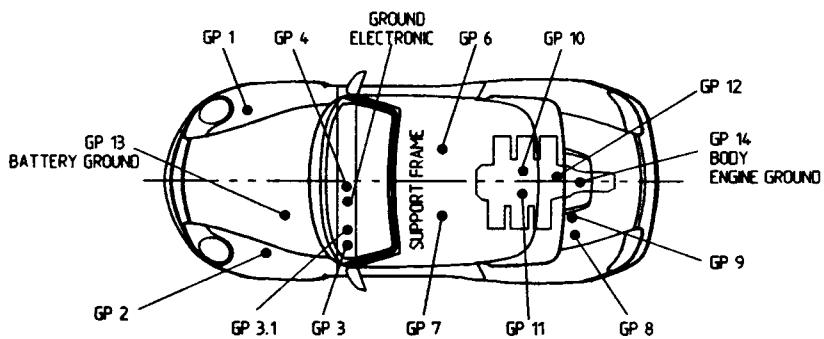
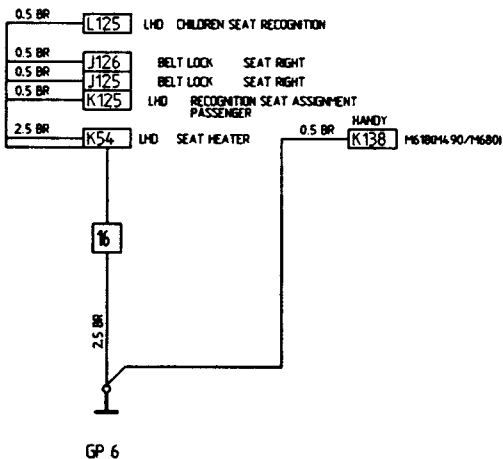
J

K

L

BL = BLUE BR = BROWN YE = YELLOW GN = GREEN GR = GREY PK = PINK RE = RED BK = BLACK VI = VIOLET WT =

K L M N O P



K L M N O P

Boxster MODEL 97 SHEET 17

CONSTRUCTION COMPONENTS

CONSTRUCTION COMPONENTS

DESIGNATION, FUNCTION	POSITION IN VEHICLE		NOTE	FIELD IN WIRING DIAGRAM
	LHD	RHD		
ALARM HORN	5bP	5bM	LEFT OF BATTERY	M81/82
ANTENNA AMPLIFIER	7bL	7bL	RIGHT ON THE A-PILLAR/RIGHT MIRROR OUTSIDE	A132
OUTSIDE TEMP. SENSOR	10M	10M	ATTACHED TO RIB OF PV PART	J20
STOP LIGHT SWITCH	6cP	6cL	BELOW DASHBOARD ON BRAKE PEDAL LINKAGE	K10
BRIDGE PLUG	6cD	6cL		SIEHE BL.21
DIAGNOSIS CONNECTION	6cD	6cD	LEFT BELOW DASHBOARD	N/0120
ENGINE SPEED SENSOR	13cD	13cD		A115
THROTTLE VALVE SENSOR	11cD	11cD		A/B118/119
PRESSURE SWITCH AIR CONDITIONING SYSTEM	5bM	5bP	IN FRONT OF AIR CLEANER	H50
TWO-TONE HORNS	10M	10M	ABOVE UNDERSIDE PANEL	D/E21
BLOWER ENGINE COMPARTMENT	12cD	12cD		N50
BLOWER MOTOR RIGHT	3cL	3cL	UNDER MAIN HEADL. ON PU PART	C49/50
BLOWER MOTOR LEFT	3cD	3cD	UNDER MAIN HEADL. ON PU PART	A49/50
HALL SENSOR	12cM	12cM		A/B116
HYDRAULIC UNIT ABS	4cD	4cD	FRONT LUGGAGE COMPARTMENT LEFT	B-692/93
ABS/ABD HYDRAULIC UNIT	4cD	4cD	FRONT LUGGAGE COMPARTMENT LEFT	J-092/93
KICK-DOWN SWITCH	5cD	5cL	UNDER THE ACCELERATOR PEDAL	O/P102
KNOCK SENSOR CYL.1-3	12cL	12cL		A/B117
KNOCK SENSOR CYL.4-6	12cD	12cD		A/B117
FUEL PUMP	5dD	5dD	IN THE TANK UNDER THE BATTERY	
CLUTCH SWITCH CRUISE CONTROL	5dD	5dN	AT CLUTCH PEDAL	P111
INSTRUMENT CLUSTER	6pB	6mB		F122
OXYGEN SENSOR UPSTR.CAT. CYL. 1/3	14dD	14dD		H111
OXYGEN SENSOR UPSTR.CAT. CYL. 3/6	14dL	14dL		H111
OXYGEN SENSOR DOWNSTR. CAT. CYL. 1/3	16dD	16dD		J111
OXYGEN SENSOR DOWNSTR. CAT. CYL. 3/6	16dL	16dL		J111
IDLE SPEED POSITIONER	13cD	13cD		J120
MASS AIR FLOW SENSOR	13cD	13cD		K/L120
MICRO SWITCH CONVERTIBLE TOP UNLOCK	9aD	9aD	AT WIND COURSE FRAME	B70
MICRO SWITCH CONVERTIBLE TOP LOCK	9aN	9aN	AT WIND COURSE FRAME	B70
MICRO SWITCH VDKD CLOSE	13bN	13bN	IN REAR LUGGAGE COMPARTMENT	B62
MICRO SWITCH CONVERTIBLE TOP CLOSED	12bD	12bD	B-PILLAR LEFT	C70
NTC TEMPERATURE FOR INTAKE AIR				A115
OIL PRESSURE SENSOR/SWITCH				J11
OIL LEVEL SENSOR				K11
OIL TEMPERATURE SENSOR				K11
SWITCH LIFTING	15dN	15dN	ON GEARBOX	B109/110

DIAGRAM
19
19
93
93
10

DESIGNATION, FUNCTION	POSITION IN VEHICLE		NOTE	FIELD IN WIRING DIAGRAM
	LHD	RHD		
RELAY AC COMPRESSOR	15b0	15b0	REAR LUGGAGE COMPARTMENT LEFT, ON RELAY SUPPORT 2	L50
RELAY FLASHER	6c0	6cL	FOOTWELL LEFT ON RELAY SUPPORT 1	M1
RELAY MFI + DI	15b0	15b0	REAR LUGGAGE COMPARTMENT LEFT, ON RELAY SUPPORT 2	L/M111
RELAY FUEL PUMP	6c0	6cL	FOOTWELL LEFT ON RELAY SUPPORT 1	M111
RELAY POWER TOP	6c0	6cL	FOOTWELL LEFT ON RELAY SUPPORT 1 DOUBLE RELAY	A-E65-67
RELAY TWO-TONE HORN	6c0	6cL	FOOTWELL LEFT ON RELAY SUPPORT 1	E21
RELAY ACTUATION HEATING	6c0	6cL	FOOTWELL LEFT ON RELAY SUPPORT 1	N41
RELAY RADIATOR FAN 1 STAGE 1	6c0	6cL	FOOTWELL LEFT ON RELAY SUPPORT 1	F50
RELAY RADIATOR FAN 1 STAGE 2	6c0	6cL	FOOTWELL LEFT ON RELAY SUPPORT 1	G50
RELAY RADIATOR FAN 2 STAGE 1	6c0	6cL	FOOTWELL LEFT ON RELAY SUPPORT 1	D50
RELAY RADIATOR FAN 2 STAGE 2	6c0	6cL	FOOTWELL LEFT ON RELAY SUPPORT 1	E50
RELAY TERM.X	6c0	6cL	FOOTWELL LEFT ON RELAY SUPPORT 1	J160
RELAY ENGINE COMPARTMENT CLEANER FAN	15b0	15b0	REAR LUGGAGE COMPARTMENT LEFT, ON RELAY SUPPORT 2	K/L50
RELAY FOG LIGHT SWITCH OFF USA/JAPAN	6c0	6cL	FOOTWELL LEFT ON RELAY SUPPORT 1	E10
RELAY SECONDARY AIR PUMP	15b0	15b0	REAR LUGGAGE COMPARTMENT LEFT, ON RELAY SUPPORT 2	M111
RELAY MIRROR / REAR WINDOW DEFOGGER	6c0	6cL	FOOTWELL LEFT ON RELAY SUPPORT 1	G60
RELAY SPOILER EXTEND	15b0	15b0	REAR LUGGAGE COMPARTMENT LEFT, ON RELAY SUPPORT 2	K80
RELAY SPOILER RETRACT	15b0	15b0	REAR LUGGAGE COMPARTMENT LEFT, ON RELAY SUPPORT 2	L80
RELAY START LOCK	15b0	15b0	REAR LUGGAGE COMPARTMENT LEFT, ON RELAY SUPPORT 2	K160
RELAY DAYTIME RUNNING LIGHT	6c0	6cL	FOOTWELL LEFT ON RELAY SUPPORT 1 DOUBLE RELAY	G/H10
RELAY HCS	6c0	6cL	FOOTWELL LEFT ON RELAY SUPPORT 1	F30
RELAY WIPER INTERMITTENT CONTROL	6c0	6cL	FOOTWELL LEFT ON RELAY SUPPORT 1	E30
RELAY IGNITION / OXYGEN SENSOR	15b0	15b0	REAR LUGGAGE COMPARTMENT LEFT, ON RELAY SUPPORT 2	L111
BACKUP LIGHT SWITCH	14cN	14cN	ON GEARBOX	J10
WINDSHIELD WASHING FLUID PUMP	6d0	6d0	ON WASHER TANK REAR	D21
SECONDARY AIR PUMP	12bM	12bM		F/G111
FUSES SUPPORT	6d0	6dL	ON THE A-PILLAR IN FOOTWELL	A-P151-154
PREDETERMINED MELTING AREAS	6cN	6cN	PASSENGER'S FOOTWELL	C-F159/160
HEADLIGHT CLEANER PUMP	6d0	6d0	WINDSHIELD WASHER PUMP	C21
STARTER	13cN	13cN		M160
CONTROL UNIT ABS	4c0	4c0	FRONT LUGGAGE COMPARTMENT LEFT	B-694
CONTROL UNIT AIRBAG	7dN	7dN	FLOOR PANEL CENTER CONSOLE	O/P125/126
CONTROL UNIT ALARM SYSTEM/CENTRAL LOCKING SYSTEM	10dP	10dP	UNDER THE DRIVER SEAT	A82-88
CONTROL UNIT MFI+DI	15cP	15cP		CDE111-120
CONTROL UNIT HEATING, AIR CONDITIONING	6b0	6b0	IN CONTROL UNIT	A-E41/42
CONTROL UNIT CRUISE CONTROL WITH DRIVE MOTOR	6c0	6dM	L ABOVE FOOTWELL OUTLET NOZZLE	A/B125/126
CONTROL UNIT TIPTRONIC TRANSMISSION	15cN	15cN	IN REAR LUGGAGE COMPARTMENT	C-H101/102
LIGHTS ON BUZZER	6bP	6bP	IN CLUSTER	A/B15
FUEL LEVEL SENSOR	5d0	5d0	IN THE TANK UNDER THE BATTERY	P111
TANK VENTING VALVE	6cK	6cK		K120
AMPLIFIER	6bN	6bN	IN LUGGAGE COMPARTMENT RIGHT REAR	F/G135/136

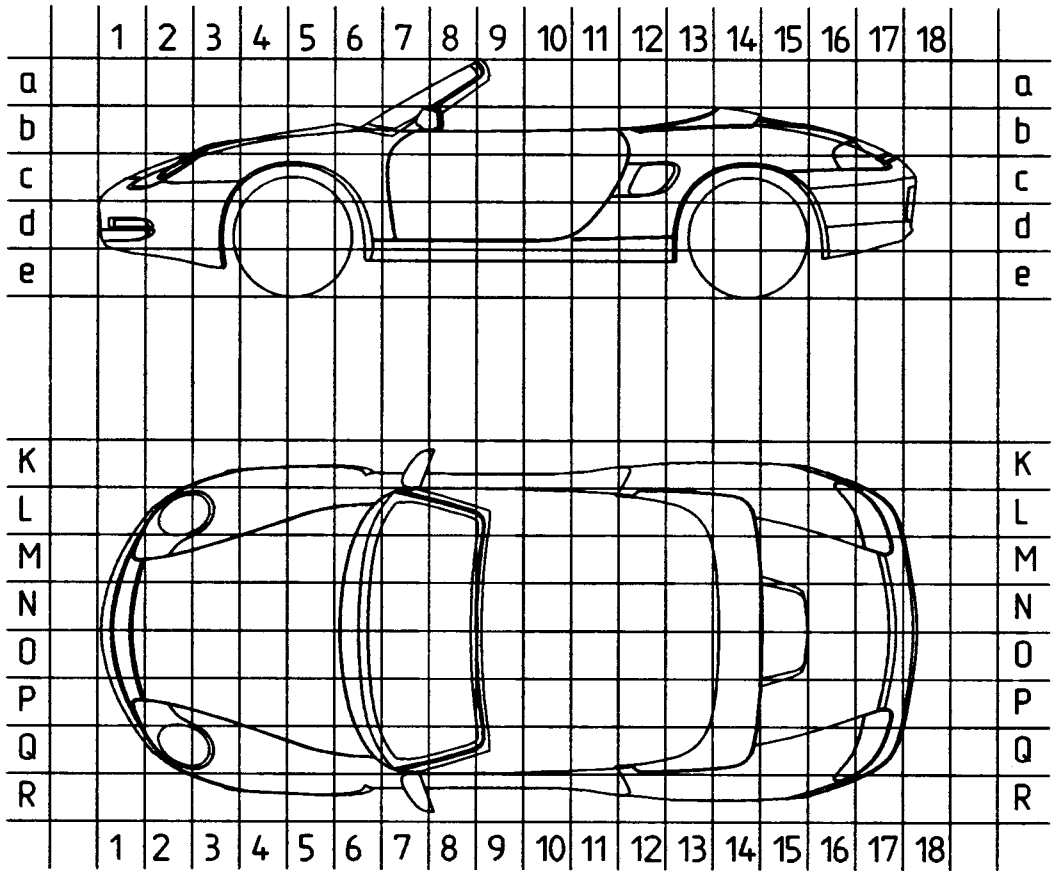
a
b
c
d
e

K
L
M
N
O
P
Q
R

K L M N O P

FIELD IN WIRING DIAGRAM

SUPPORT 2	L50
	M1
SUPPORT 2	L/M111
	N111
DOUBLE RELAY	A-E65-67
	E21
	N41
	F50
	G50
	D50
	E50
	J160
SUPPORT 2	K/L50
	E10
SUPPORT 2	M111
	G60
SUPPORT 2	K80
SUPPORT 2	L80
SUPPORT 2	K160
DOUBLE RELAY	G/H10
	F30
	E30
SUPPORT 2	L111
	J10
	D21
	F/G111
	A-P151-154
	C-F159/160
	C21
	M160
	B-G94
	D/P125/126
	A82-88
	CDE111-120
	A-E41/42
	A/B125/126
	C-H101/102
	A/B15
	P111
	K120
	F/G135/136



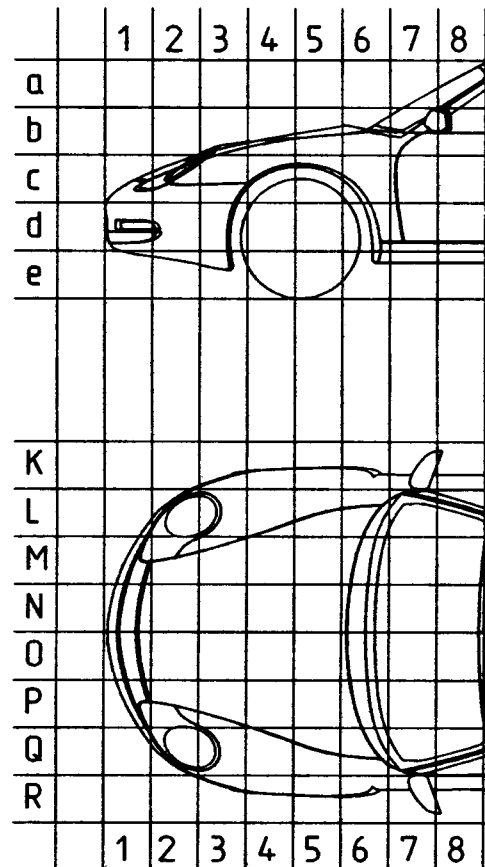
K L M N O P

FIELD IN WIRING DIAGRAM	
PARTMENT FRONT LEFT WHITE	D7/8, J17, D24, C48, M84, B96, J96.
BLACK	D4/5, C49.
BLACK	J8, G13, M47, L118, F124, L157.
BLUE	J103-106
BLACK	B63.
BLACK	J23-24, C56, H-K88, F137.
BLACK	N23-24, C54, H-K83, H137.
BLACK	M58
WHITE	F53, G123.
BLACK	M53, H123.
BLACK	K44
BLACK	C-D43
BLACK	A-B43
BLACK	M8.
WHITE	M7, L13, M48, H112, L158.
WHITE	C59.
WHITE	C52.
BLACK	M6, M14, J48, N113, J157.
YELLOW	F18, J46, M76, M87, G96, N96, N114.

ABBREVIATIONS

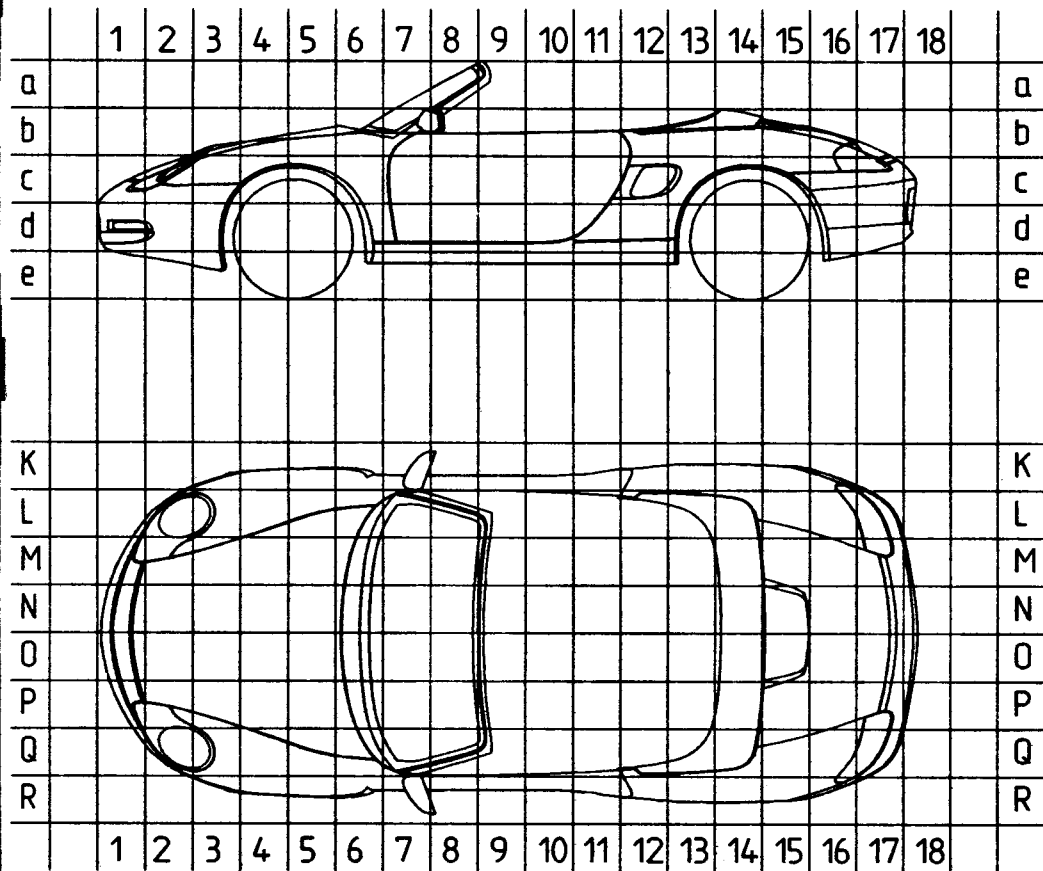
CODE	MEANING	CODE	MEANING
AAV	ACTIVE CHARCOAL ISOLAT. VALVE	HA	REAR AXLE
ABD	AUTOMATIC BRAKE DIFFERENTIAL	HF	HIGH FREQUENCY
ABS	ANTILOCK BRAKING SYSTEM	HFM	HOT-FILM AIR
AC	AIR CONDITIONING SYSTEM	HL	REAR LEFT
AGR	EXHAUST GAS RECIRCULATION	HR	REAR RIGHT
ASR	ANTI-SKID REGULATOR	KL	TERMINAL
ATF	OUTSIDE TEMP. SENSOR	KL5	COMBINED STE
BKV	BRAKE BOOSTER	KS	WIRING LOOM
BS	BRIDGE PLUG	KVA	FUEL CONSUMPT
BVA	BRAKE PAD WEAR DISPLAY	LED	LIGHT-EMITTING
CAN	SERIAL DATA TRANSFER	LL	LEFT-HAND DRIVE
CLOCK	CLOCK SIGNAL	LWR	HEADLIGHT VE
DATA	DATA SIGNAL	ME	MOTRONIK WITH
DF	SPEED SENSOR	MMI	ENGINE ACTUATOR
DFA	ENGINE-SPEED SENSOR OUTPUT	MMR	NOMINAL TORQUE
DG	ENGINE SPEED SENSOR	MP	GROUND POINT
DK	THROTTLE VALVE	NF	LOW FREQUENCY
DKG	THROTTLE VALVE SENSOR	NL	FOG LIGHT
DME	DIGITAL ENGINE ELECTRONICS	NR	NUMBER
EDS	ELECTRONIC DIFFERENTIAL LOCK	NSL	REAR FOG LIGHT
EKP	ELEC.FUEL PUMP	NTC	NEGATIVE TEMPERATURE
EV	FUEL INJECTOR	PDV	DIAGNOSIS PORT
FDR	DYNAMIC RUNNING GEAR ADJUSTMENT	PIN	PIN
FH	POWER WINDOW	POTI	POTENTIOMETER
GND	GROUND	RDK	TIRE PRESSURE

D OUTPUT		56 LIGHT SWITCH POSITION		I
DOWN SWITCH POSITION	0	56a/56b HIGH BEAM/LOW BEAM		
UP SWITCH POSITION	I-II	57 LIGHT SWITCH POSITION		I
BATTERY DISCHARGING		58 LIGHT SWITCH POSITION		I-II
DOWN SWITCH POSITION	II-III	58R/58L SIDE MARKER LIGHT RIGHT/LEFT		
UP SWITCH POSITION	I-II-III	58d INSTRUMENT LIGHTS LAMPS BULB/LED		
DIAGNOSIS K		31d INSTRUMENT LIGHTS MINUS POTENTIAL LED		
PERMANENT POSITIVE		Ti INJECTION SIGNAL		
NO		Tn ROTATIONAL SPEED SIGNAL		
RIGHT LIGHT		61 GENERATOR D+		



K L M N O P

	CODE	MEANING	CODE	MEANING
	HA	REAR AXLE	ROW	REST OF WORLD
	HF	HIGH FREQUENCY	RFL	BACKUP LIGHT
	HFM	HOT-FILM AIR MASS METER	RL	RIGHT-HAND DRIVE
	HL	REAR LEFT	SA	SAUDI ARABIA
	HR	REAR RIGHT	SG	CONTROL UNIT
	KL	TERMINAL	SI	FUSE
	KLS	COMBINED STEERING COLUMN SWITCH	SLA	SAFETY LAMP
	KS	WIRING LOOM	SRA	HEADLIGHT CLEANING SYSTEM
	KVA	FUEL CONSUMPTION INDICATOR	ST	PLUG
	LED	LIGHT-EMITTING DIODE	TC	TRACTION CONTROL
	LL	LEFT-HAND DRIVE	TEL.MUTE	RADIO MUTING CONTROL
	LWR	HEADLIGHT VERTICAL AIM CONTROL	TI	INJECTION TIME
	ME	MOTRONIK WITH ELECTRON. THROTTLE CONTROL	TN	ENGINE SPEED
	MMI	ENGINE ACTUAL IMPULSE	TS	DISCONNECTING POINT
	MMR	NOMINAL TORQUE	VA	FRONT AXLE
	MP	GROUND POINT	VOKD	LID F CONVERT: TOP HOUSING
	NF	LOW FREQUENCY	VL	FRONT LEFT
	NL	FOG LIGHT	VR	FRONT RIGHT
	NR	NUMBER	VS	CONNECTING POINT
	NSL	REAR FOG LIGHT	WW	WORLDWIDE
	NTC	NEGATIVE TEMPERATURE COEFFICIENT	ZK	IGNITION CIRCUIT
	PDV	DIAGNOSIS PUMP FOR TANK LEAK RECOGNITION DEVICE	ZV	CENTRAL LOCKING SYSTEM
	PIN	PIN		
	POTI	POTENTIOMETER		
	RDK	TIRE PRESSURE CONTROL		



K L M N O P

Boxster MODEL 97 SHEET 19

WELDING POINT

A	B	C	D	E
WELDING POINT IN WL PASSENGER COMP.			WELDING POINT IN WL PASSENGER COMP.	
CP-NO.	WIRE COLOR	DESIGNATION, FUNCTION	POSITION IN VEHICLE LHD RHD	FIELD IN WIRING DIAGRAM
1	BR	GROUND		D164
2	BR	GROUND		E164
3	BR/BL	ELECTRONICS GROUND		L169
4	BR	GROUND		G164
6	BR	GROUND		H164
7	BR	GROUND		A169
9	BR	GROUND		G164
16	BR	GROUND		K164
22	WT/BK	TERM.56		H3
33	BK/WT	TURN SIGNALS LEFT		K4
34	BK/GN	TURN SIGNALS RIGHT		L6
37	BR/GN	BRAKE PAD WEAR DISPLAY FR		J19
38	BR/BK	BRAKE PAD WEAR DISPLAY FR		J19
39	BL	TERM.61 CHARGE INDICATOR		E15
42	GR/BL	TERM.58d		M16
46	BR/OR	ANALOG GROUND		F14
49	BK/YE	TERM.X		C27
53	BR/BK	BRAKE PAD WEAR DISPLAY FL CLUSTER		H19
54	BR/GN	BRAKE PAD WEAR DISPLAY FL CLUSTER		H19
55	BR	BR.P.WEAR.DIS. FL GR. WHEEL CARRIER		G19
56	BR	BR.P.WEAR.DIS. FR GR. WHEEL CARRIER		H19
61	GR/GN	REAR WINDOW DEFOGGER		F57
65	BK/GR	TERM.87 RELAY ACTUATION HEATING		M46
69	BR/GN/BK	COMFORT OPEN		D69
70	BR/GN	DOORCLAW BLANK		H84
72	GR/WT	ALARM SIREN		E83
73	BR/YE	DOOR LIGHT		K87
74	BR/GN/WT	DOORCLAW BLANK		H86
75	BL/WT/BR	DOOR LOCKED		H85
76	BR/RE	DOOR LOCK UP		H86
77	BR/WT	DOOR LOCK CLOSE		H84
81	GN/OR	DOOR LOCK CLS MOTOR		J85
82	BL/YE	DOOR LOCK CLS MOTOR		J85
88	WT/BR	ESD, RL CLUSTER MFI + D		F96
100	RE/BL	TERM.86 RELAY ELEC.FUEL PUMP		N14
104	OR/BK	K1 - LEAD	Re9 Re9	P119
108	GN/RE	CU AIRBAG CRASH OUTPUT		M126
110	OR/RE	DIAGNOSE AND CONTROL CLUSTER		C126
113	RE/GN	TERM.30 TELEPHONE		M136
CP-NO.	WIRE COLOR	DESIGNATION, FUNCTION	POSITION IN VEHICLE LHD	FIELD IN WIRING DIAGRAM
115	BK/YE	TERM.XE SI C 7 CONTROL LINE		
119	RE/WT	IGNITION LOCK		
120	RE/BK	TERM.30 F6 CURRENT DISTRIBUTOR		
121	RE	GENERAL ON BOARD COMP. NETWORK		
123	BK/YE	TERM.X IGNITION LOCK		
124	BK	TERM.15 IGNITION LOCK		
127	BK/BR	TERM.15 SI B 8		
129	BK/RE	TERM.15 SI B 10		
130	RE/BK	TERM.30 M113 DAYTIME RUNNING LIGHT		
132	BK	TERM.15 SI B 6		
133	BK/YE	TERM.X DAYTIME RUNNING LIGHT		
137	YE/BK	D-TELEPHONE MUTE		
138	YE/BK	HANDY MUTE		
139	YE/BK	D-TELEPHONE MUTE		
140	YE/BK	HANDY MUTE		
141	BR/WT	SPEED SENSOR FL		
142	BR/BL	SPEED SENSOR FL		
143	BR/WT	SPEED SENSOR FR		
144	BR/BL	SPEED SENSOR FR		
151	BL/GN/RE	LID LOCK		
152	BL/YE/RE	LID LOCK		
155	BK	LEAD CD-CHANGER		
156	BR	LEAD CD-CHANGER		
157	BR/BL	AUDIO OPTION PACK RADIO LF-WIRE		
CP-NO.	WIRE COLOR	DESIGNATION, FUNCTION	POSITION IN VEHICLE LHD	FIELD IN WIRING DIAGRAM
1				
2	BR	GROUND		
3				
4				
5				
6				
7	BK/YE	+ TWO-TONE HORNS		
8	BR	- TWO-TONE HORNS		
9				
10				
CP-NO.	WIRE COLOR	DESIGNATION, FUNCTION	POSITION IN VEHICLE LHD	FIELD IN WIRING DIAGRAM
1				
2	BR	GROUND		
3				
4				
5				
6				
7				
8				
9				
10				

K

L

M

N

O

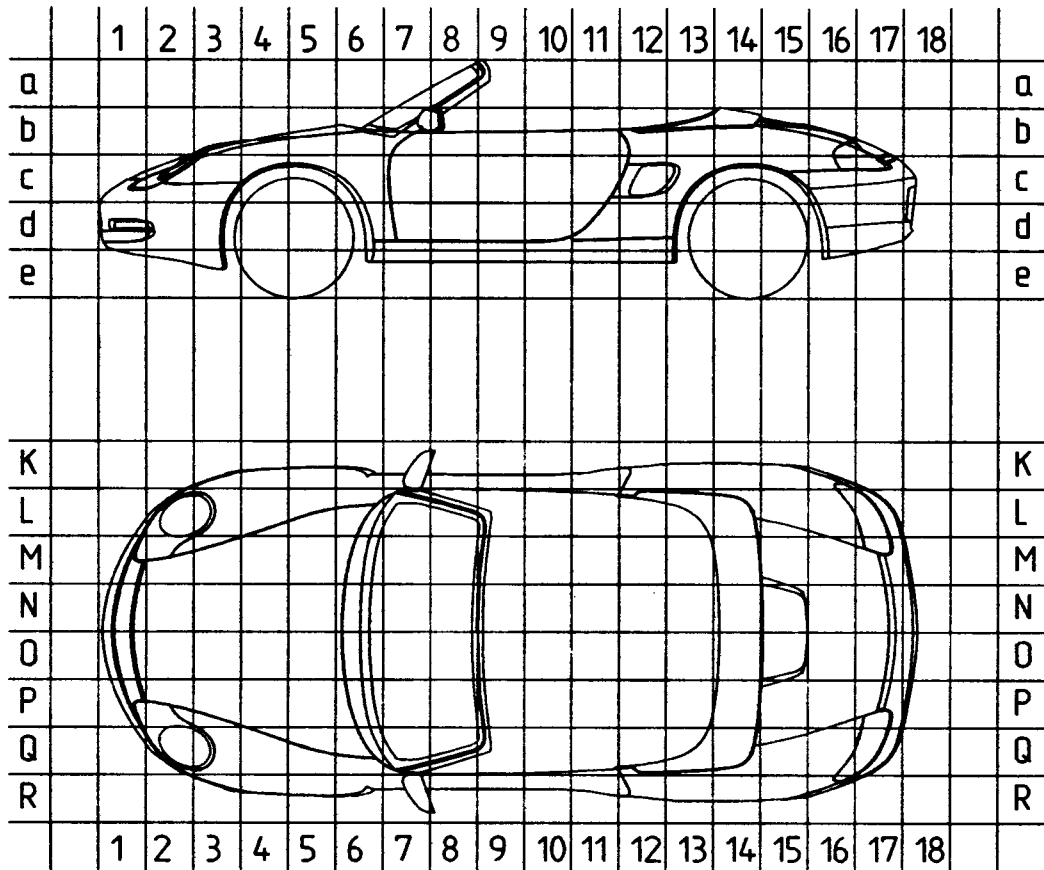
P

WELDING POINT IN WL MOTOR

P-NO.	WIRE COLOR	DESIGNATION, FUNCTION	POSITION IN VEHICLE		FIELD IN WIRING DIAGRAM
			LHD	RHD	
1	BL/RE	GROUND OXYGEN SENSOR			H113
2	BK	TERM.15 OXYGEN SENSOR			F112
3	BR/PK	GROUND SENSORS			C118
4	BR	GROUND SHIELD			E112
5	BR	GROUND IGNITION CYL.1-3 GP 12			B111
6	BR	GROUND IGNITION CYL.4-6 GP 11			B114
7					
8	RE/M	5V-SUPPLY			C119
9	RE/BL	VALVE SUPPLY			J119
10	BK	TERM.15E FUEL INJECTORS			H119
11	GR/GN	SUPPLY SECONDARY AIR PUMP			G114
12					
13					
14	BR	GROUND KNOCK SENSORS			C117
15					
16					
17					
18	BK/BL	TERM.15 CU TIPTRONIC			G103
19					
20	BR	TERM.31 CU TIPTRONIC			E104
21	PK/BK	SWITCH LIFTING WIRE 1			E105
22	BL/YE	SWITCH LIFTING WIRE 2			E105
23	BL/WT	SWITCH LIFTING WIRE 3			E105
24	BL/BK	SWITCH LIFTING WIRE 4			E105
25					
26					
27	YE/BL	SUPPLY SOLENOID VALVE			C106
28					
29					
30					

WELDING POINT IN WL MOTOR

CP-NO.	WIRE COLOR	DESIGNATION, FUNCTION	POSITION IN VEHICLE		FIELD IN WIRING DIAGRAM
			LHD	RHD	
31	RE/WT	OXYGEN SENSOR UPSTR.CAT.			G113
32	BR/OR	OIL LEVEL SENSOR			K14
33					
34					
35					
36					
37					
38					
39					
40	RE/GR	HALL SENSOR			C116
41					
42					
43					



K

L

M

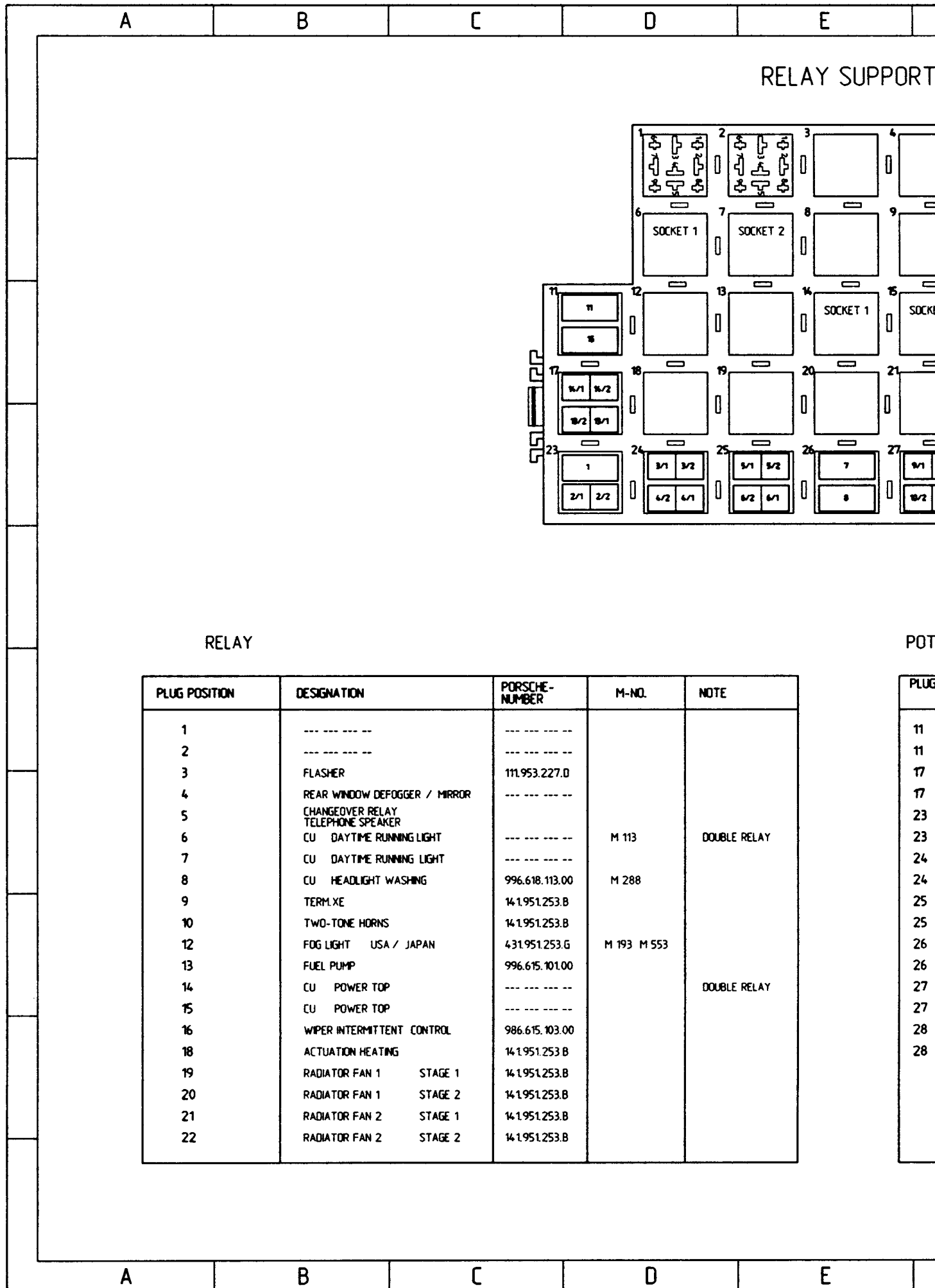
N

O

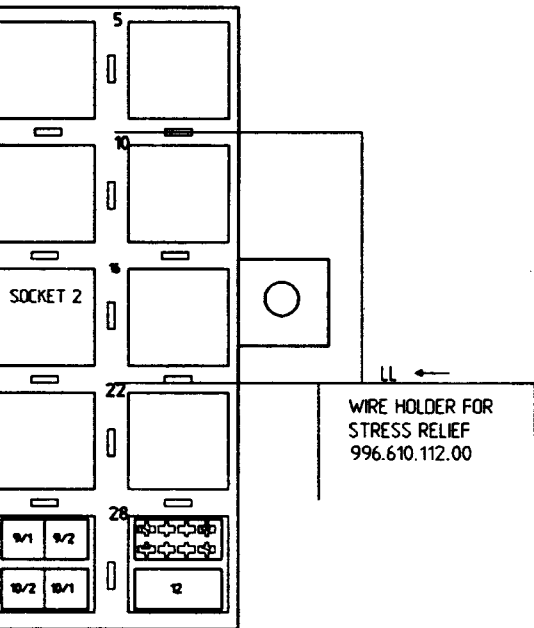
P

Boxster MODEL 97 SHEET 20

RELAY SUPPORT 1 RELAY SUPPORT 2



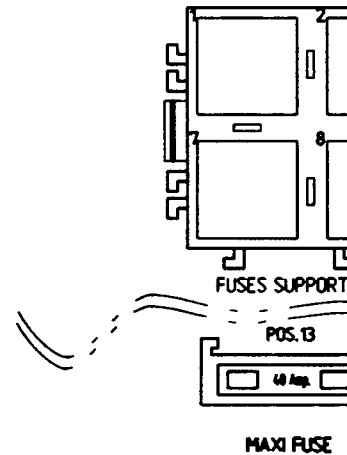
PORT 1



POTENTIAL DISTRIBUTOR BRIDGE PLUG

PLUG POSITION NAME	COLOR	POTENTIAL	NAME	COLOR	POTENTIAL	NOTE
11 BS. 11	BR	TERM.31 GP 4				8 PINS
11 BS. 15	GR/RE	TERM.58d LED				8 PINS
17 BS. 13/1	OR	TERM.86S SI E 1	BS. 13/2	BK/OR	TERM.15 SI B 5	ONLY 996
17 BS. 14/1	BK/YE	TERM.X WIPER	BS. 14/2	BK	TERM.15 STOP LIGHT FUSE INPUT	ONLY 996
23 BS. 1	GR/PK	TERM. SPEEDOMETER A				8 PINS
23 BS. 2/1	BR/YE	SIGNAL PARKING BRAKE	BS. 2/2	BR/BL	TERM.31 ELECTRONICS GROUND	
24 BS. 3/1	YE/WT	FOG LIGHT	BS. 3/2	YE	TERM.56 RIGHT	
24 BS. 4/1	X/X	TELEPHONE / HANDY MUTE	BS. 4/2	VI/GN	TERM. TN-SIGNAL	
25 BS. 5/1	WT	TERM.56a	BS. 5/2	BK/OR	TERM.54 STOP LIGHT	
25 BS. 6/1	NOT USED		BS. 6/2	GR/BL/BR	TERM.31d LED	
26 BS. 7	RE/BK	CONSUMER SWITCHED OFF				8 PINS
26 BS. 8	OR/BL	K2 - LEAD				8 PINS
27 BS. 9/1	RE/BR	TERM.30 CLS	BS. 9/2	RE/BK	TERM.30 SI B 1	
27 BS. 10/1	GR	TERM.58 SI A 5	BS. 10/2	GR/BL	TERM.58d LAMP BULB	
28	NOT USED				NOT USED	
28 BS. 12	BR	TERM.31 GP 3				8 PINS

VIEW OF SIDE OF RELAY SOCKET



RELAY PO

PLUG POSITION NAME
1
2
3
4
5
7
8
9
10
11
6
12
13
14

K

L

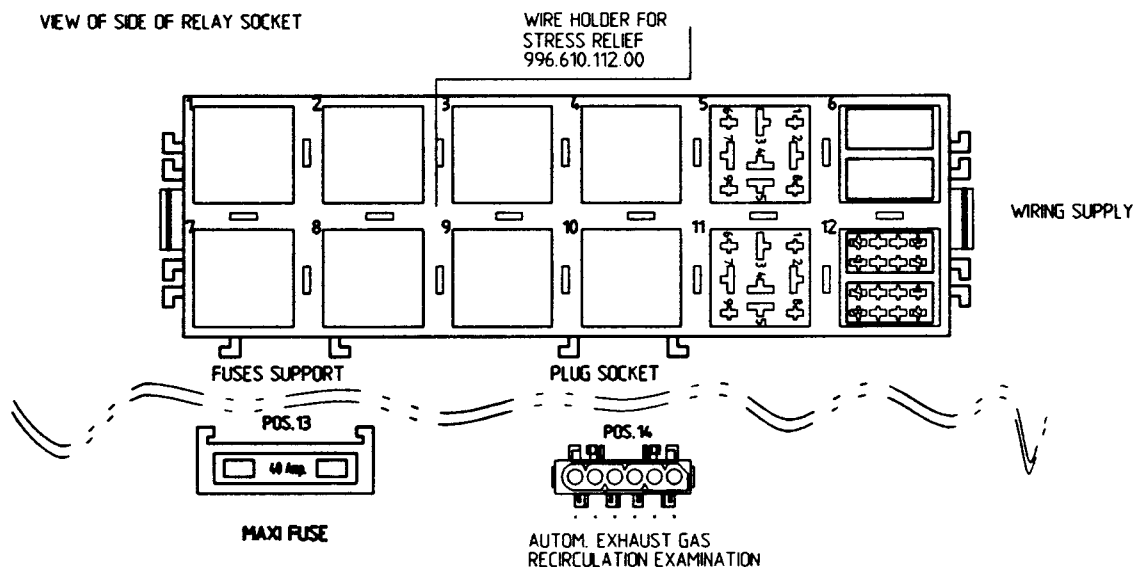
M

N

O

P

RELAY SUPPORT 2



RELAY POTENTIAL DISTRIBUTOR BRIDGE PLUG

PLUG POSITION NAME	DESIGNATION	PORSCHE-NUMBER	M-NO.	NOTE
1	RELAY MFI-DI	14.1951.253.B		
2	IGNITION / OXYGEN SENSOR	14.1951.253.B		
3	SPOILER EXTEND	996.615.102.00		
4	AIR COMPRESSOR	964.615.215.00	M 573	
5	-----	-----		
7	START LOCK	14.1951.253.B		
8		14.1951.253.B		
9	SPOILER RETRACT	996.615.102.00		
10	SECONDARY AIR PUMP	993.615.115.00	M 661	
11	-----	-----		
6	-----	-----		
12	-----	-----		
13	MAXI FUSE FOR SECONDARY AIR PUMP		M 661	40 AMP.
14	TEST PLUG FOR AUTOM. EXHAUST GAS RECIRCULATION EXAMINATION			1 SIGNAL 2 TERML31 GROUND 6 TN-SIGNAL

K

L

M

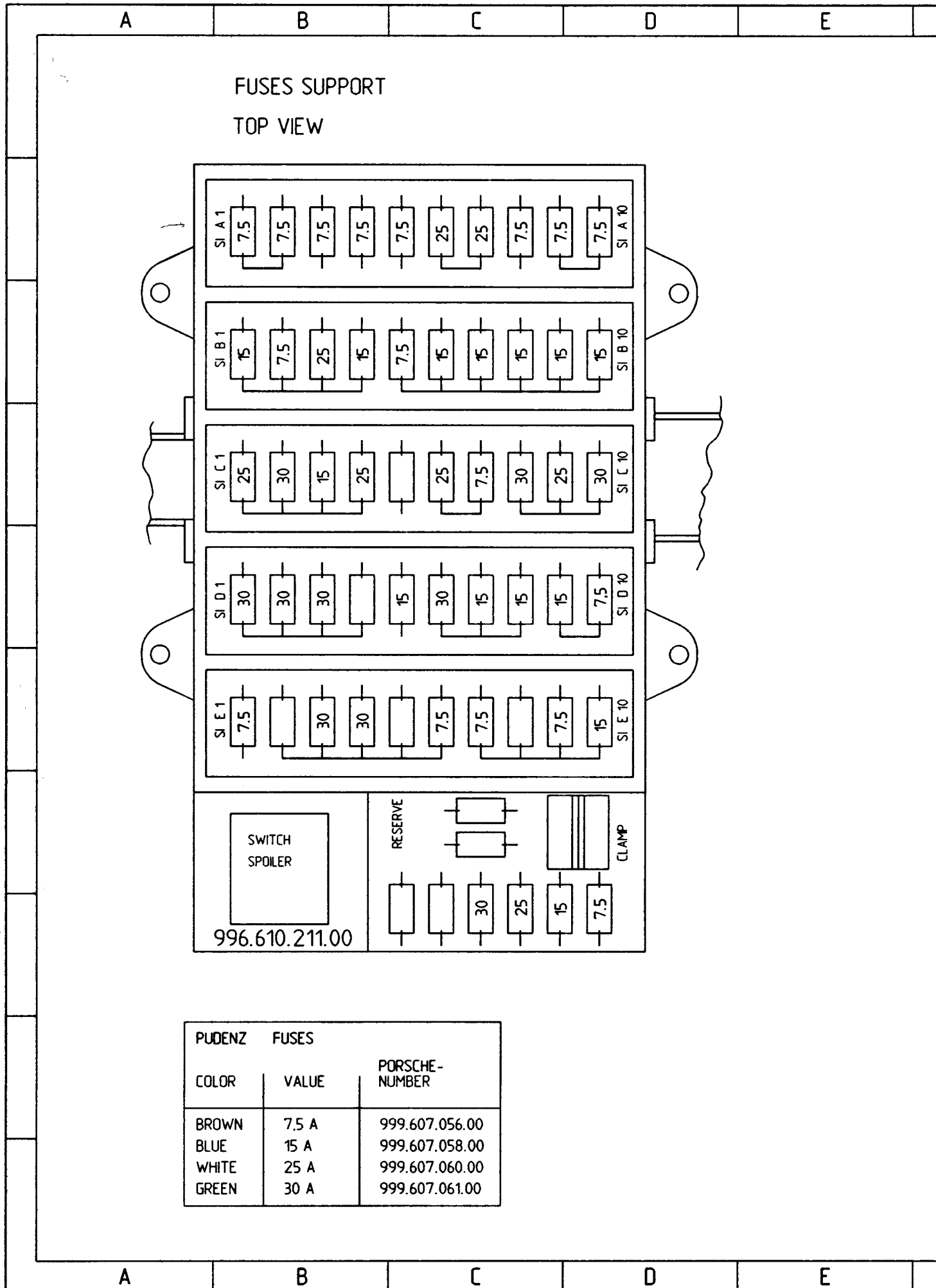
N

O

P

Boxster MODEL 97 SHEET 21

FUSES



F

G

H

J

K

L

FUSE HOLDER A

FUSE			
NO.	VALUE	DESIGNATION	M-NO.
SI A 1	7.5 A	HIGH BEAM RIGHT	
SI A 2	7.5 A	HIGH BEAM LEFT	
SI A 3	7.5 A	SIDE MARKER LIGHT RIGHT	
SI A 4	7.5 A	SIDE MARKER LIGHT LEFT	
SI A 5	7.5 A	LICENSE PLATE LIGHTS	
SI A 6	25 A	SEAT HEATER	M139/M340
SI A 7	25 A	FOG LIGHT REAR FOG LIGHT	
SI A 8	7.5 A	LICENSE PLATE LIGHTS M113 CANADA	M113
SI A 9	7.5 A	LOW BEAM RIGHT	
SI A 10	7.5 A	LOW BEAM LEFT	

FUSE HOLE

FUSE	
NO.	VALUE
SI B 1	15 A
SI B 2	7.5 A
SI B 3	25 A
SI B 4	15 A
SI B 5	7.5 A
SI B 6	15 A
SI B 7	15 A
SI B 8	15 A
SI B 9	15 A
SI B 10	15 A

FUSE HOLDER C

FUSE			
NO.	VALUE	DESIGNATION	M-NO.
SI C 1	25 A	RELAY MFI-DI	
SI C 2	30 A	RELAY IGNITION OXYGEN SENSOR	
SI C 3	15 A	CU CL/ALARM	
SI C 4	25 A	RELAY FUEL PUMP	
SI C 5			
SI C 6	25 A	WIPER	
SI C 7	7.5 A	TERM.XCONTROL WIRES	
SI C 8	30 A	RADIATOR FAN 2	
SI C 9	25 A	HEADLIGHT CLEANING SYSTEM	M288
SI C 10	30 A	RADIATOR FAN 1	

FUSE HOLE

FUSE	
NO.	VALUE
SI D 1	30 A
SI D 2	30 A
SI D 3	30 A
SI D 4	
SI D 5	15 A
SI D 6	30 A
SI D 7	15 A
SI D 8	15 A
SI D 9	15 A
SI D 10	7.5 A

FUSE HOLDER E

FUSE			
NO.	VALUE	DESIGNATION	M-NO.
SI E 1	7.5 A	TERM.86S CU CL/ALARM RADIO CLUSTER	
SI E 2			
SI E 3	30 A	BACKREST CONTROL SEAT LEFT	
SI E 4	30 A	BACKREST CONTROL SEAT RIGHT	
SI E 5			
SI E 6	7.5 A	TERM.30 TELEPHONE / HANDY	M614 / M618
SI E 7	7.5 A	AIR CONDITIONING SYSTEM	M573
SI E 8			
SI E 9	7.5 A	TERM.15 TELEPHONE / HANDY	M614 / M618
SI E 10	15 A	CU TIPTRONIC	M249

FUSE HOLE

FUSE	
NO.	VALUE
MF 1/1	40 A

F

G

H

J

K

L

FUSE HOLDER B

FUSE			
NO.	VALUE	DESIGNATION	M-NO.
SI B 1	15 A	INSTRUMENT CLUSTER/PTRONIC BUTTON ASR E/A	DIAGNOSIS
SI B 2	7.5 A	RADIO	
SI B 3	25 A	TWO-TONE HORNS	
SI B 4	15 A	ENGINE COMPARTMENT CLEANER FAN	
SI B 5	7.5 A	BACKUP LIGHT	
SI B 6	15 A	CU POWER TOP TURN SIGNALS	
SI B 7	15 A	STOP LIGHT CRUISE CONTROL	
SI B 8	15 A	CU CL/ALARM CU DME	
SI B 9	15 A	CU ABS TRACTION CONTROL	
SI B 10	15 A	INSTRUMENT CLUSTER/PTRONIC MIRROR ADJUSTMENT	

FUSE HOLDER D

FUSE			
NO.	VALUE	DESIGNATION	M-NO.
SI D 1	30 A	POWER WINDOW	
SI D 2	30 A	REAR WINDOW DEFOGGER / MIRROR	
SI D 3	30 A	CONVERTIBLE TOP DRIVE	
SI D 4			
SI D 5	15 A	CIGAR LIGHTER	
SI D 6	30 A	RELAY HEATER	
SI D 7	15 A	HAZARD-WARNING LIGHT SWITCH CU DME	
SI D 8	15 A	SPOILER EXTEND	
SI D 9	15 A	AUDIO OPTION PACK	M490
SI D 10	7.5 A	MOUNTING POINT FOR RETROFIT WARNING MAXIMUM OF 5 A	

FUSE HOLDER VARIOUS

FUSE			
NO.	VALUE	DESIGNATION	M-NO.
MF 1/1	40 A	MAXI FUSE SECONDARY AIR PUMP	M 661
		ON RELAY SUPPORT 2	LITTLE FUSE 999.607.011.00

Wiring Diagram Boxster Model 98

	Coordinates	
Sheet 1	1 - 10	Lights RoW
Sheet 2	1 - 10	Lights USA/Canada
Sheet 3	11 - 20	Instrument Cluster, Sensor
Sheet 4	21 - 30	Wipe- and Wash Cleaners, Two-Tone Horns, Power Window
Sheet 5	41 - 50	Engine Cooling, Heating, Air Conditioning System
Sheet 6	51 - 60	Mirror Adjustment, Seat Heating, Rear Window Defogger
Sheet 7	61 - 70	Convertible Top Drive
Sheet 8	71 - 80	Spoiler Extend, Parking Assistant
Sheet 9	81 - 90	Central Locks, Alarm System, Interior Monitoring
Sheet 10	91 - 100	ABS
Sheet 11	101 - 110	Tiptronic
Sheet 12	111 - 120	DME, Motorelectronic
Sheet 13	121 - 130	Cruise Control, Airbag
Sheet 14	131 - 140	Radio, Telephone
Sheet 14A	131 - 140	PCM
Sheet 15	141 - 150	Seat- and Mirror Memory
Sheet 16	151 - 160	Power Supply
Sheet 17	161 - 170	Ground Points
Sheet 18		Construction Components
Sheet 19		Connectors and Abbreviations
Sheet 20		Welding Point
Sheet 21		Relay Support
Sheet 22		Fuses

Wiring Diagram Boxster Model 98

The wiring diagram consists of individual wiring diagrams and overview sheets for ground points, components, plugs, connector points, relay holders and fuses. The individual wiring diagrams are divided up into coordinate fields.

The earth/ground points are identified by "GP" and their location is shown in a vehicle diagram.

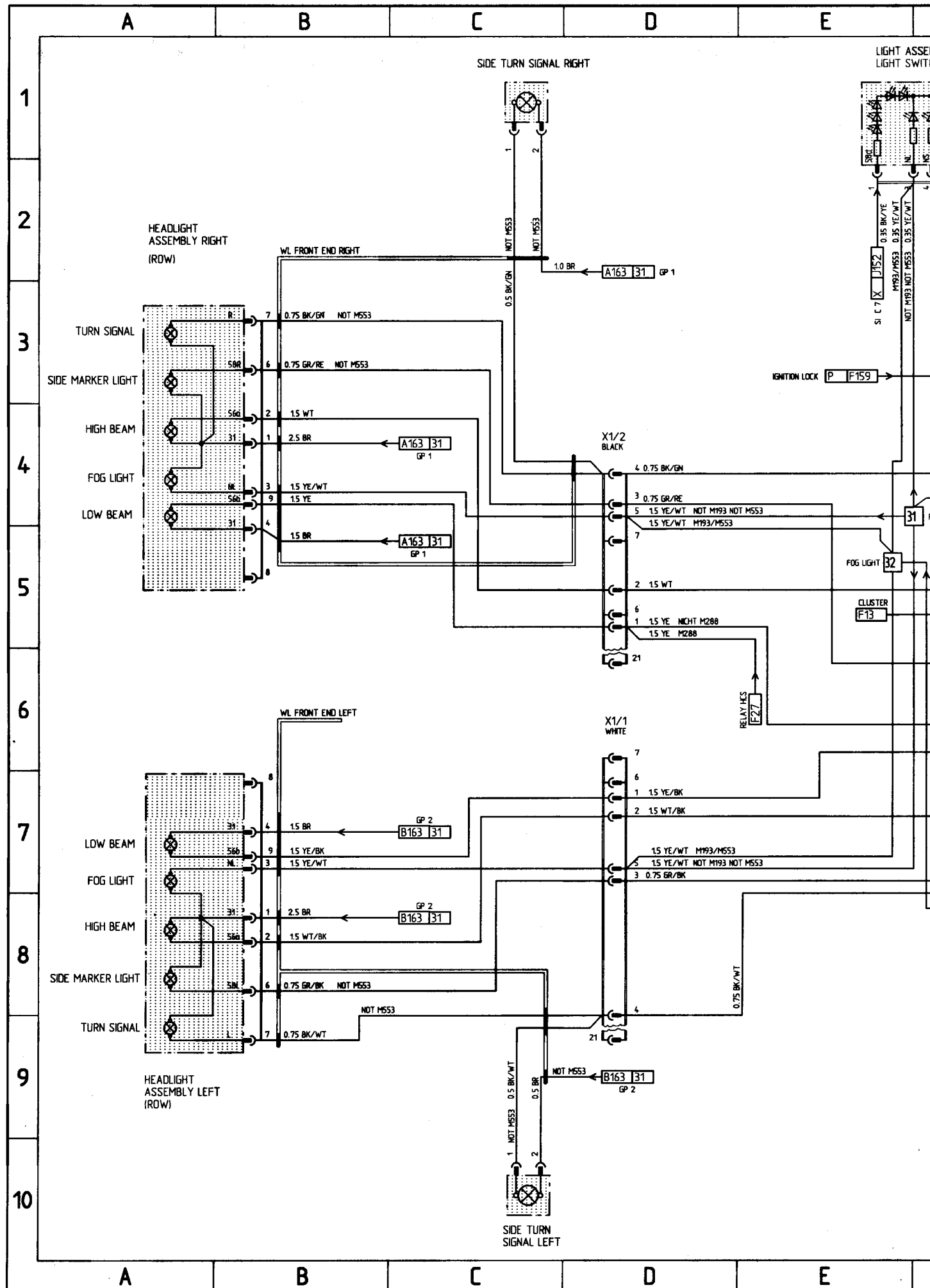
The connectors are identified by an X and a number.

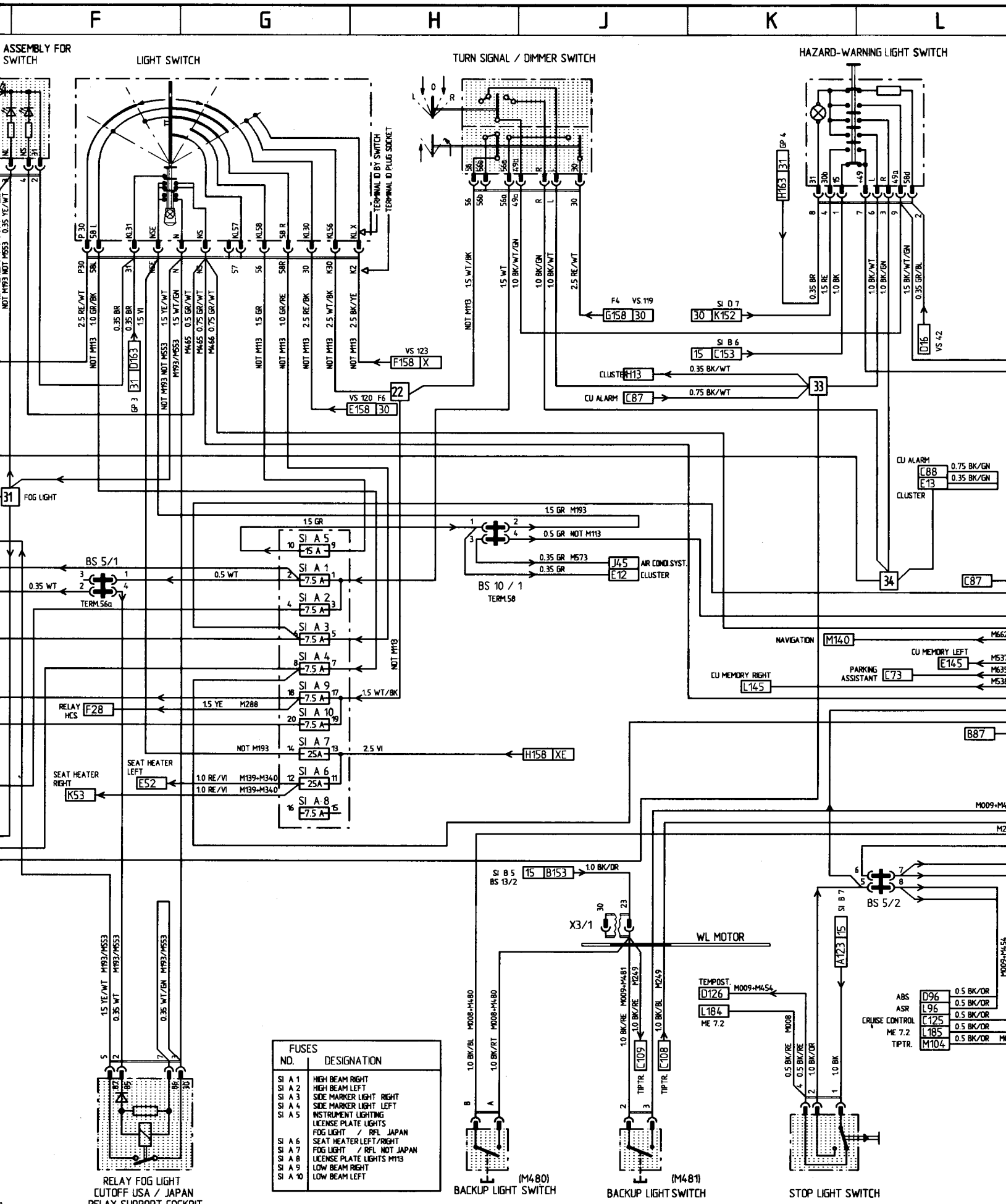
Wherever wires branch to another page, the coordinates and, in certain cases, the terminal markings are indicated.

The feed wire of wire joints and bridge connectors is indicated by an arrow.

Boxster MODEL 98 SHEET 1

LIGHTS ROW





BL = BLUE BR = BROWN YE = YELLOW GN = GREEN GR = GREY PK = PINK RE = RED BK = BLACK VI = VIOLET

K L M N O P

HAZARD-WARNING LIGHT SWITCH

RELAY SUPPORT COCKPIT
FLASHER

TAIL LIGHT ASSEMBLY
RIGHT

TURN SIGNAL
SIDE MARKER LIGHT
STOP LIGHT
BACKUP LIGHT
REAR FOG LIGHT

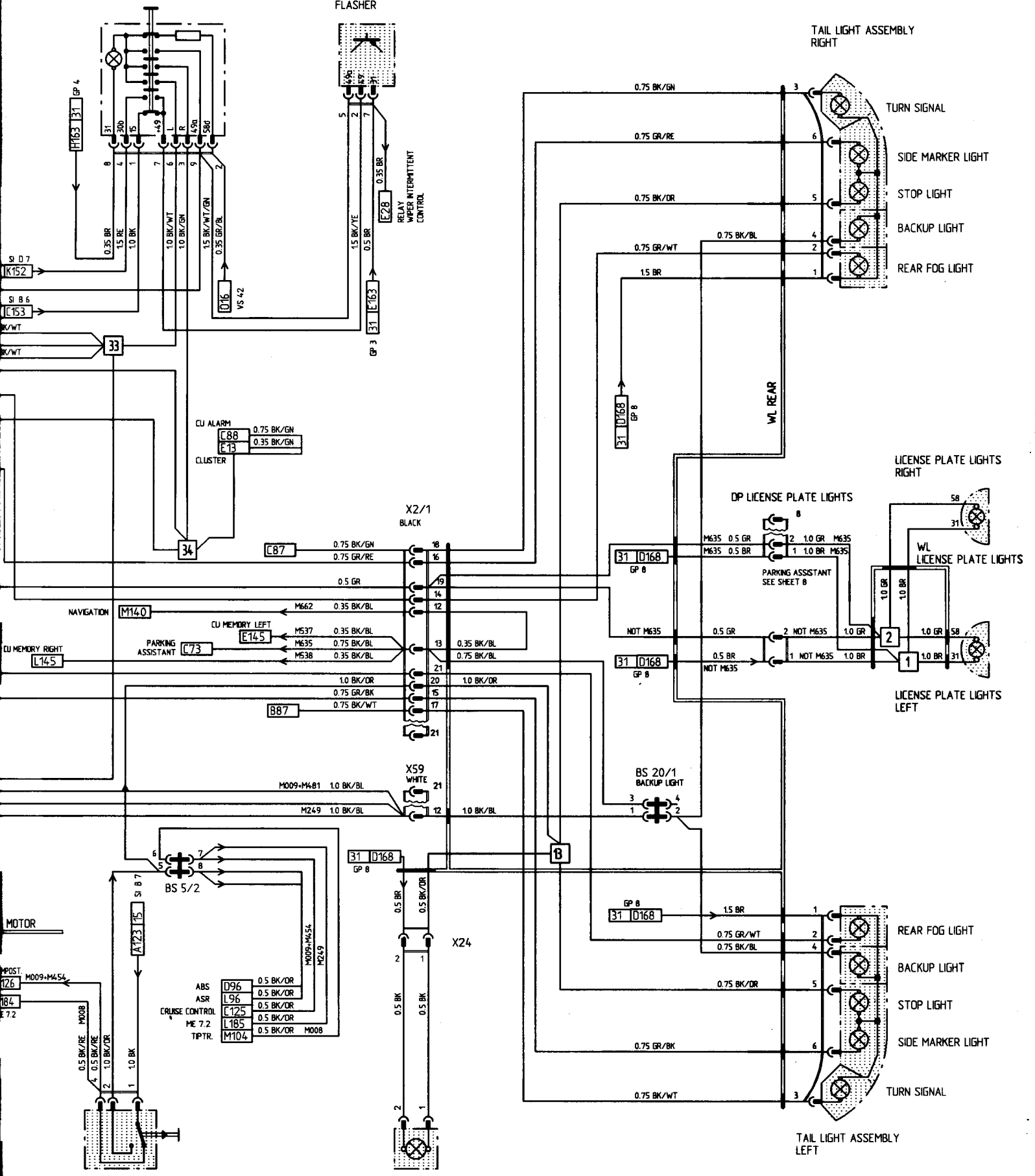
LICENSE PLATE LIGHTS
RIGHT

DP LICENSE PLATE LIGHTS

LICENSE PLATE LIGHTS
LEFT

REAR FOG LIGHT
BACKUP LIGHT
STOP LIGHT
SIDE MARKER LIGHT
TURN SIGNAL

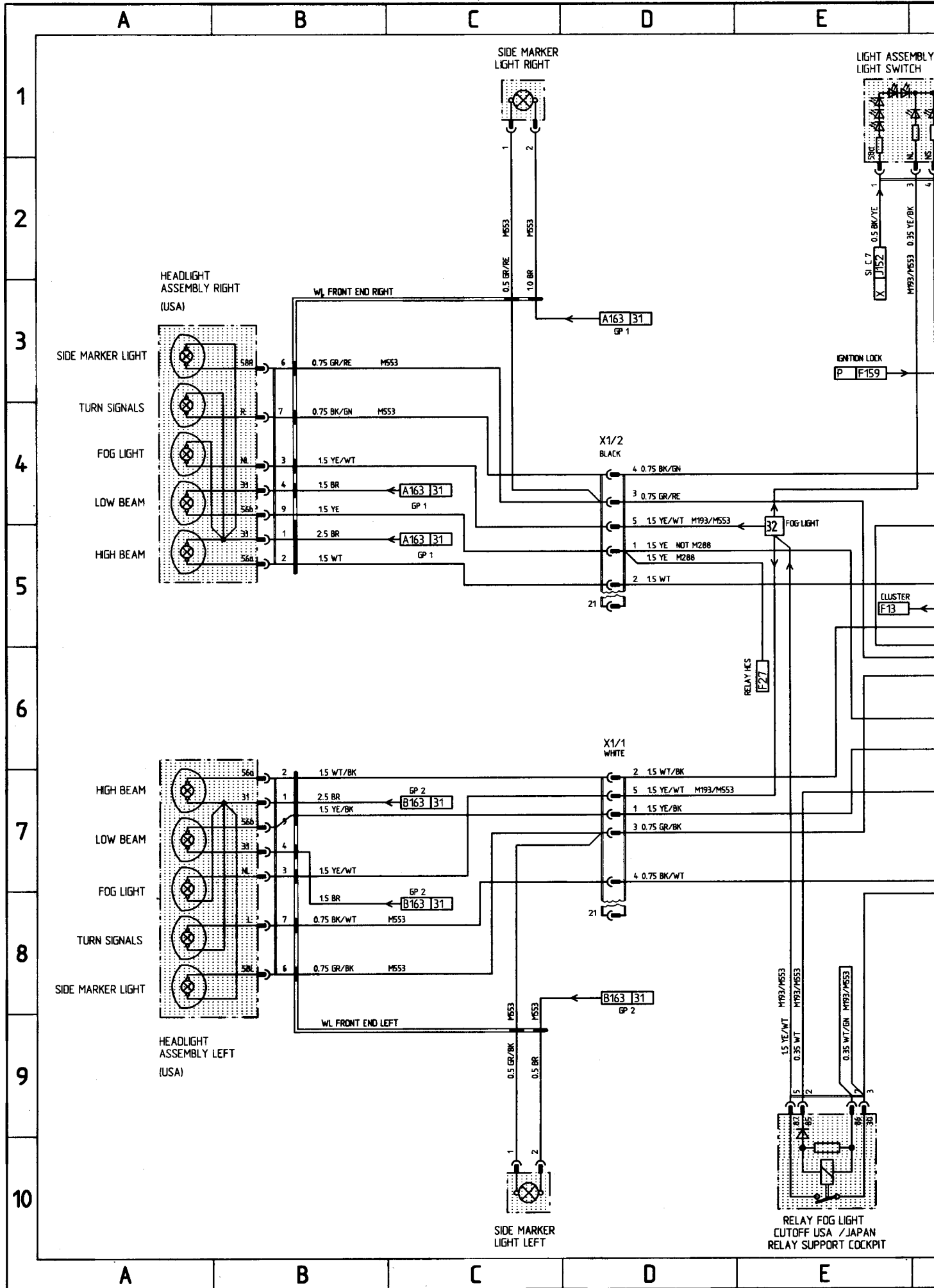
TAIL LIGHT ASSEMBLY
LEFT

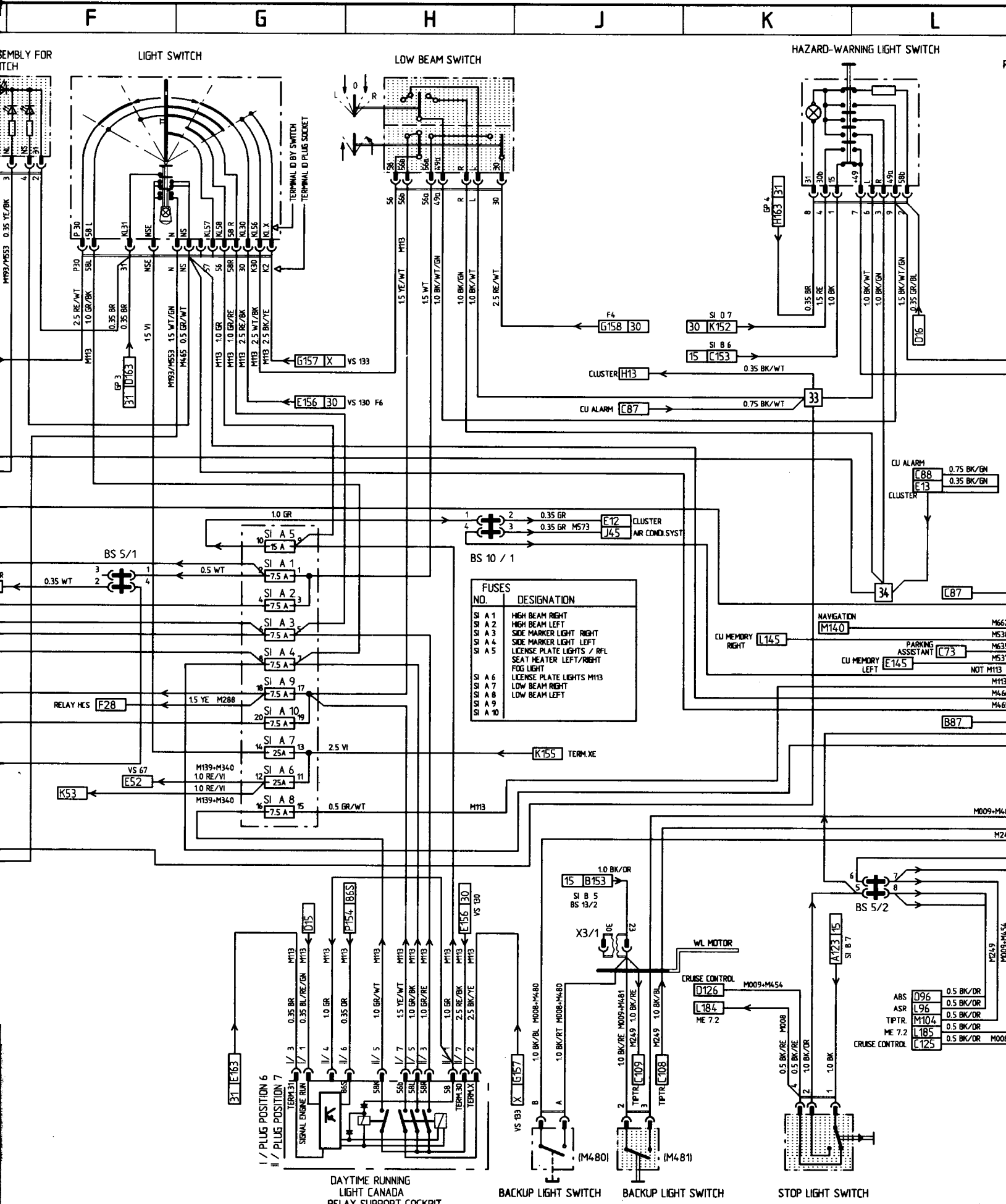


K L M N O P

Boxster MODEL 98 SHEET 2

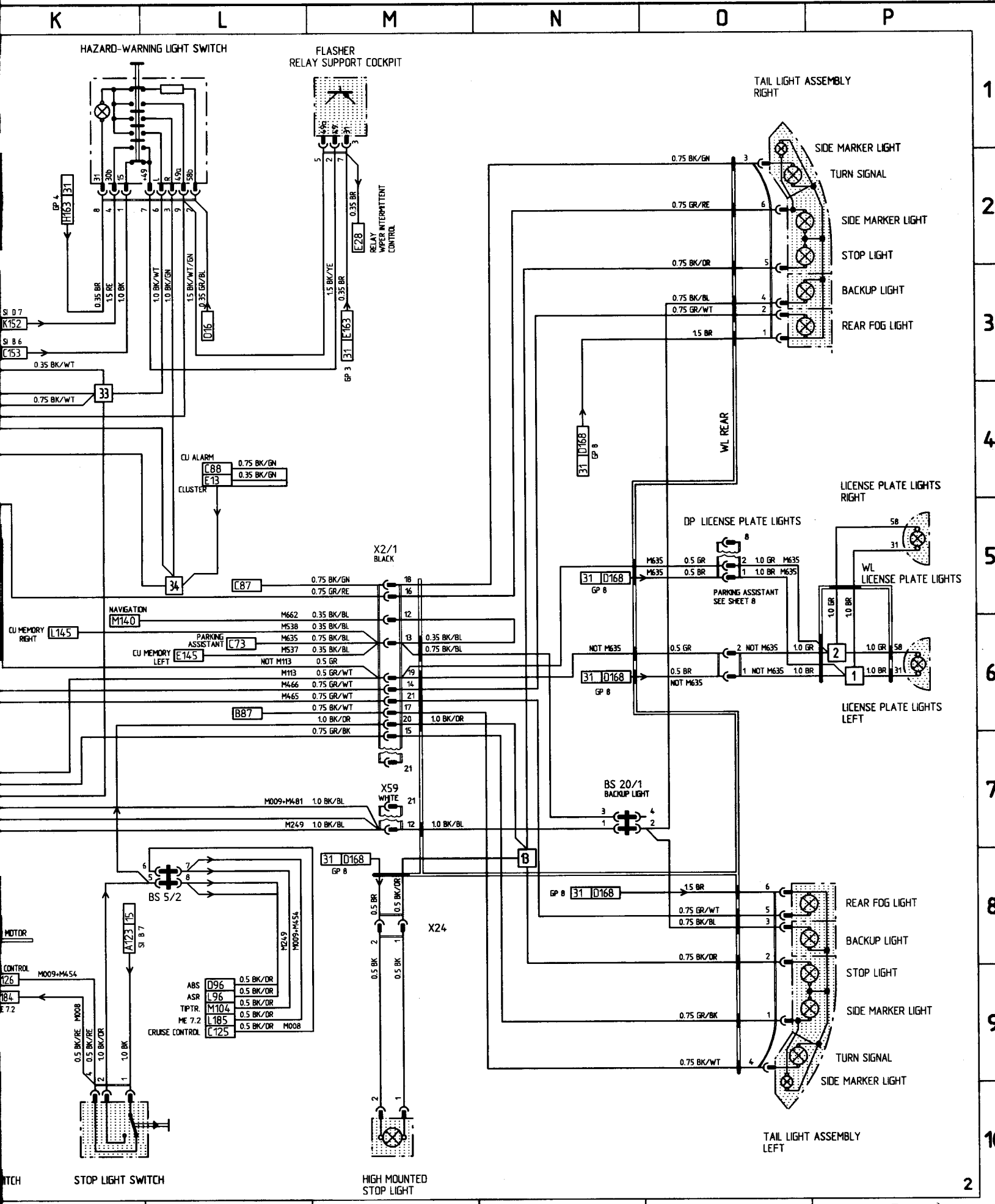
LIGHTS USA / CANADA





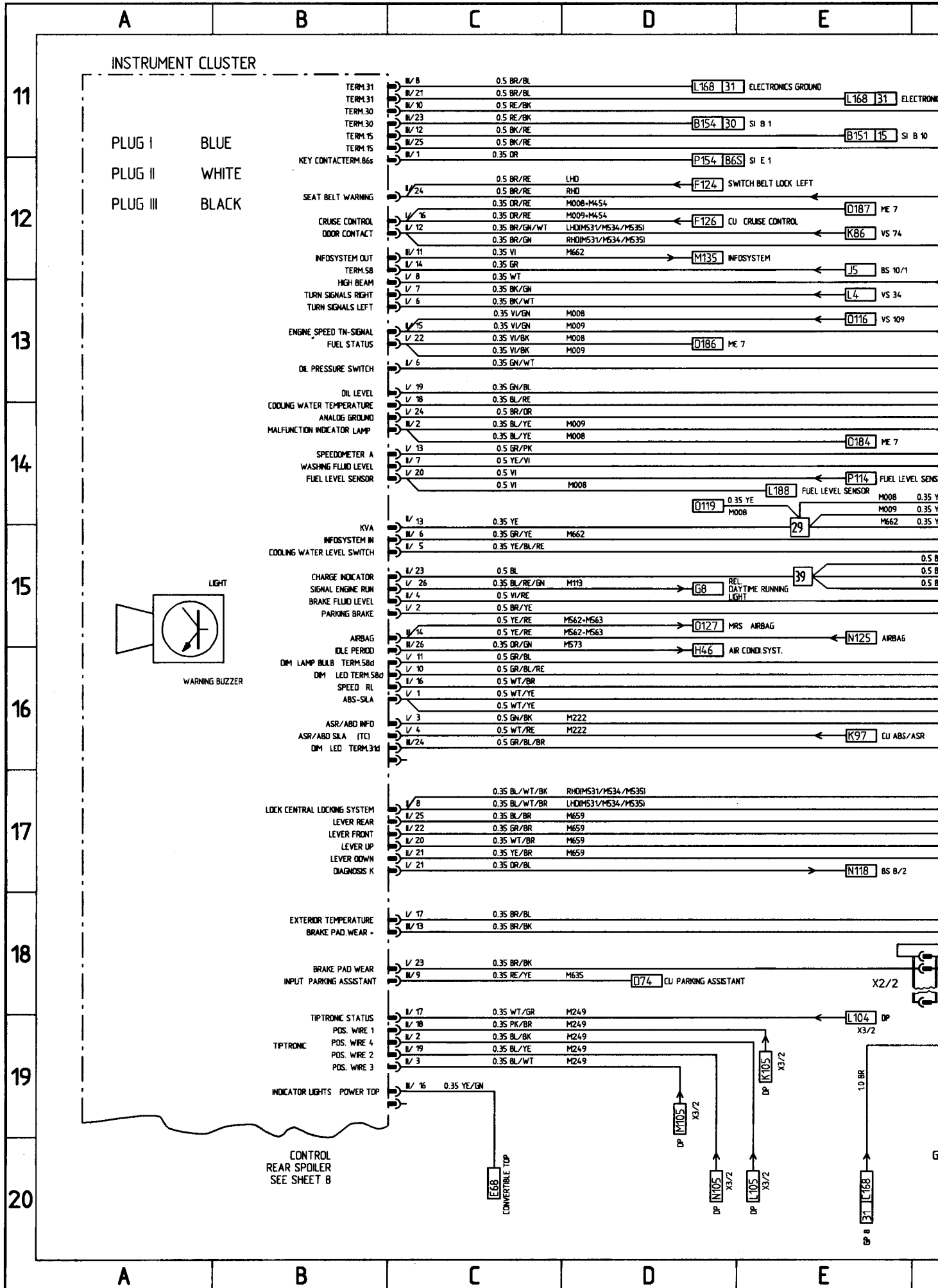
NO.	DESIGNATION
SI A 1	HIGH BEAM RIGHT
SI A 2	HIGH BEAM LEFT
SI A 3	SIDE MARKER LIGHT RIGHT
SI A 4	SIDE MARKER LIGHT LEFT
SI A 5	LICENSE PLATE LIGHTS / RFL SEAT HEATER LEFT/RIGHT FOG LIGHT
SI A 6	LICENSE PLATE LIGHTS M13
SI A 7	LOW BEAM RIGHT
SI A 8	LOW BEAM LEFT
SI A 9	
SI A 10	

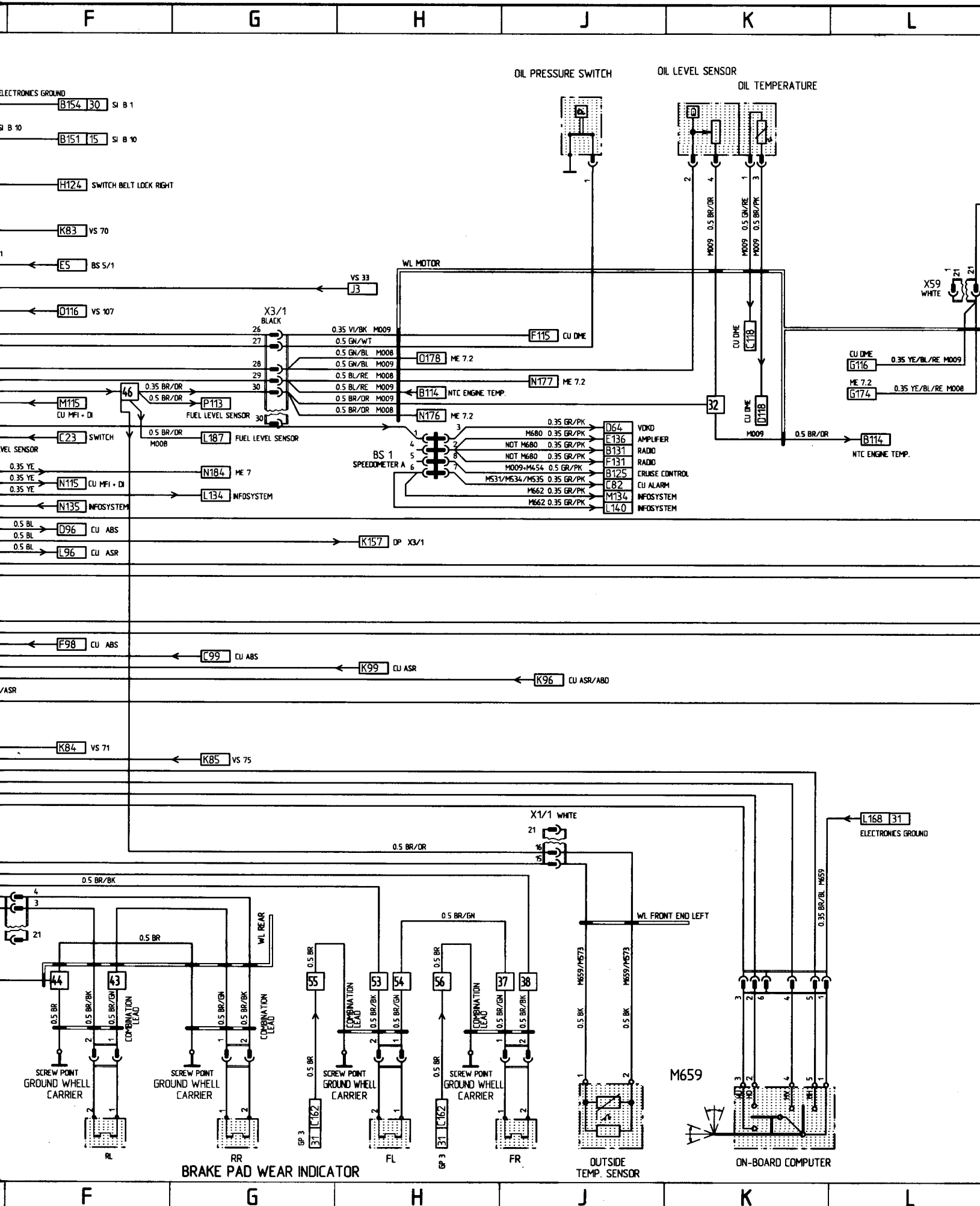
BL = BLUE BR = BROWN YE = YELLOW GN = GREEN GR = GREY PK = PINK RE = RED BK = BLACK VI = VIOLET WT



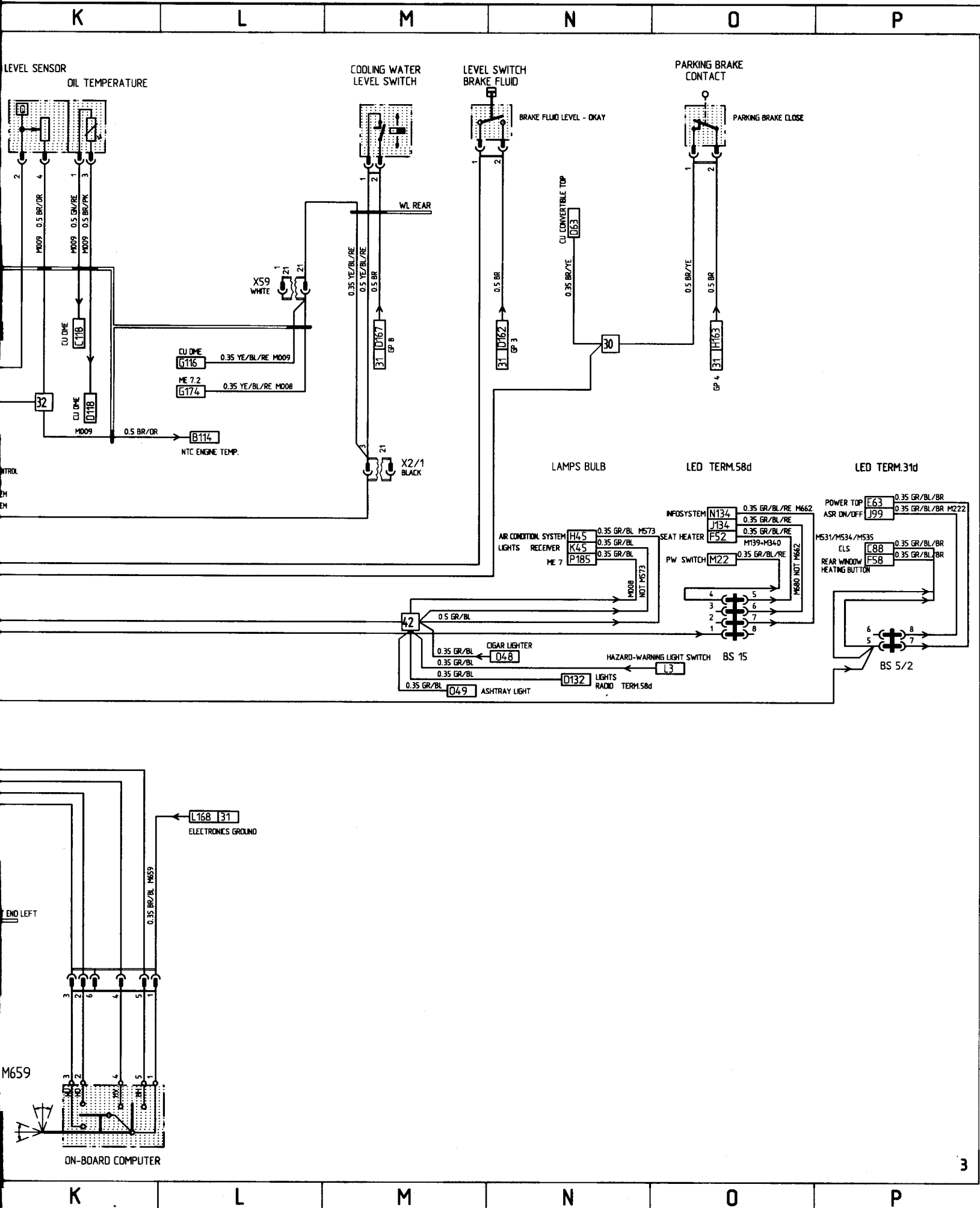
Boxster MODEL 98 SHEET 3

INSTRUMENT CLUSTER AND SENSOR



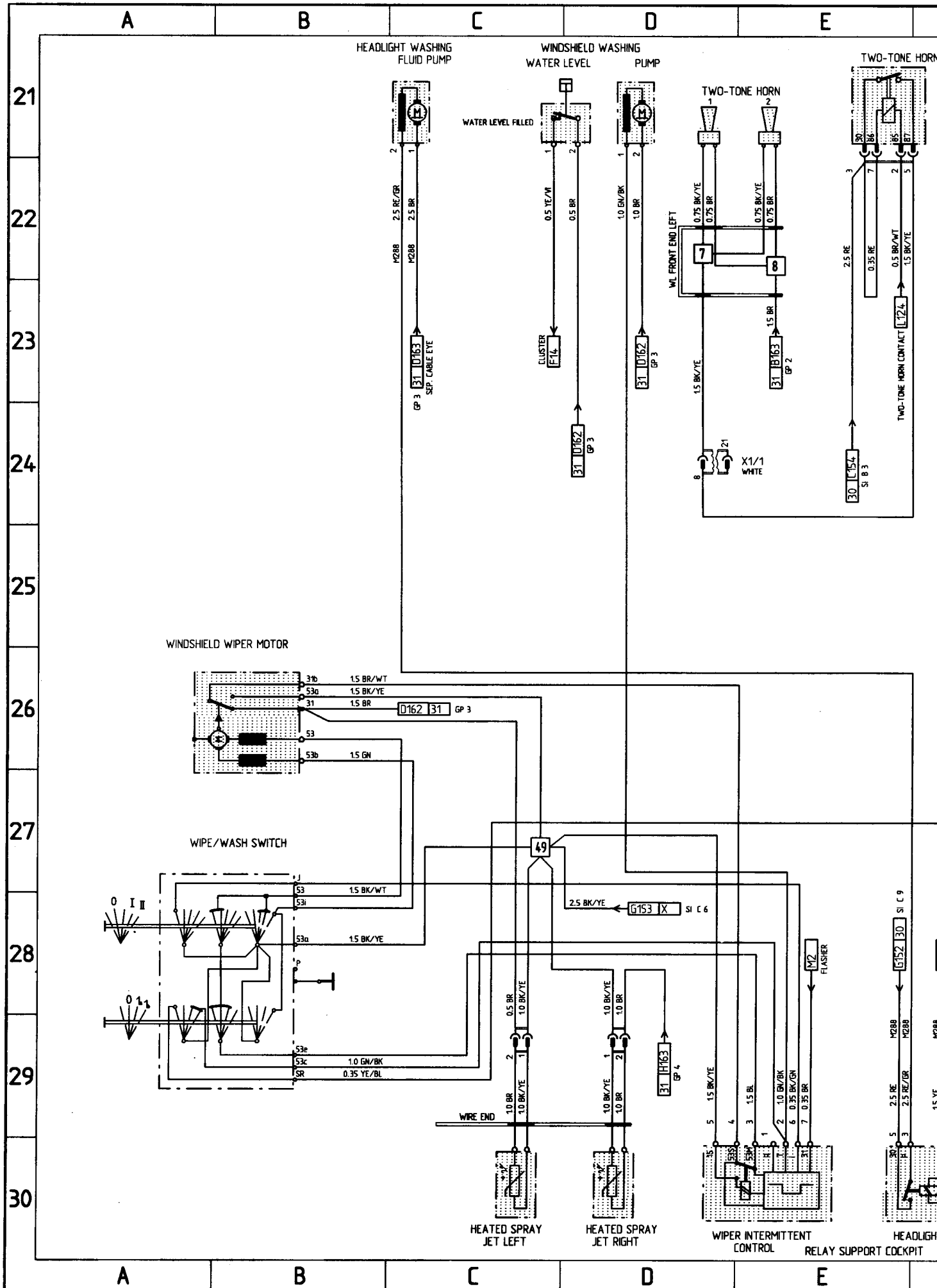


BL = BLUE BR = BROWN YE = YELLOW GN = GREEN GR = GREY PK = PINK RE = RED BK = BLACK VI = VIOLET WT = WHITE



Boxster MODEL 98 SHEET 4

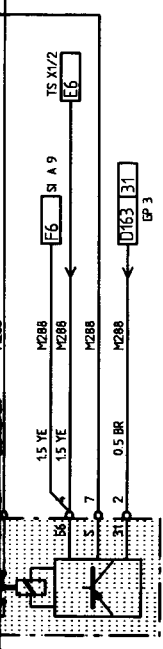
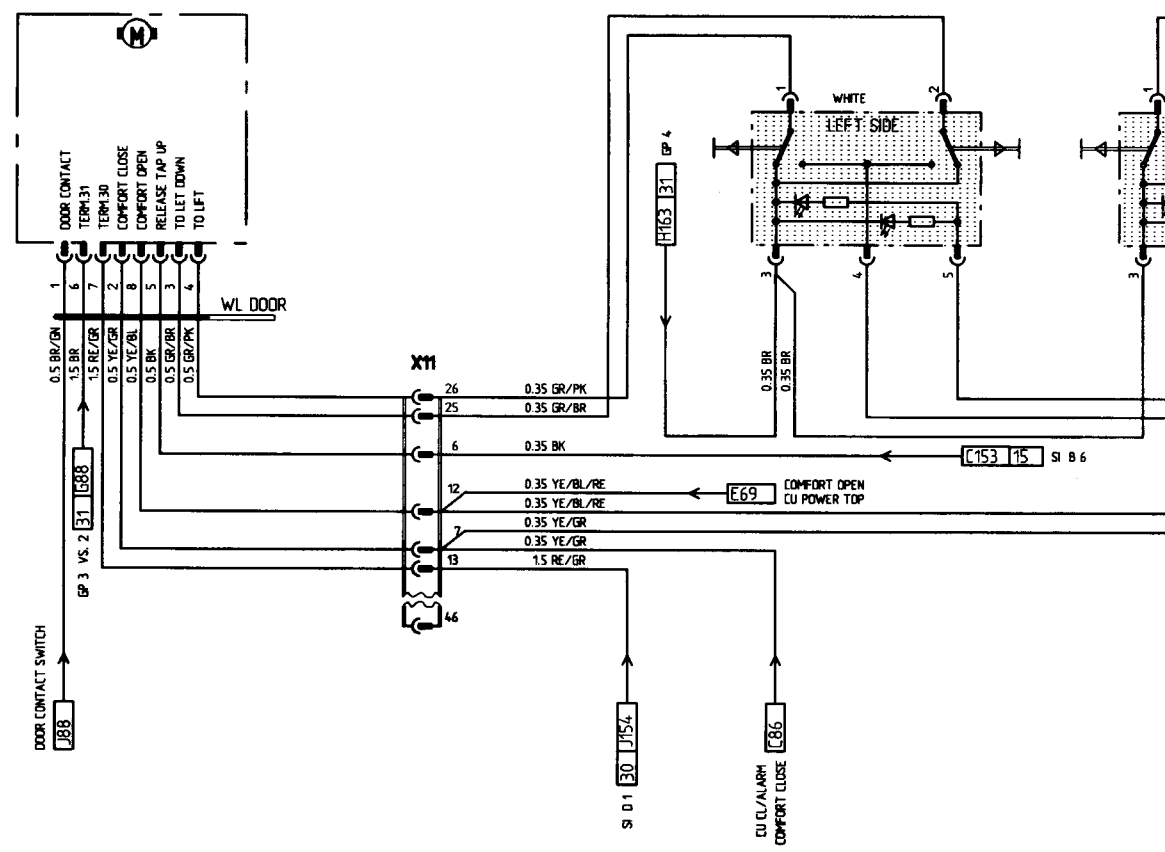
WIPE- AND WASH CLEANERS, TWO-TONE HORNS, POWER WINDOW



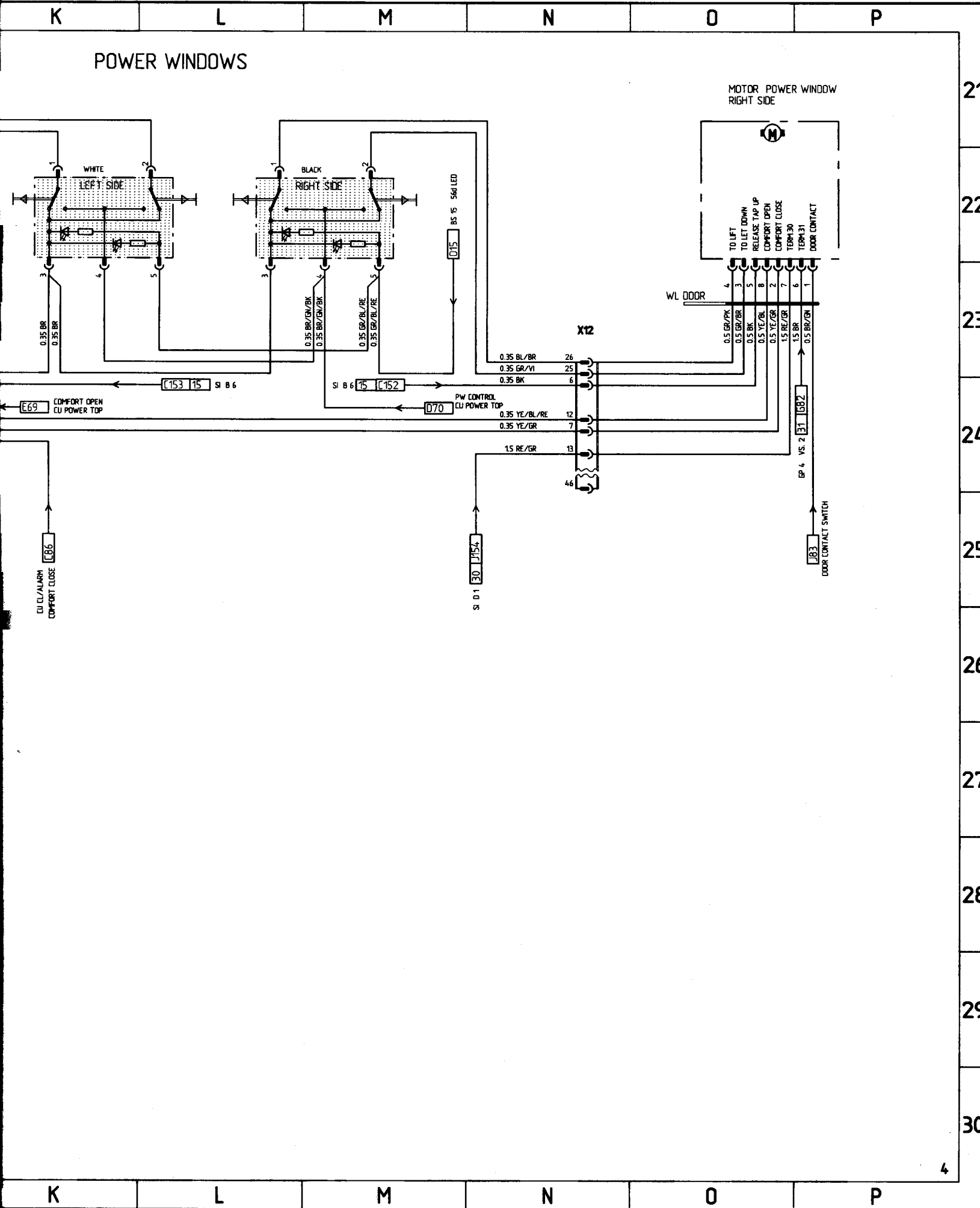
E HORNS

POWER WINDOWS

MOTOR POWER WINDOW
LEFT SIDE



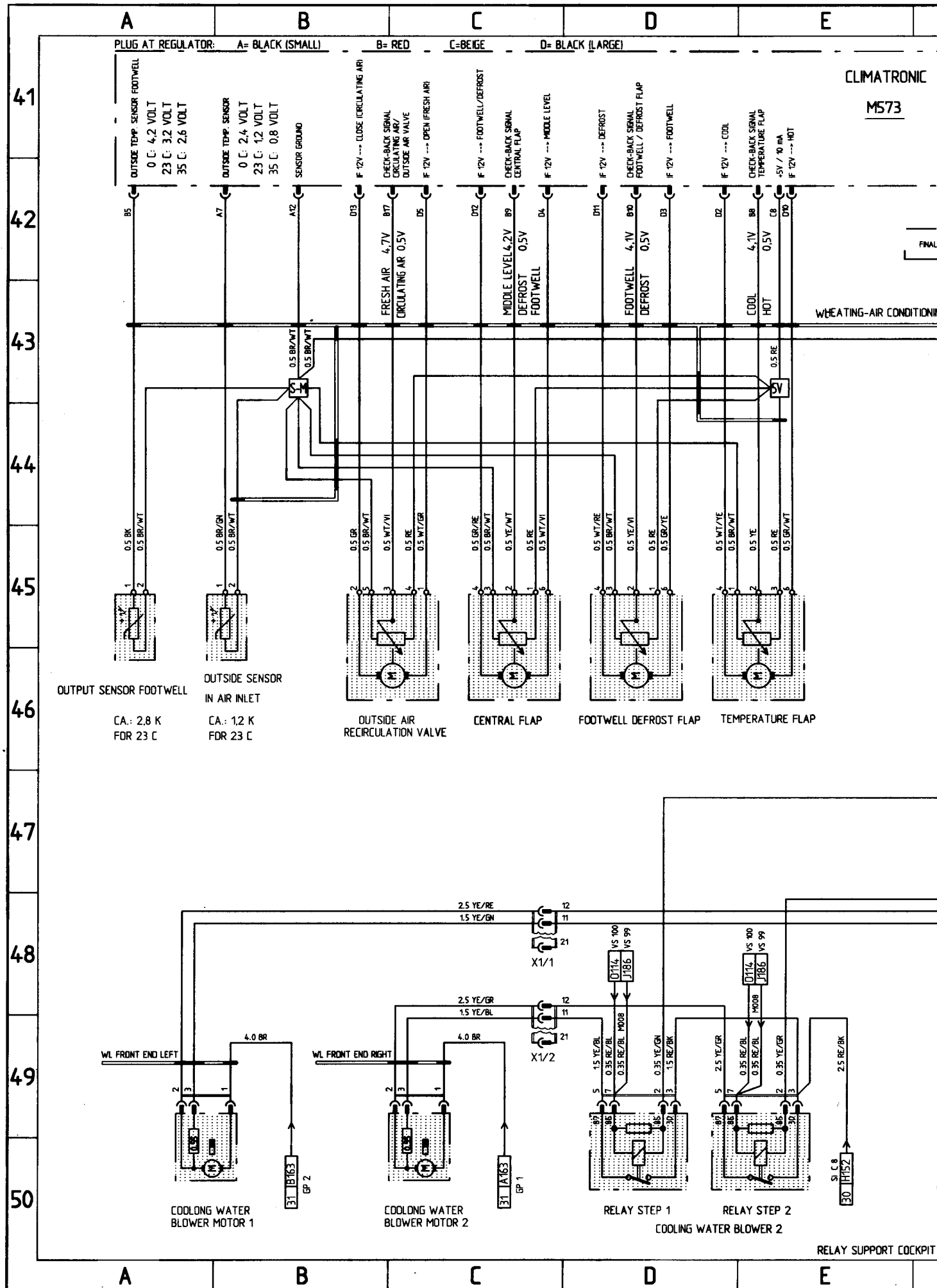
ADLIGHT CLEANERS
PIT



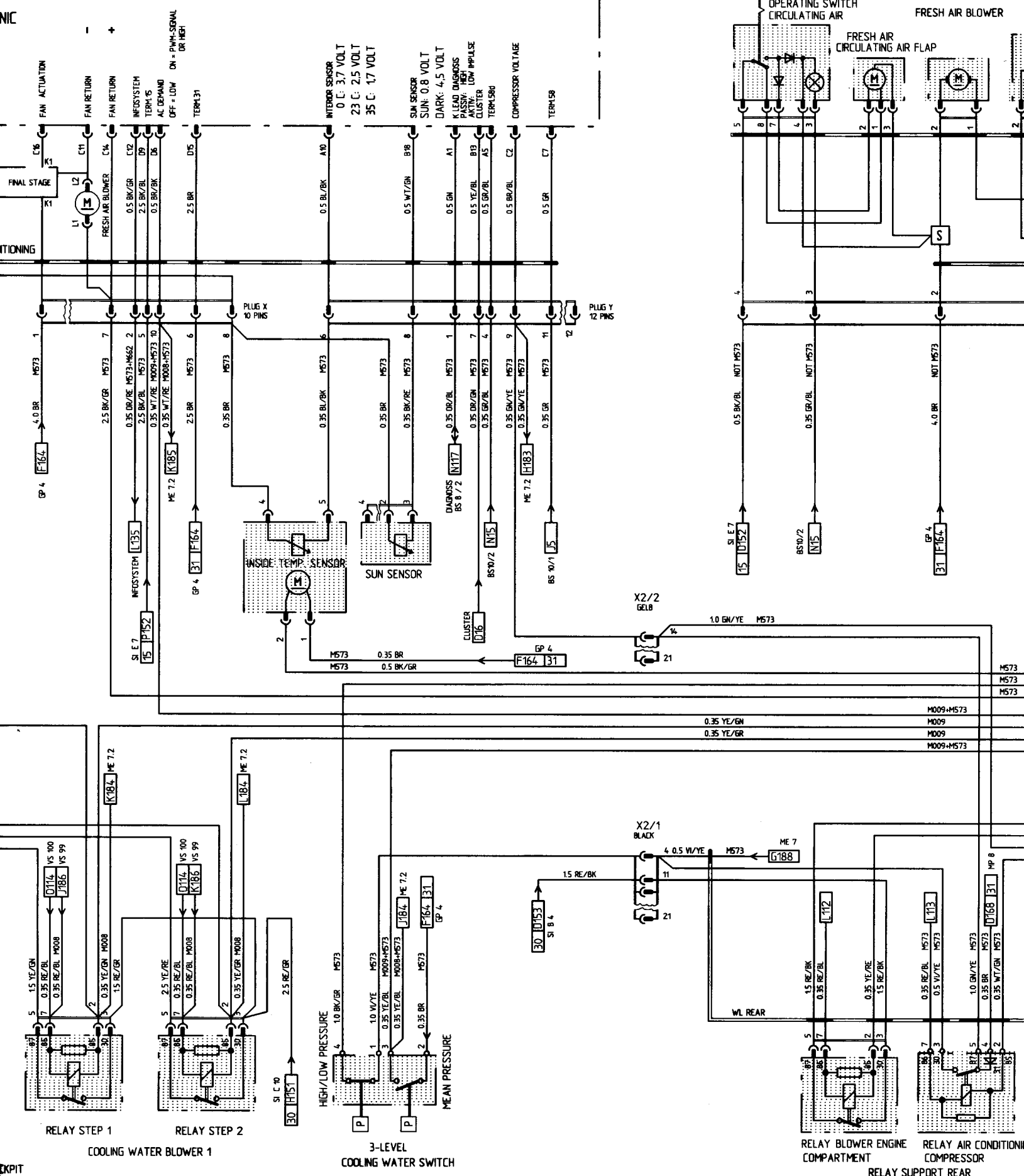
BK = BLACK VI = VIOLET WT = WHITE

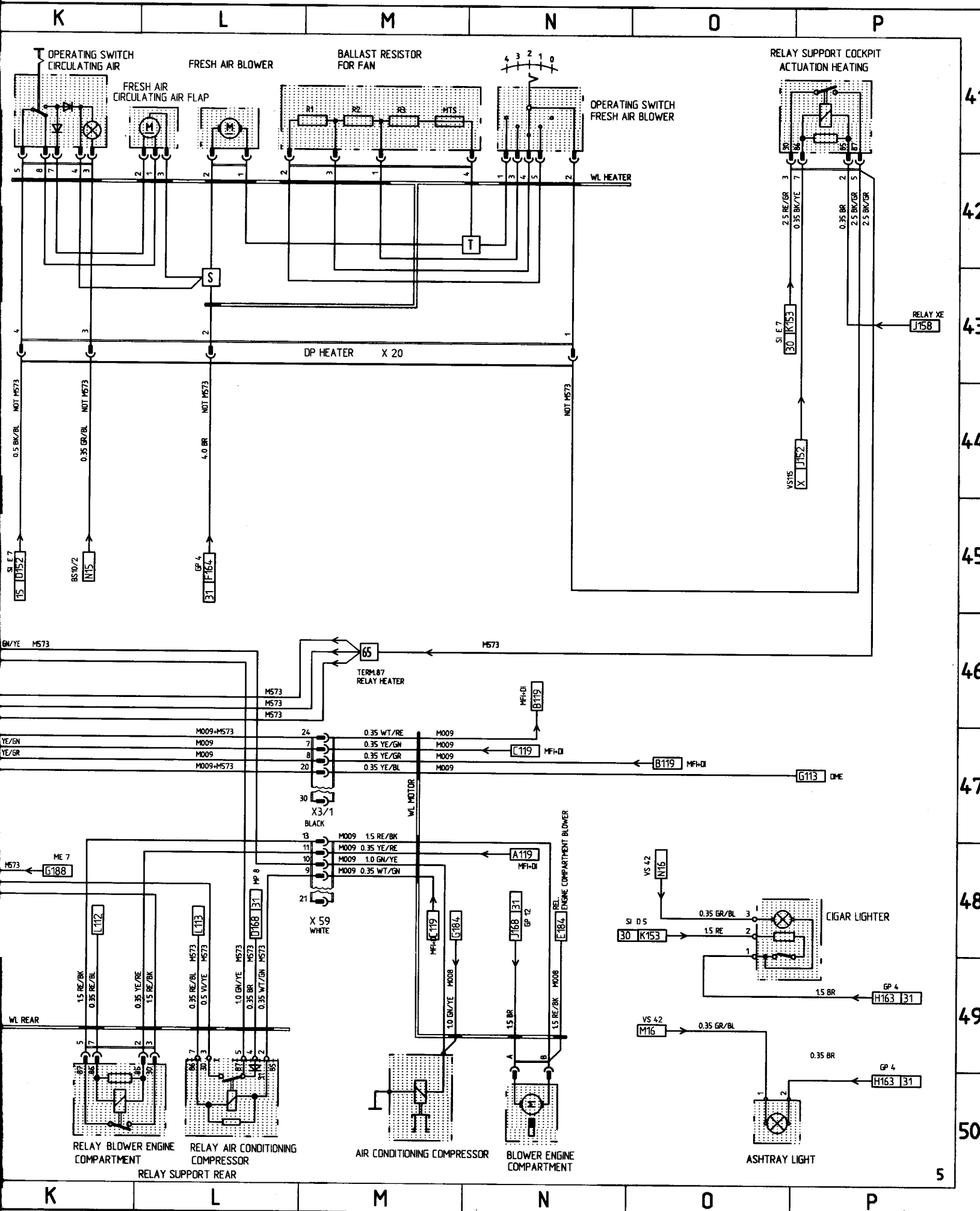
Boxster MODEL 98 SHEET 5

ENGINE COOLING, HEATING, AIR CONDITIONING SYSTEM



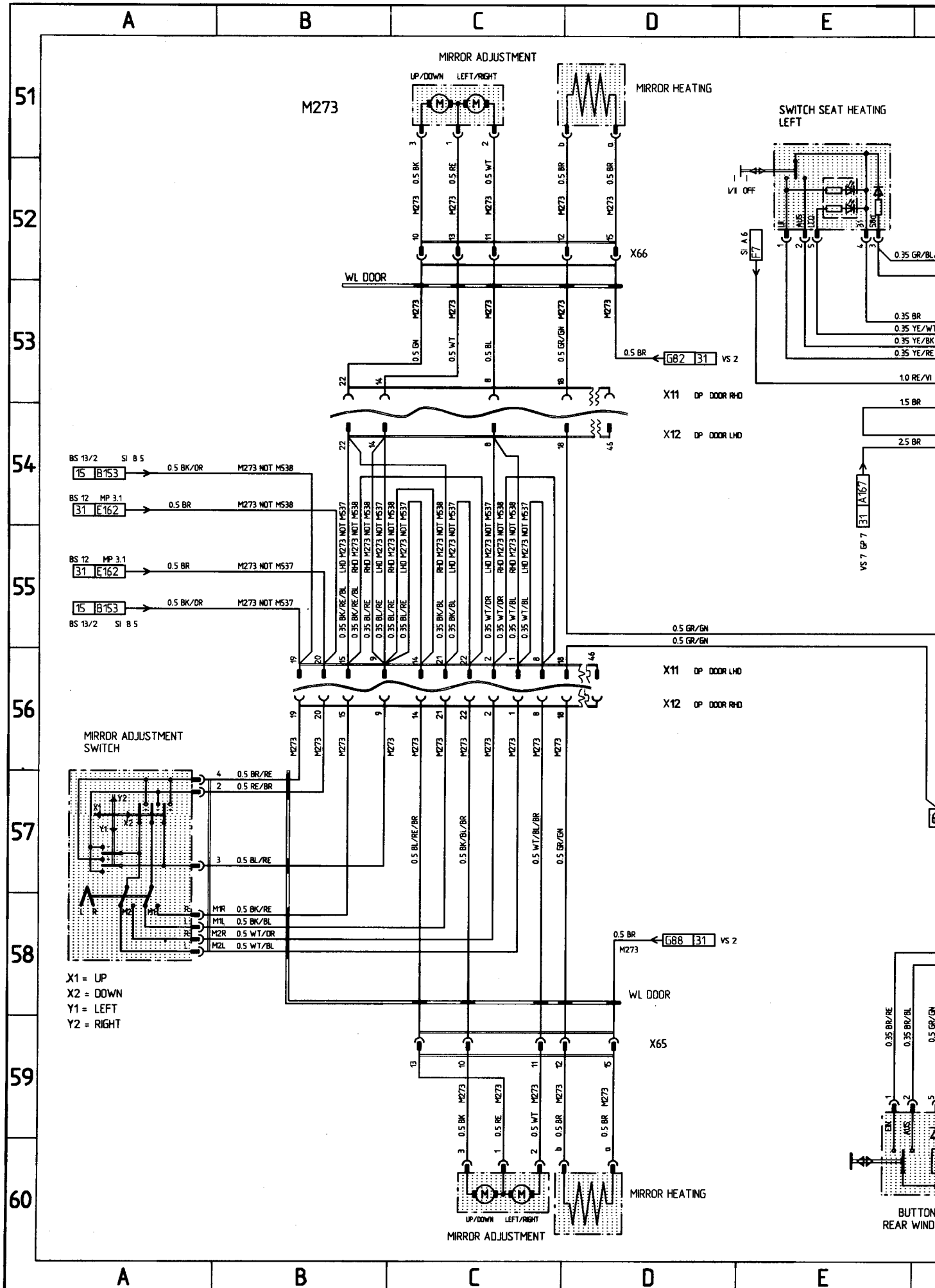
VOLTAGE AND RESISTANCE VALUES ARE GUIDE VALUES



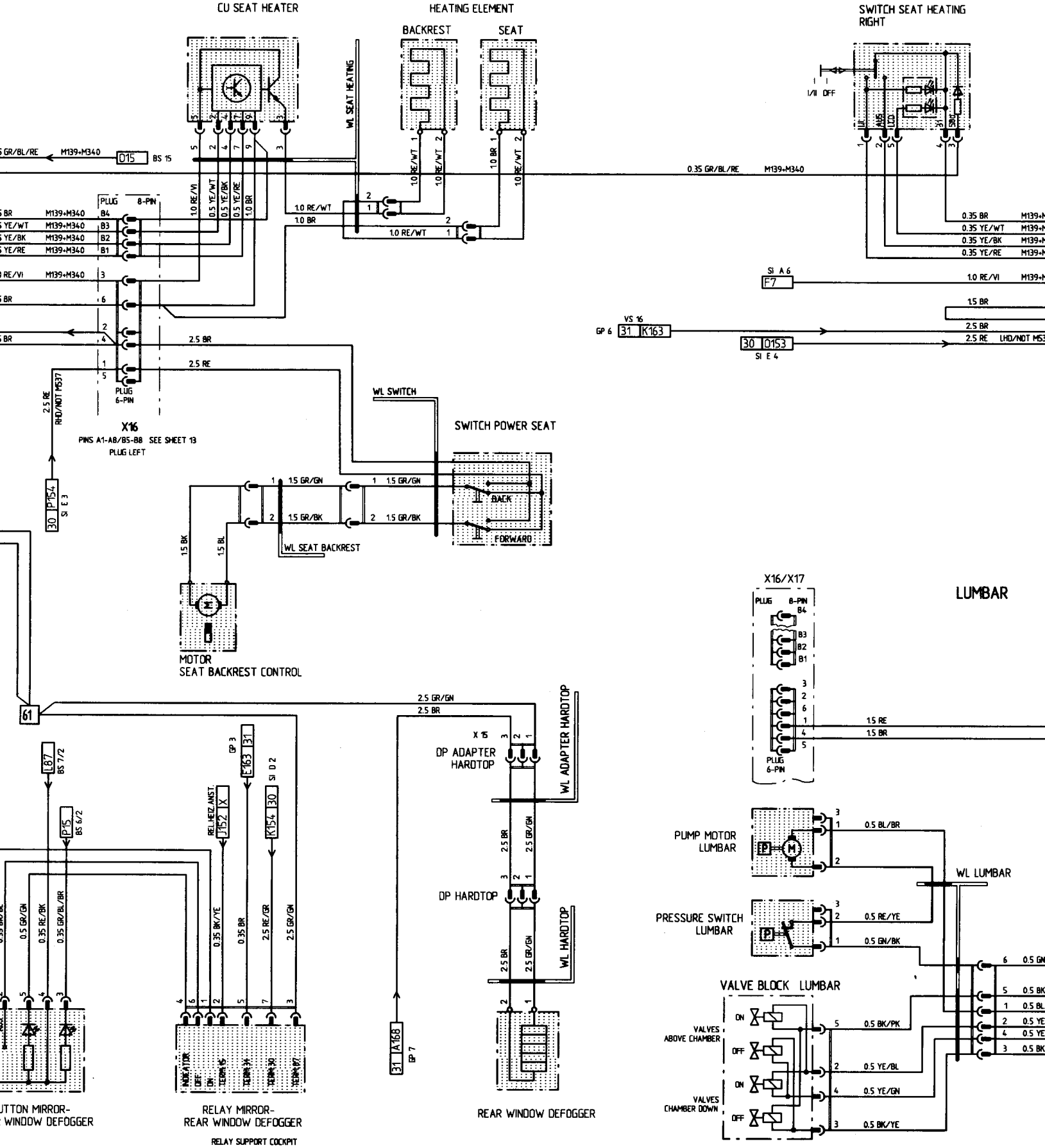


Boxster MODEL 98 SHEET 6

MIRROR ADJUSTMENT SEAT HEATING , REAR WINDOW DEFOGGER



ADJUSTABLE SEAT HEATING LEFT
M139+M340



K

L

M

N

O

P

SEAT HEATING ADJUSTABLE RIGHT M139+M340

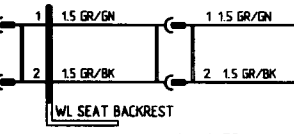
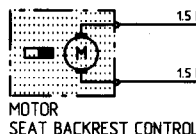
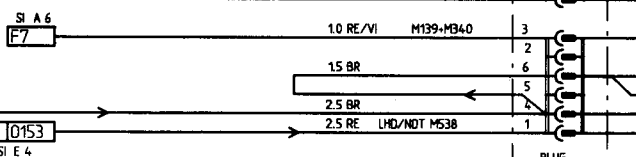
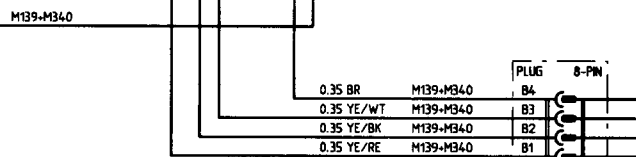
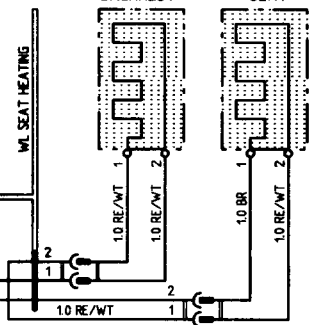
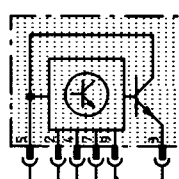
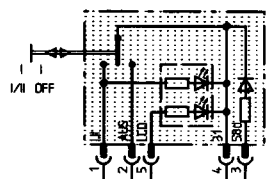
SWITCH SEAT HEATING RIGHT

CU SEAT HEATER

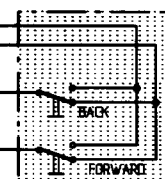
HEATING ELEMENT

BACKREST

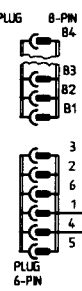
SEAT



SWITCH POWER SEAT

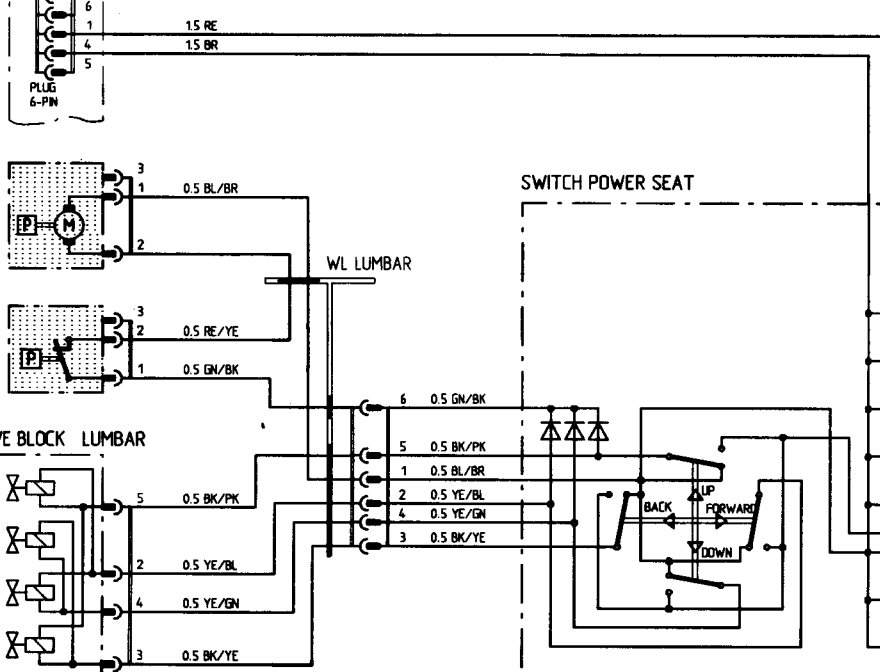


X16/X17



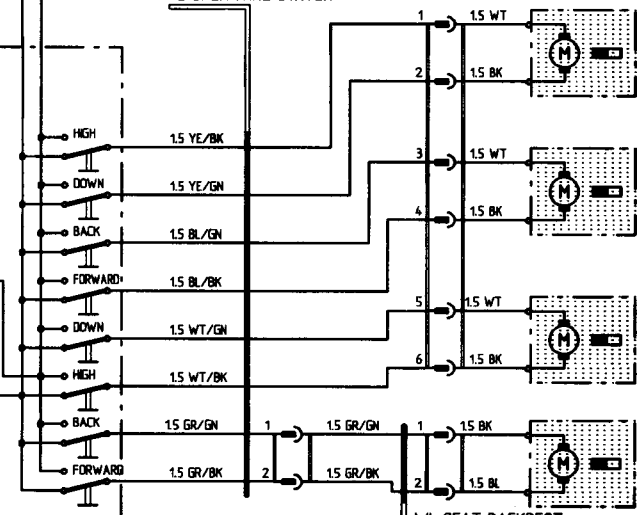
LUMBAR LEFT AND RIGHT
M513 M586

COMFORT SEAT LEFT AND RIGHT
M437 M438



SWITCH POWER SEAT

WL OPERATING SWITCH



K

L

M

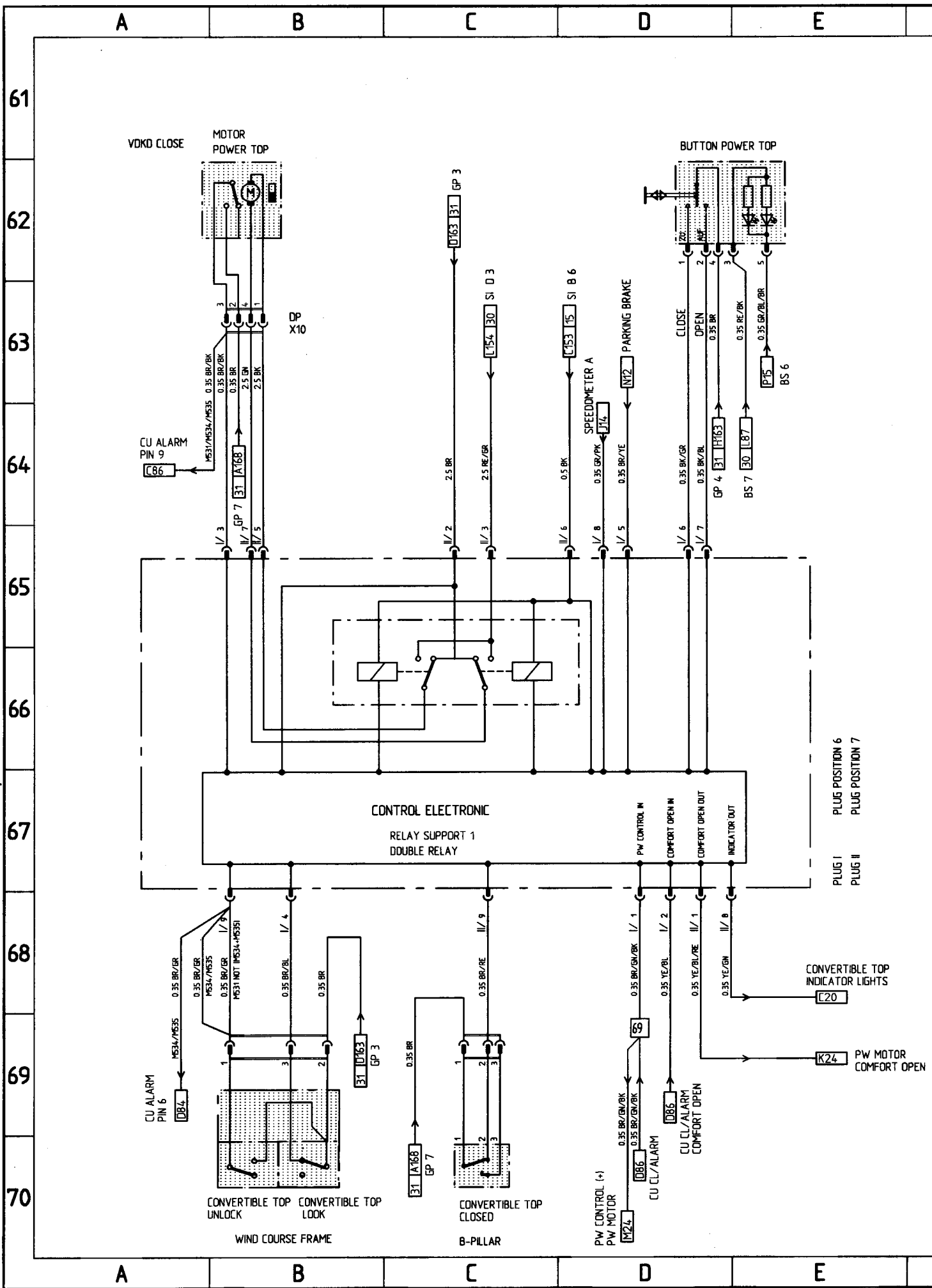
N

O

P

Boxster MODEL 98 SHEET 7

CONVERTIBLE TOP DRIVE



F	G	H	J	K	L
---	---	---	---	---	---

R
OPEN

F	G	H	J	K	L
---	---	---	---	---	---

BL = BLUE

BR = BROWN

YE = YELLOW

GN = GREEN

GR = GREY

PK = PINK

RE = RED

BK = BLACK

VI = VIOLET

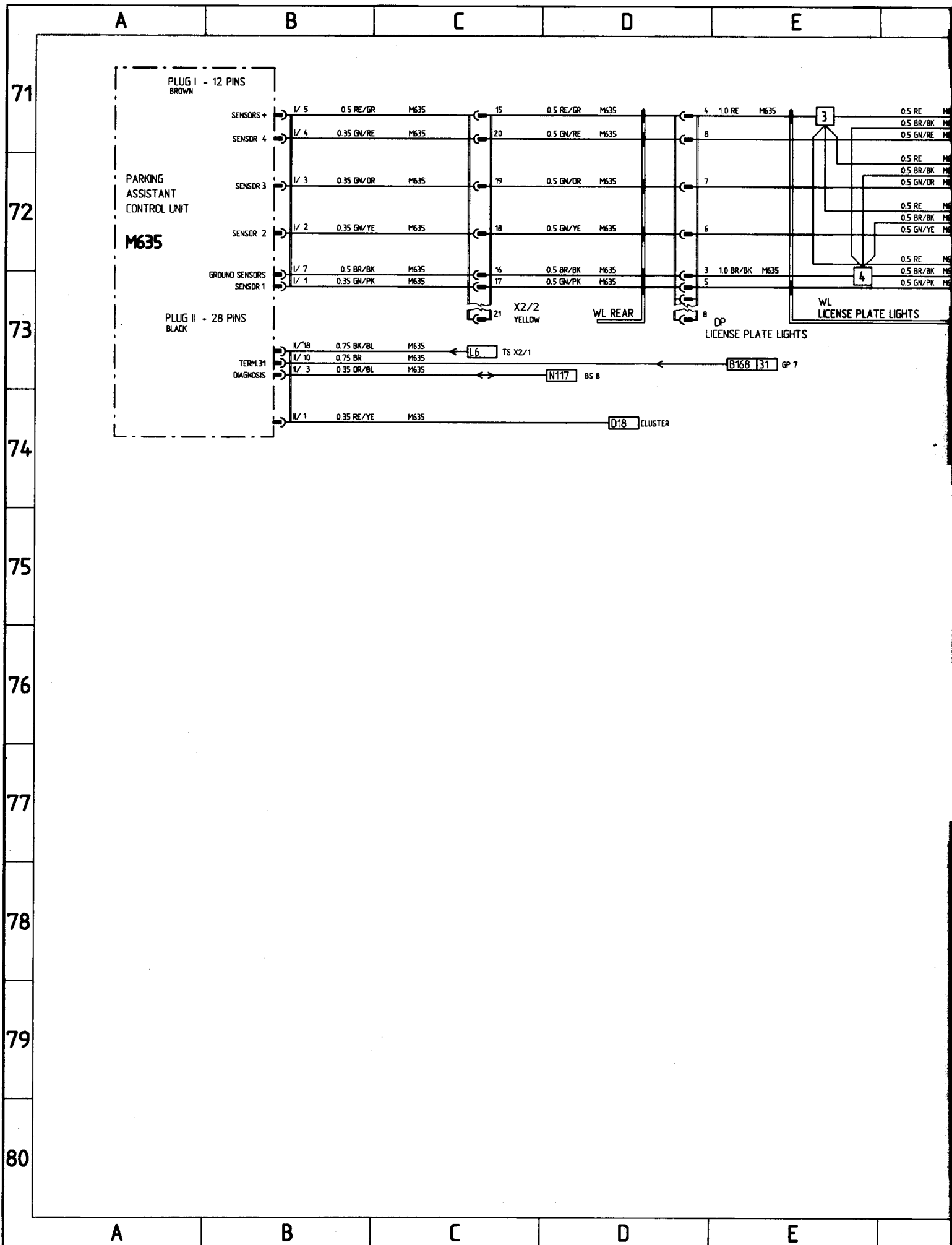
WT

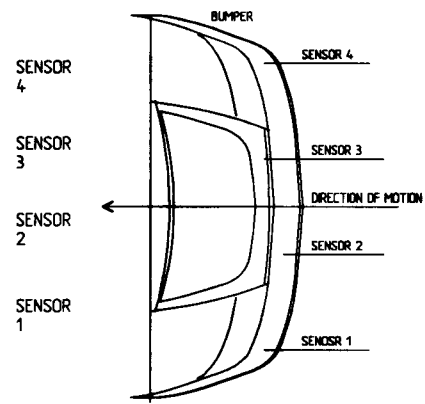
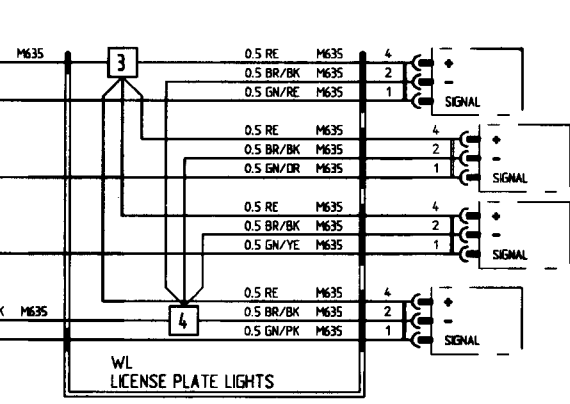
K	L	M	N	O	P	
						61
						62
						63
						64
						65
						66
						67
						68
						69
						70

K	L	M	N	O	P
---	---	---	---	---	---

Boxster MODEL 98 SHEET 8

SPOILER EXTEND, PARKING ASSISTANT



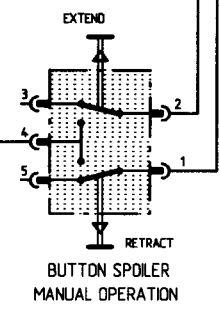


LATE LIGHTS

31 GP 7

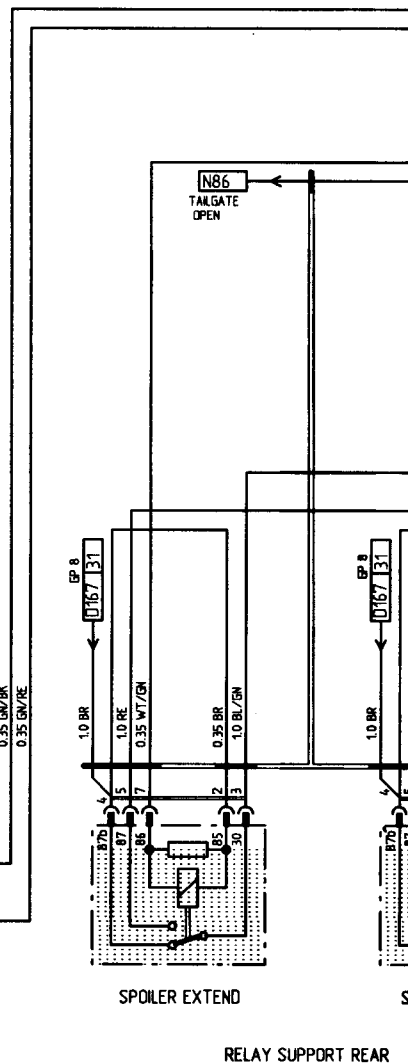
GP 3 E763 131

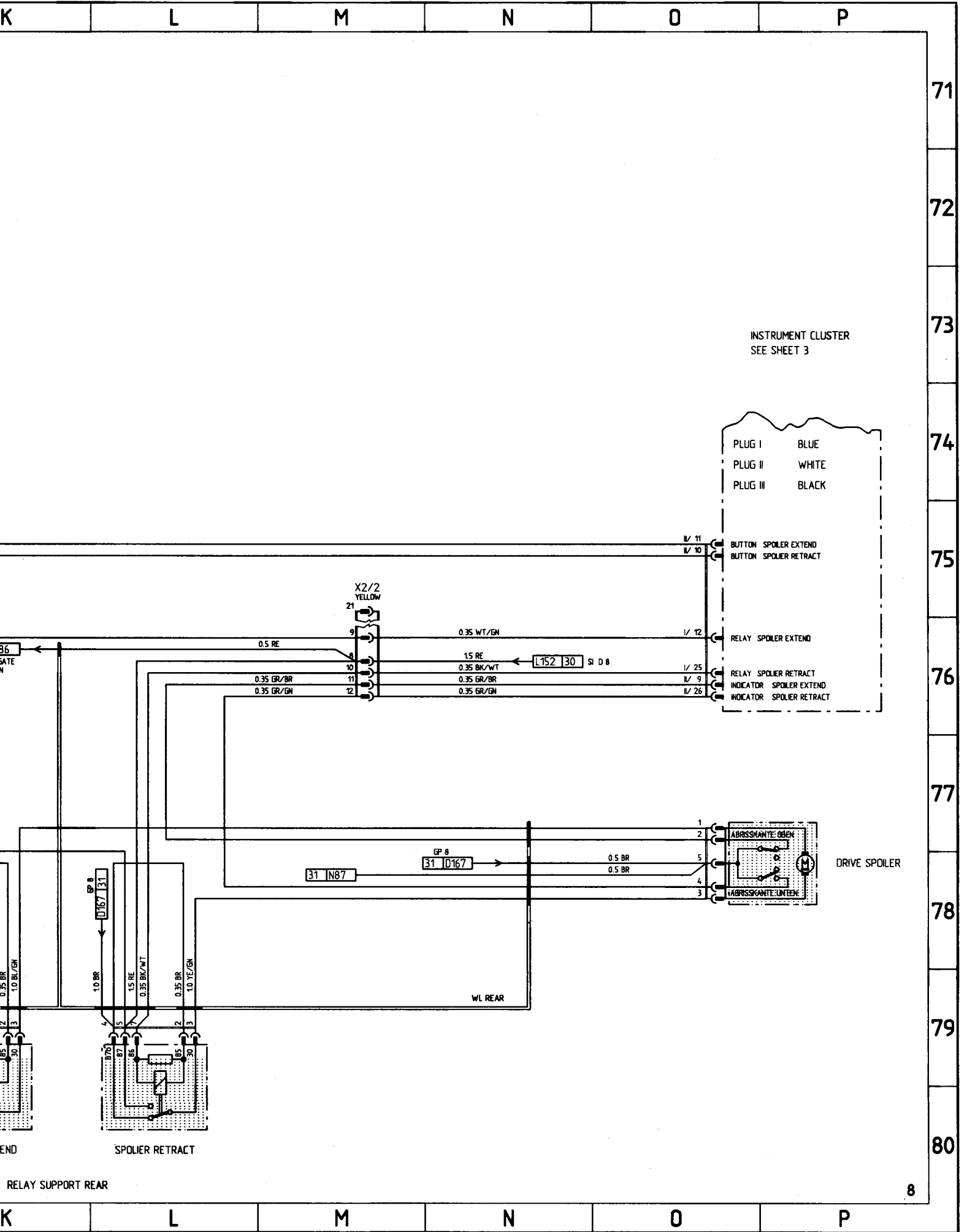
0.35 BR



0.35 GN/BK

0.35 GN/RE



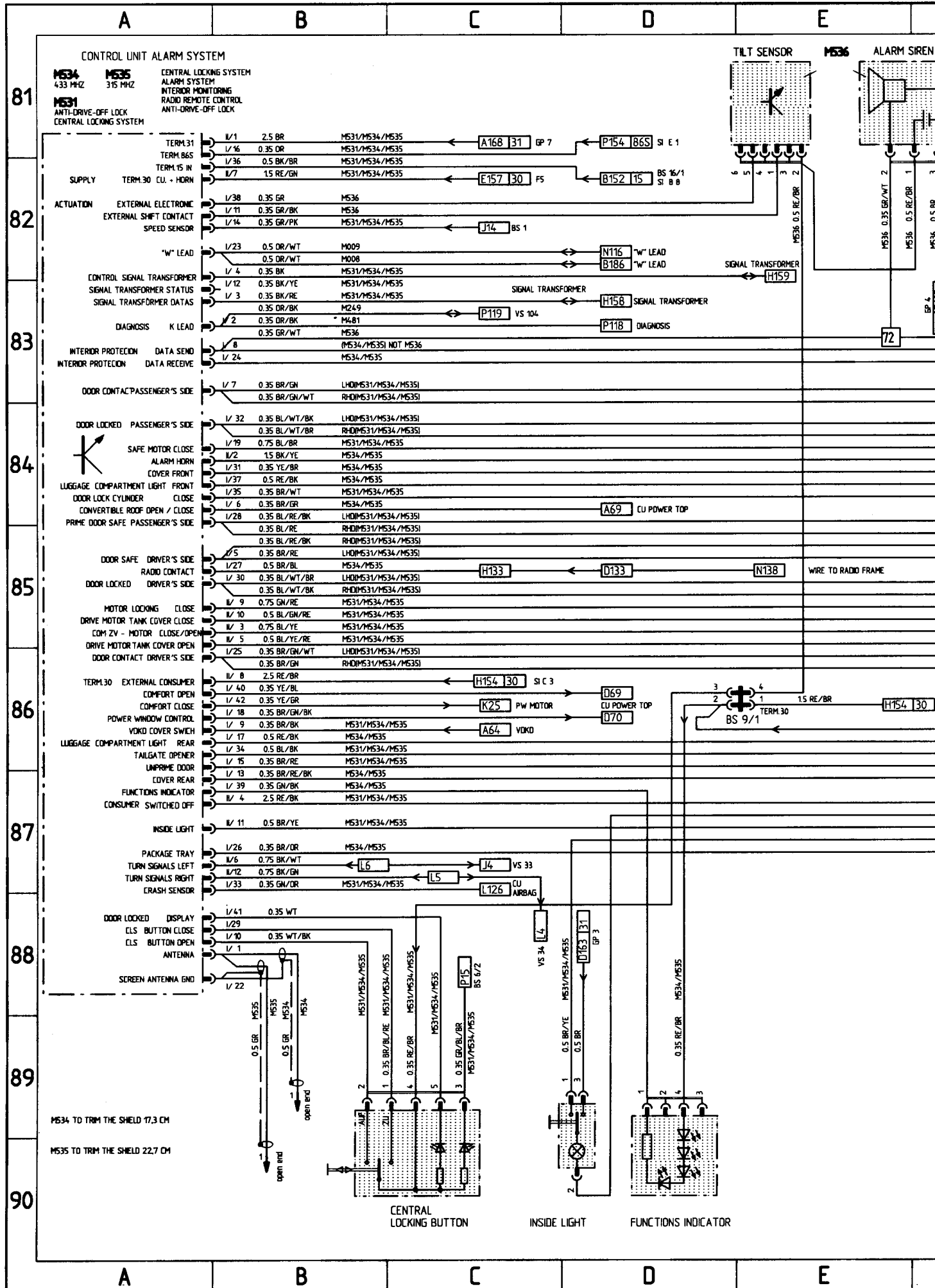


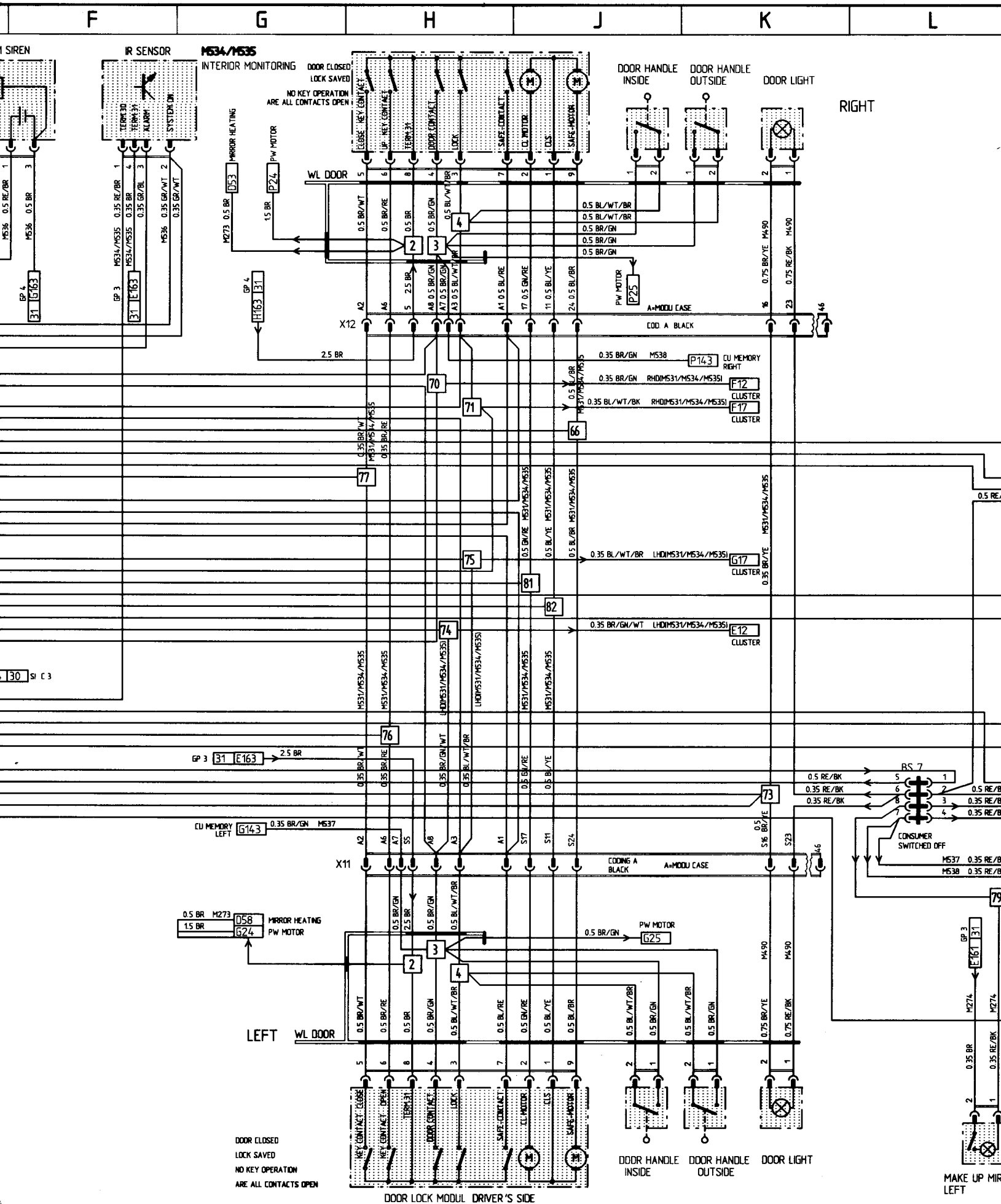
RELAY SUPPORT REAR

8

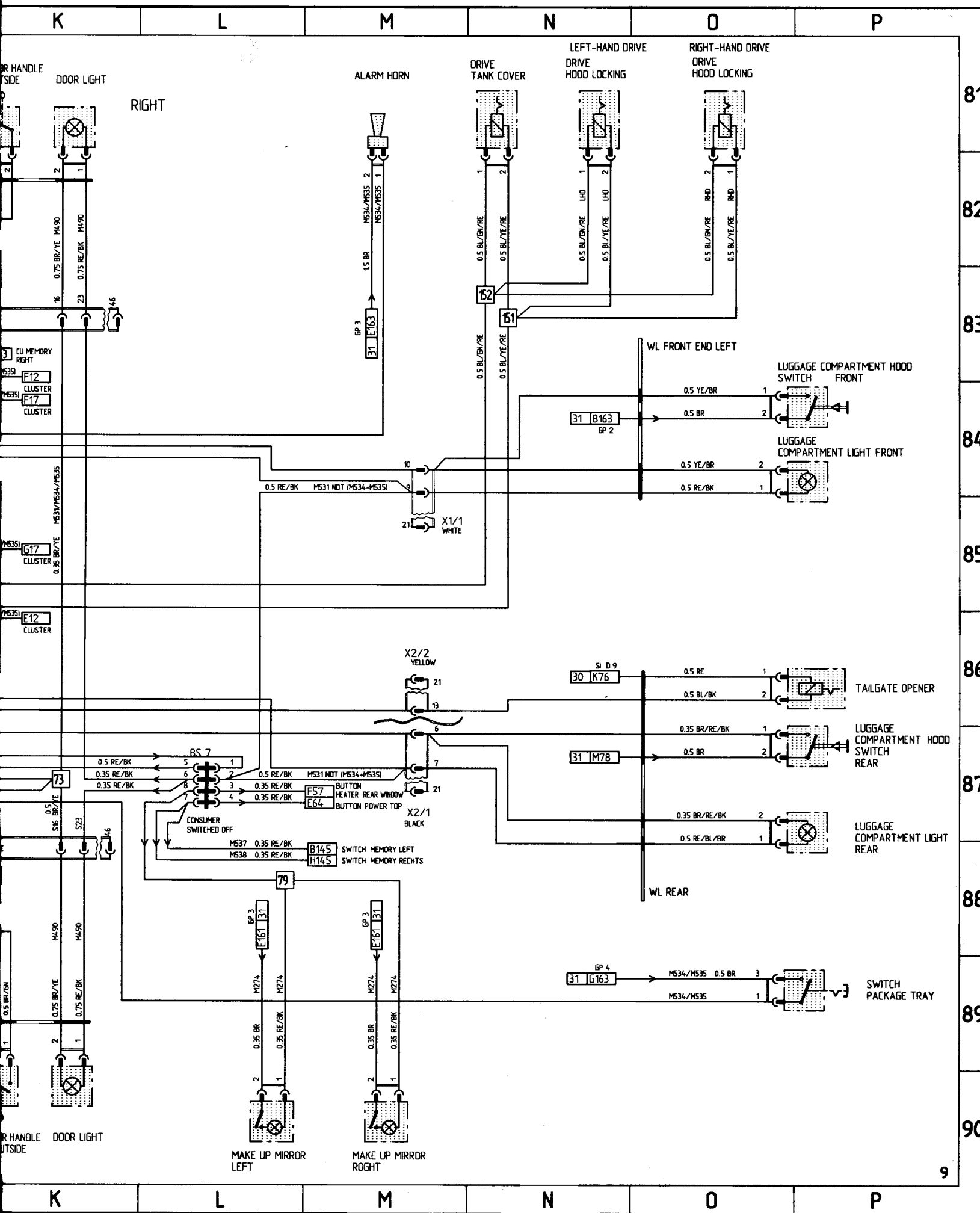
Boxster MODEL 98 SHEET 9

CENTRAL LOCKS, ALARM SYSTEM, INTERIOR MONITORING





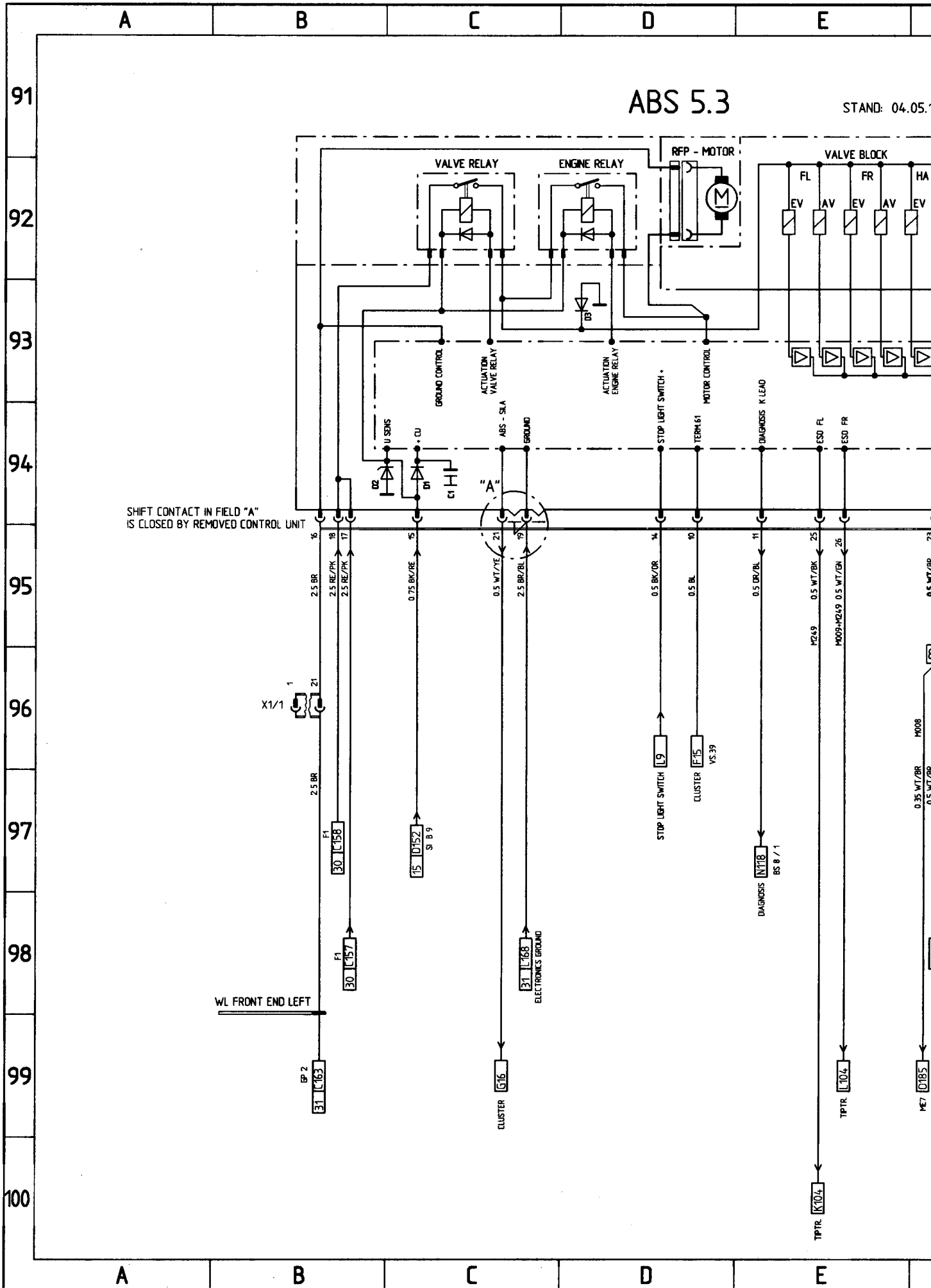
BL = BLUE BR = BROWN YE = YELLOW GN = GREEN GR = GREY PK = PINK RE = RED BK = BLACK VI = VIOLET WT = WHITE



BK = BLACK VI = VIOLET WT = WHITE

Boxster MODEL 98 SHEET 10

ABS



F

G

H

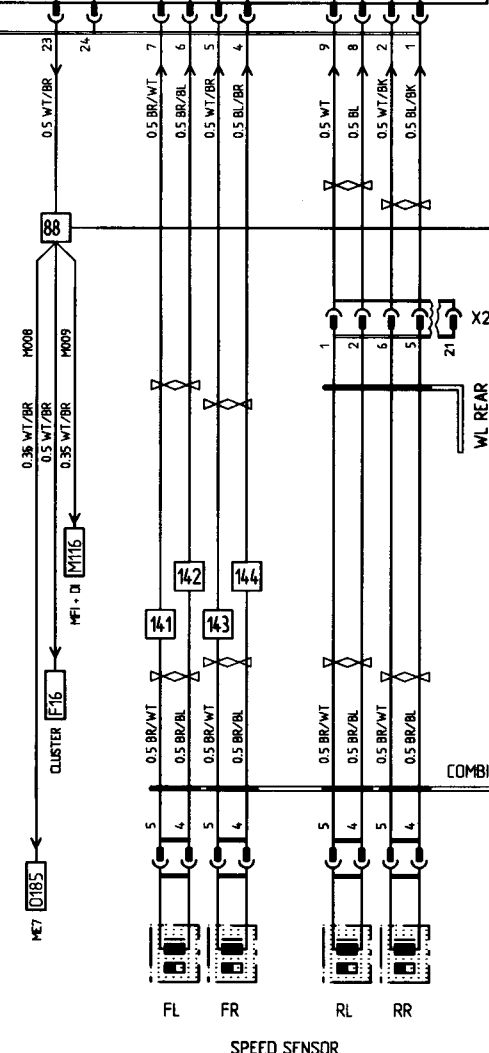
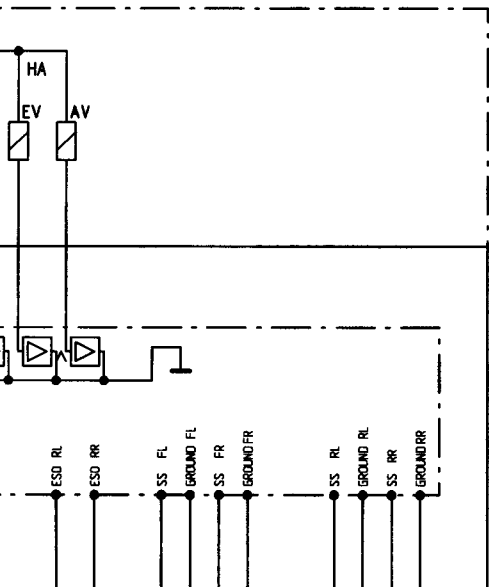
J

K

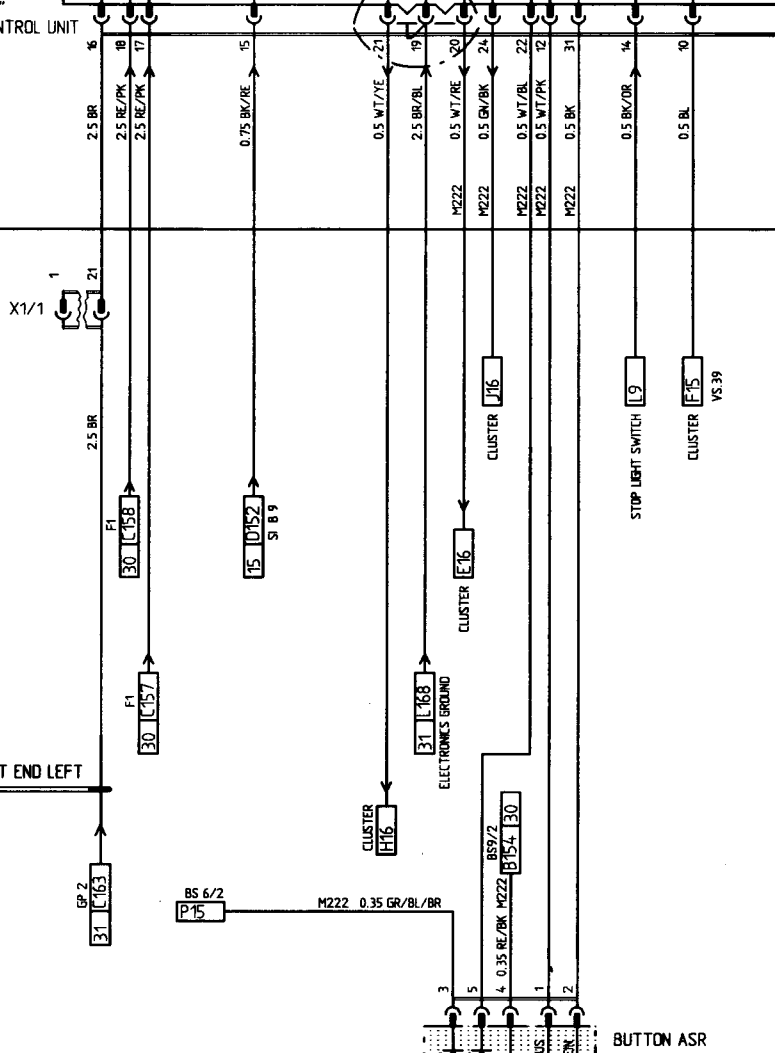
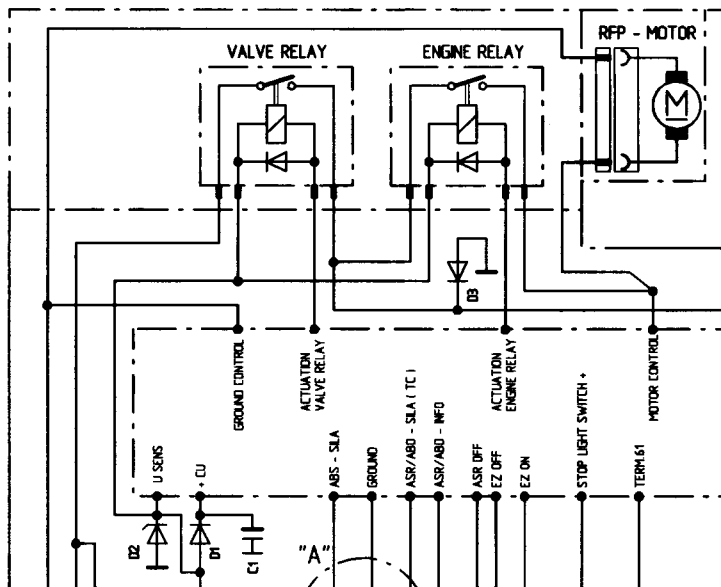
L

4.05.1994

ASR 5.3



SHIFT CONTACT IN FIELD "A" IS CLOSED BY REMOVED CONTROL UNIT



F

G

H

J

K

L

BL = BLUE

BR = BROWN

YE = YELLOW

GN = GREEN

GR = GREY

PK = PINK

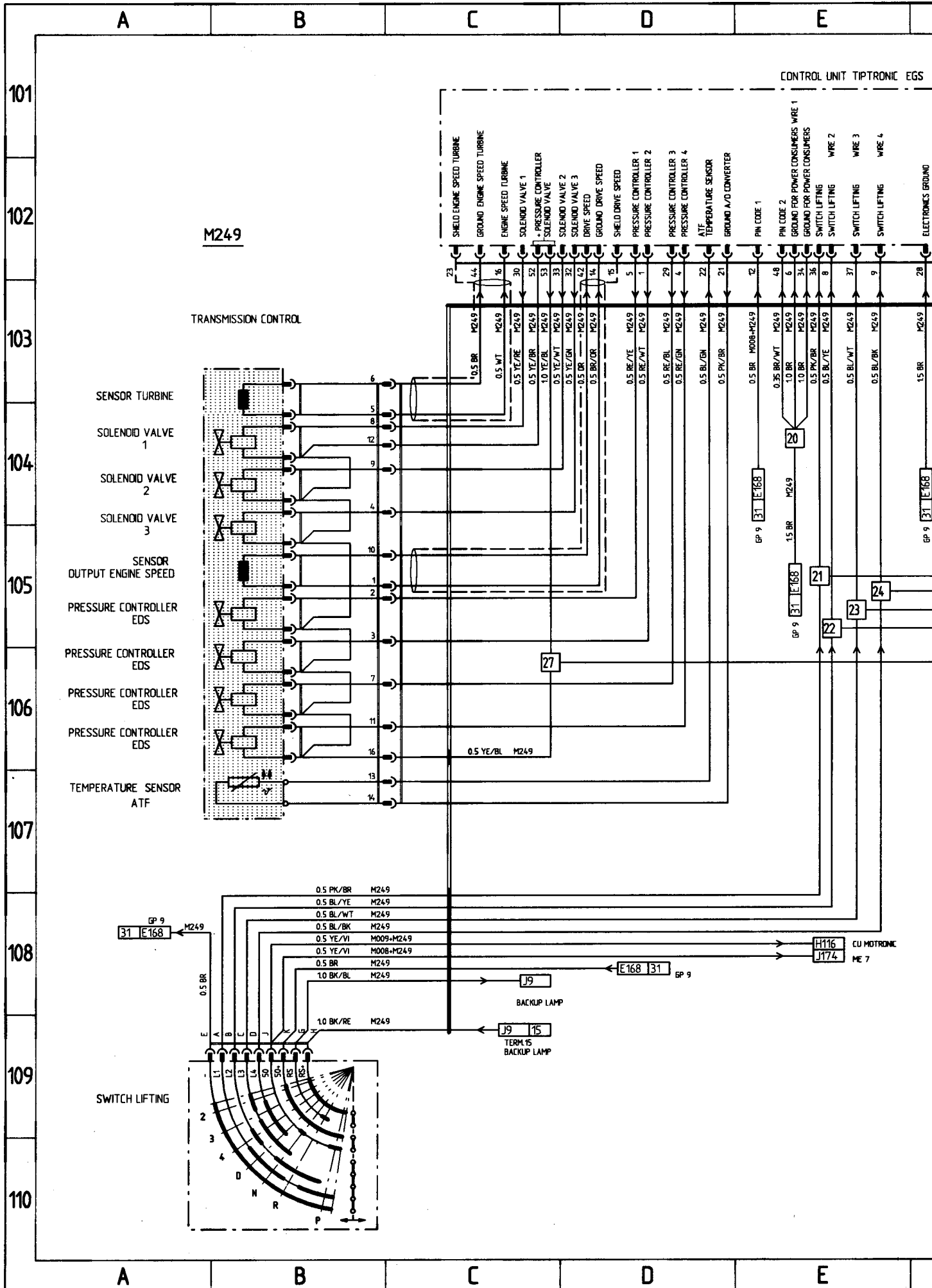
RE = RED

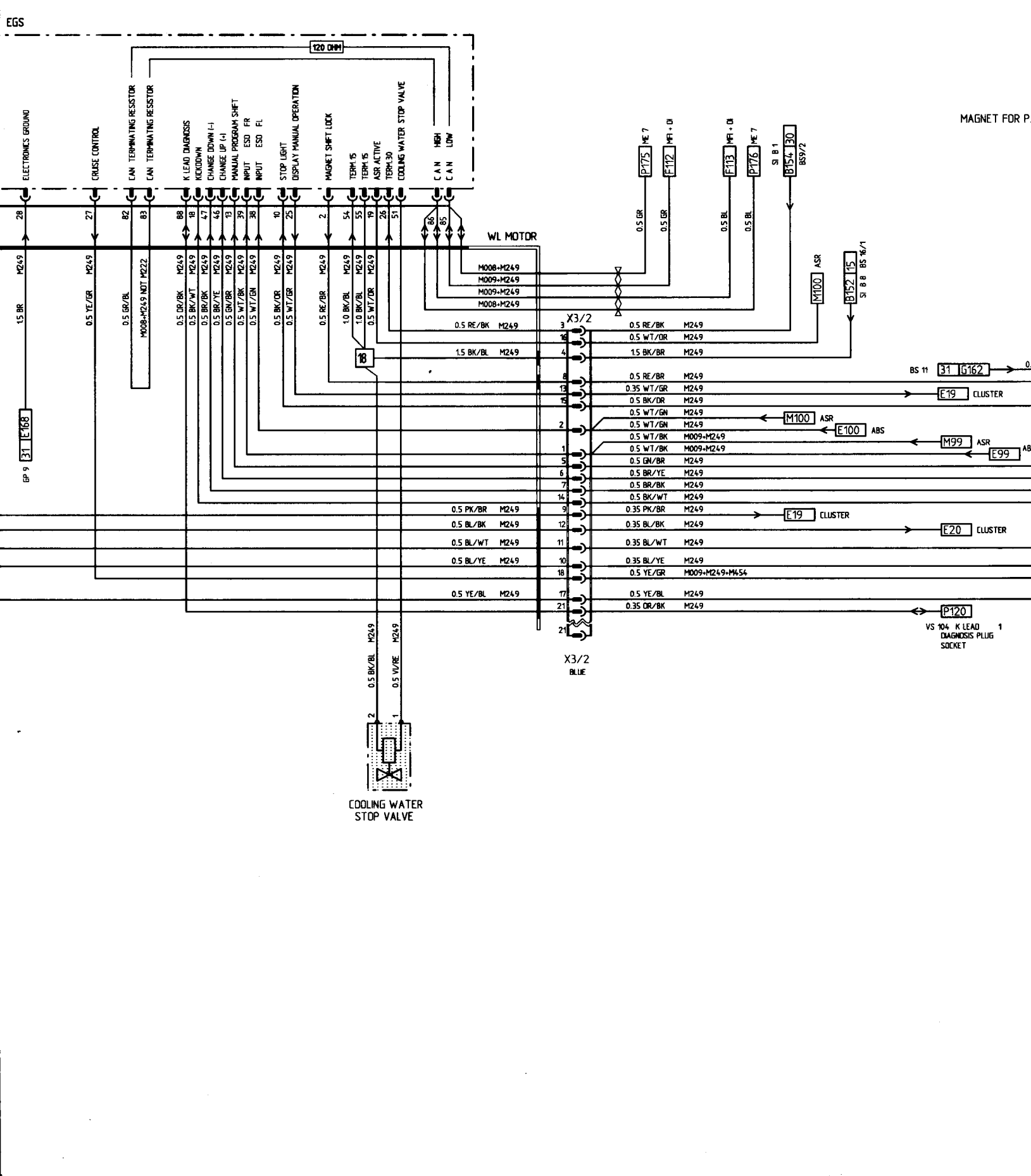
BK = BLACK

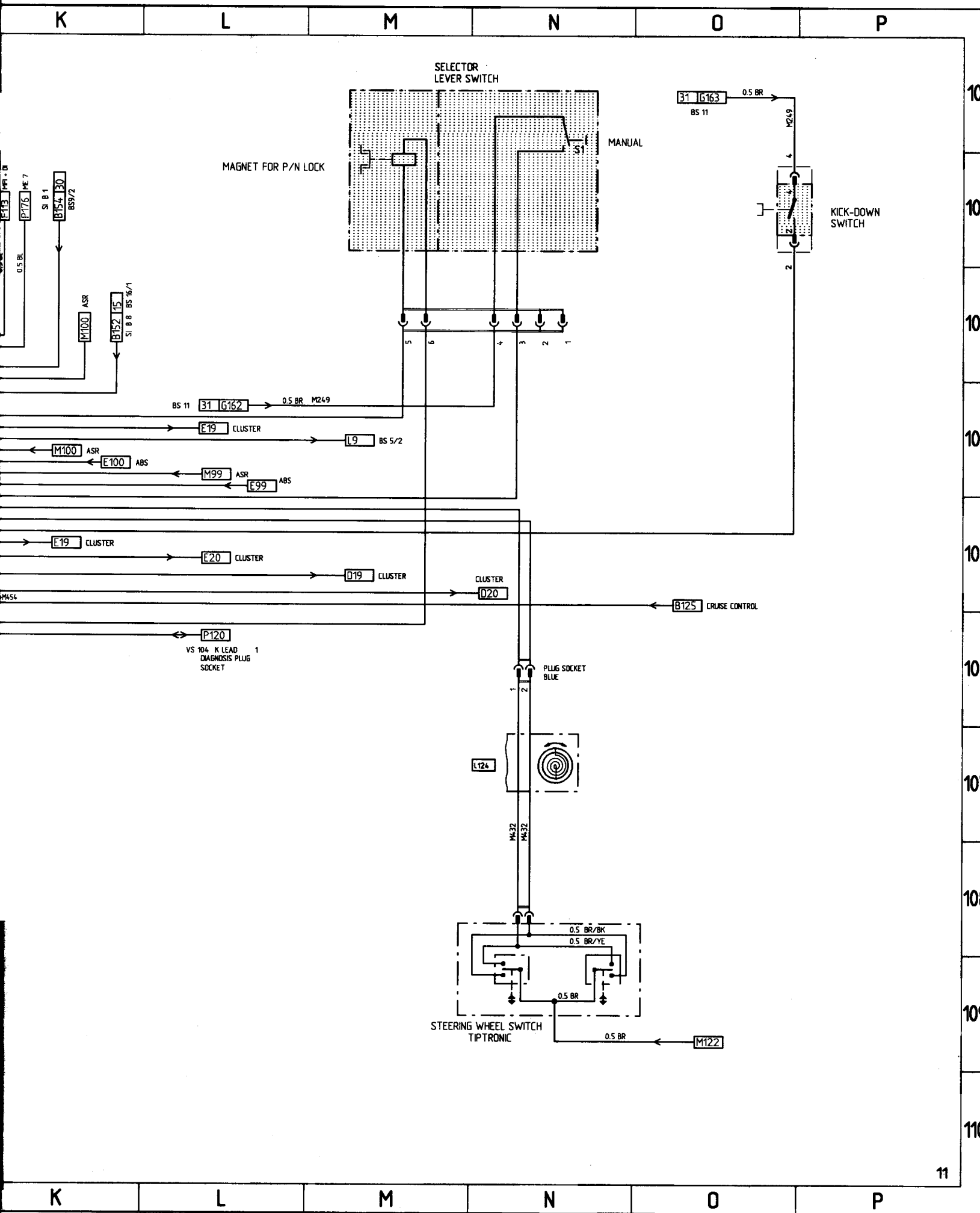
VI = VIOLET

Boxster MODEL 98 SHEET 11

TIPTRONIC

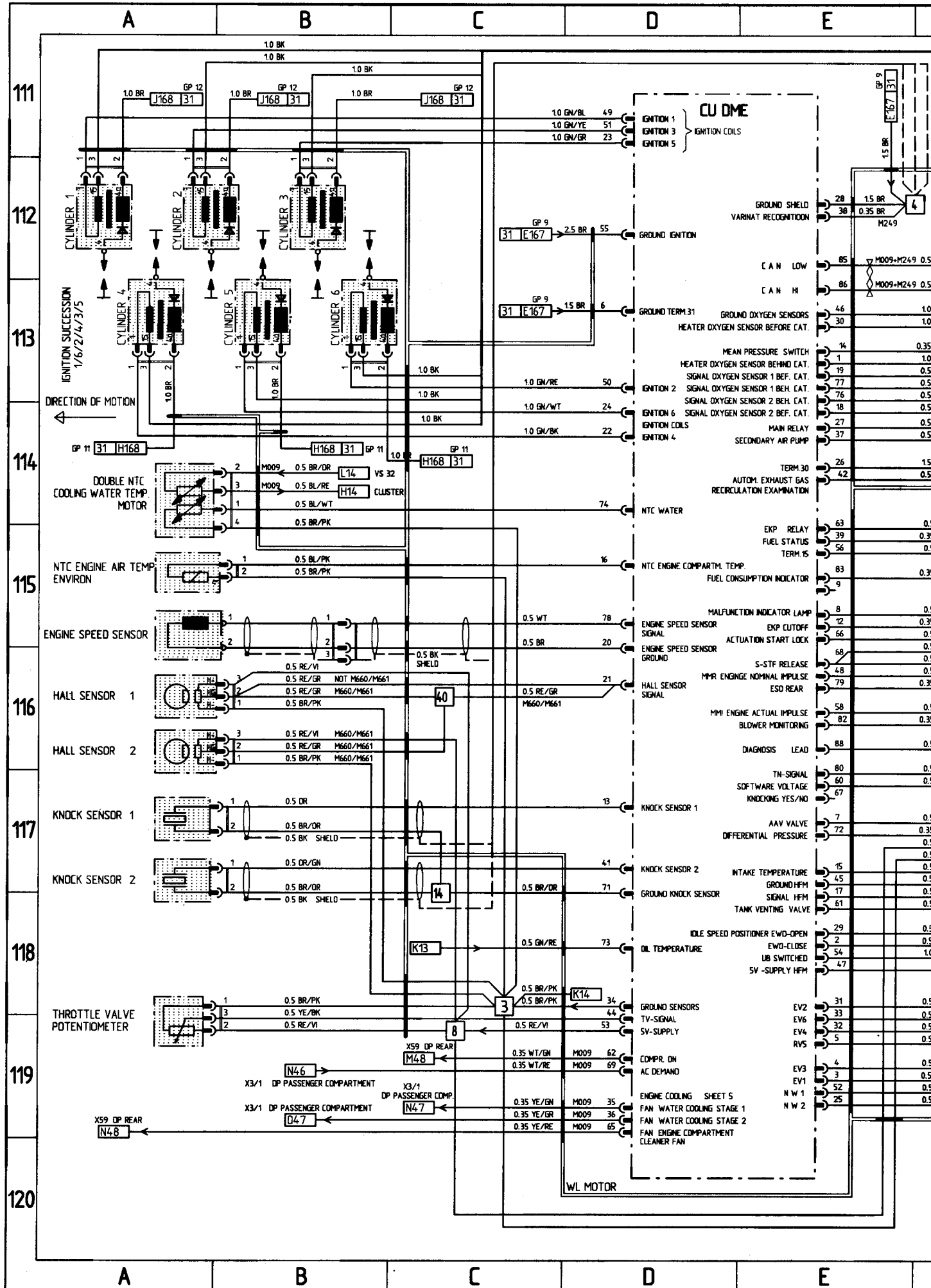


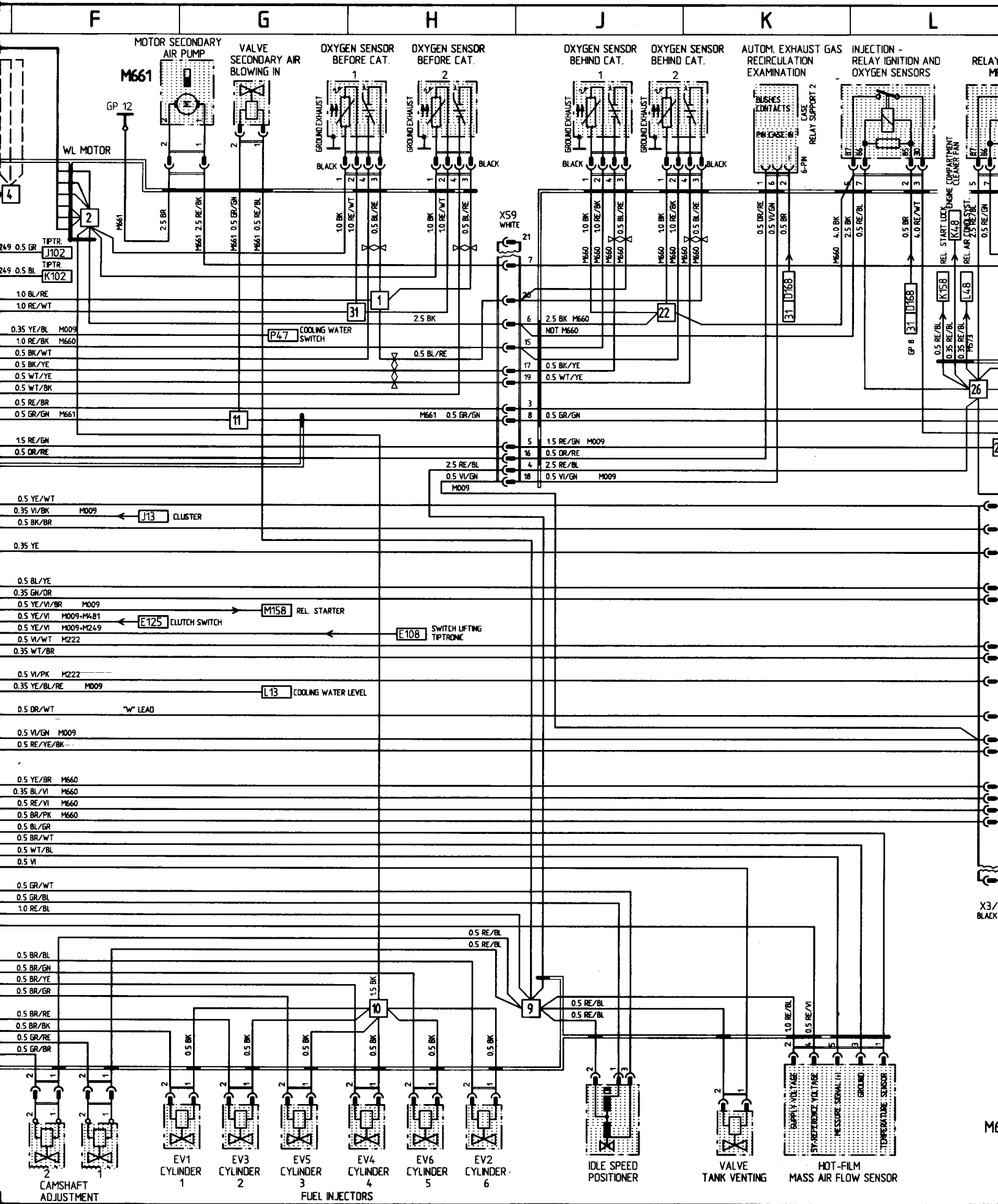




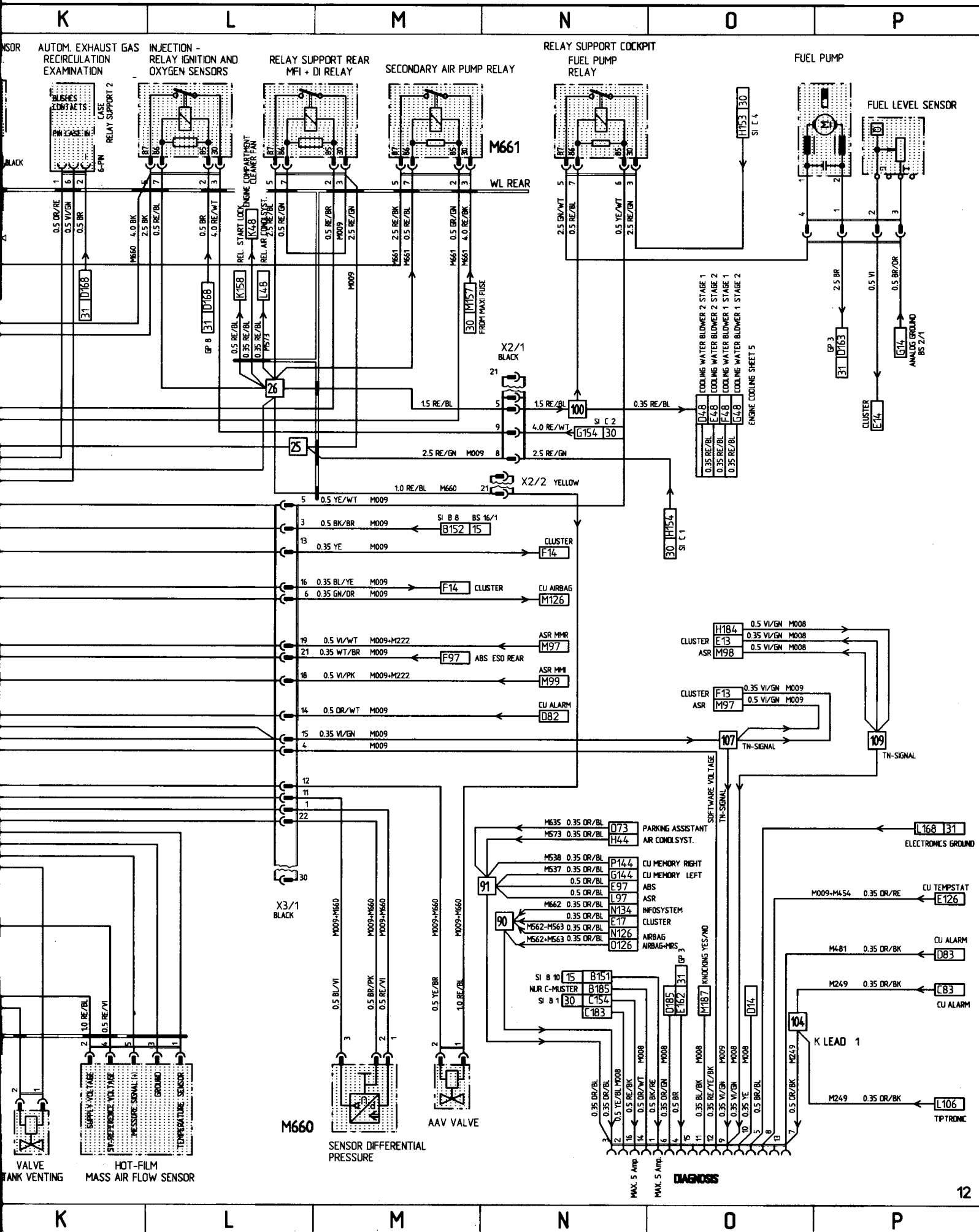
Boxster MODEL 98 SHEET 12

MFI+DI MOTORELEKTRONIK



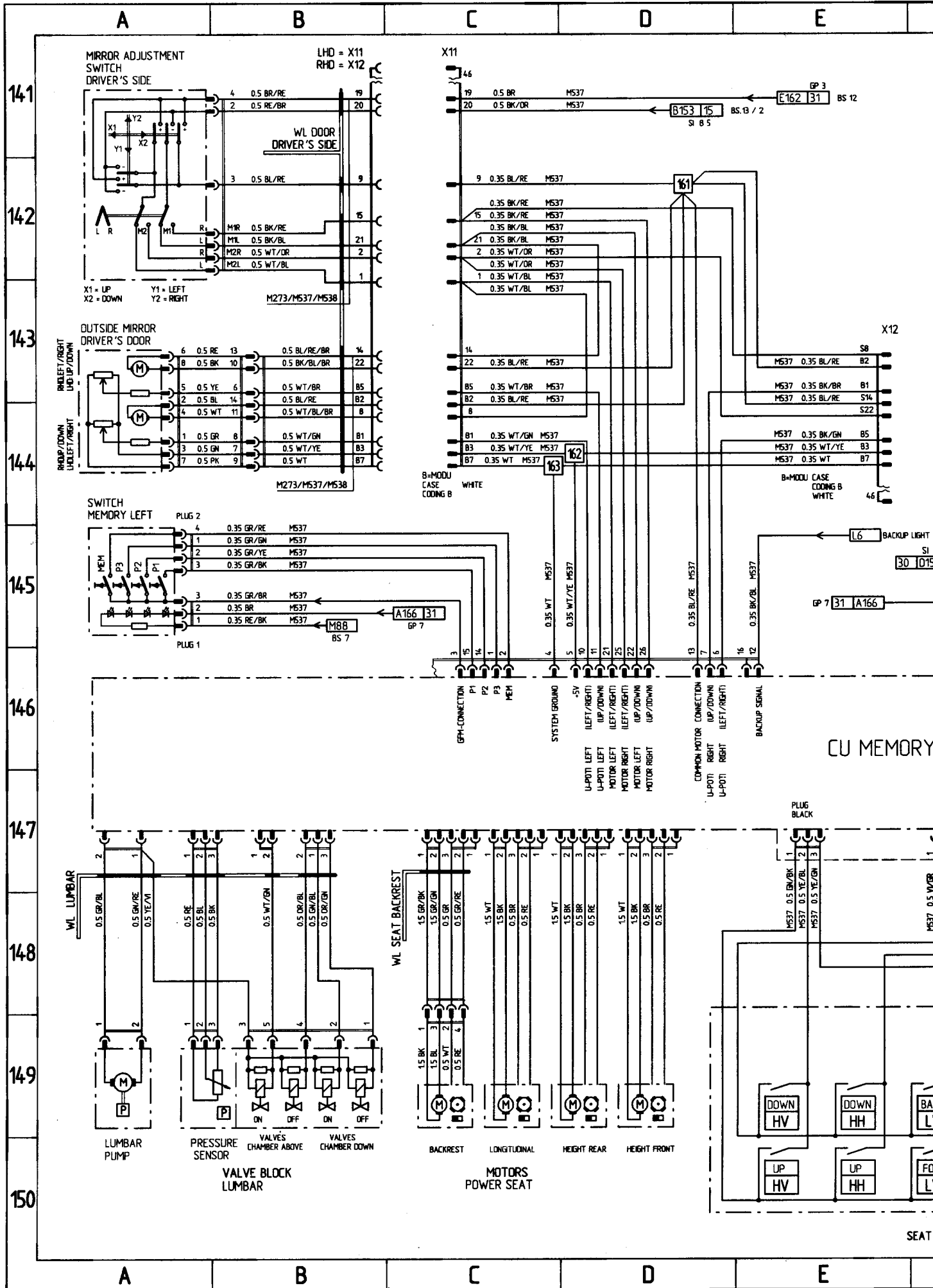


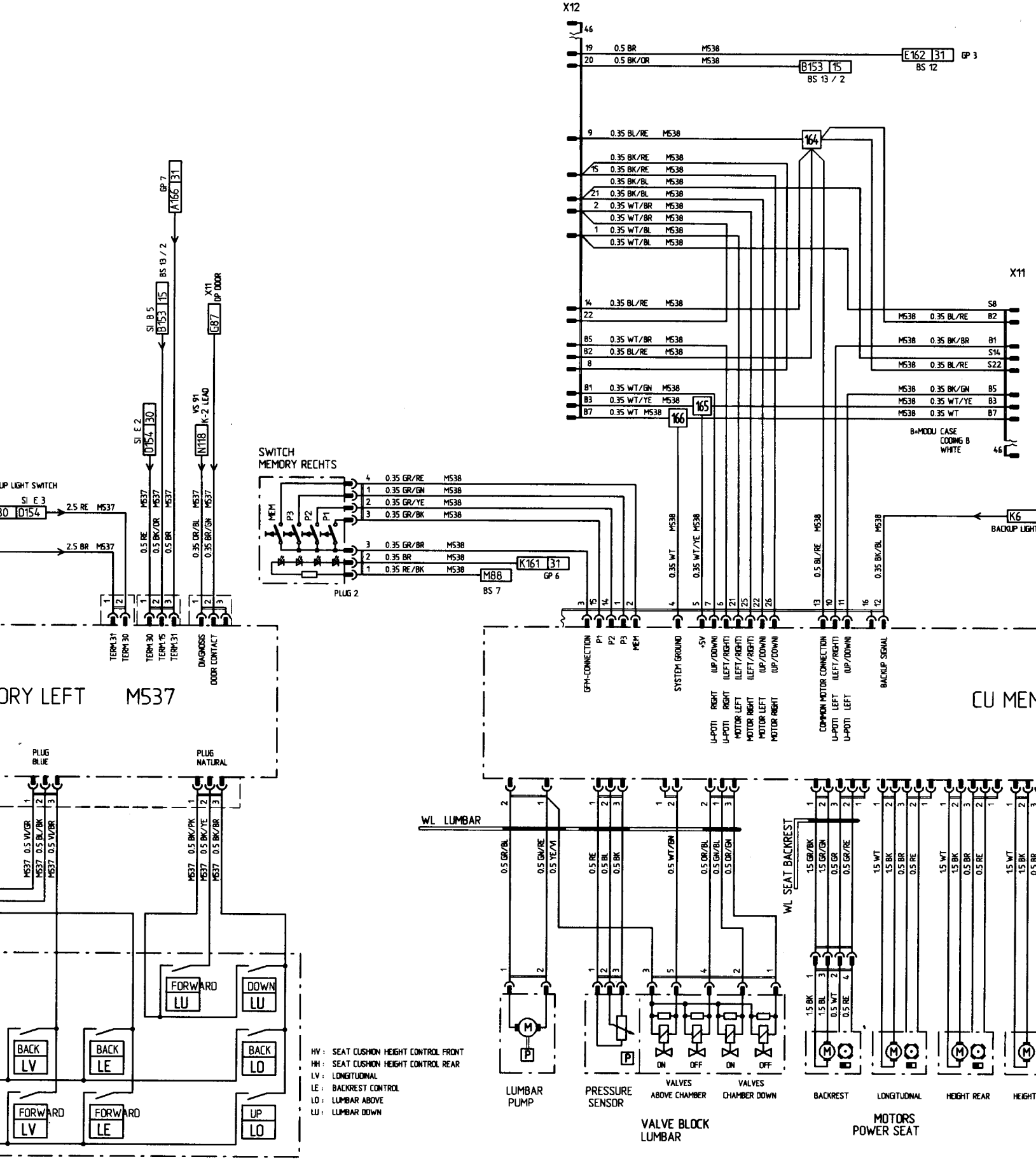
BL = BLUE BR = BROWN YE = YELLOW GN = GREEN GR = GREY PK = PINK RE = RED BK = BLACK VI = VIOLET

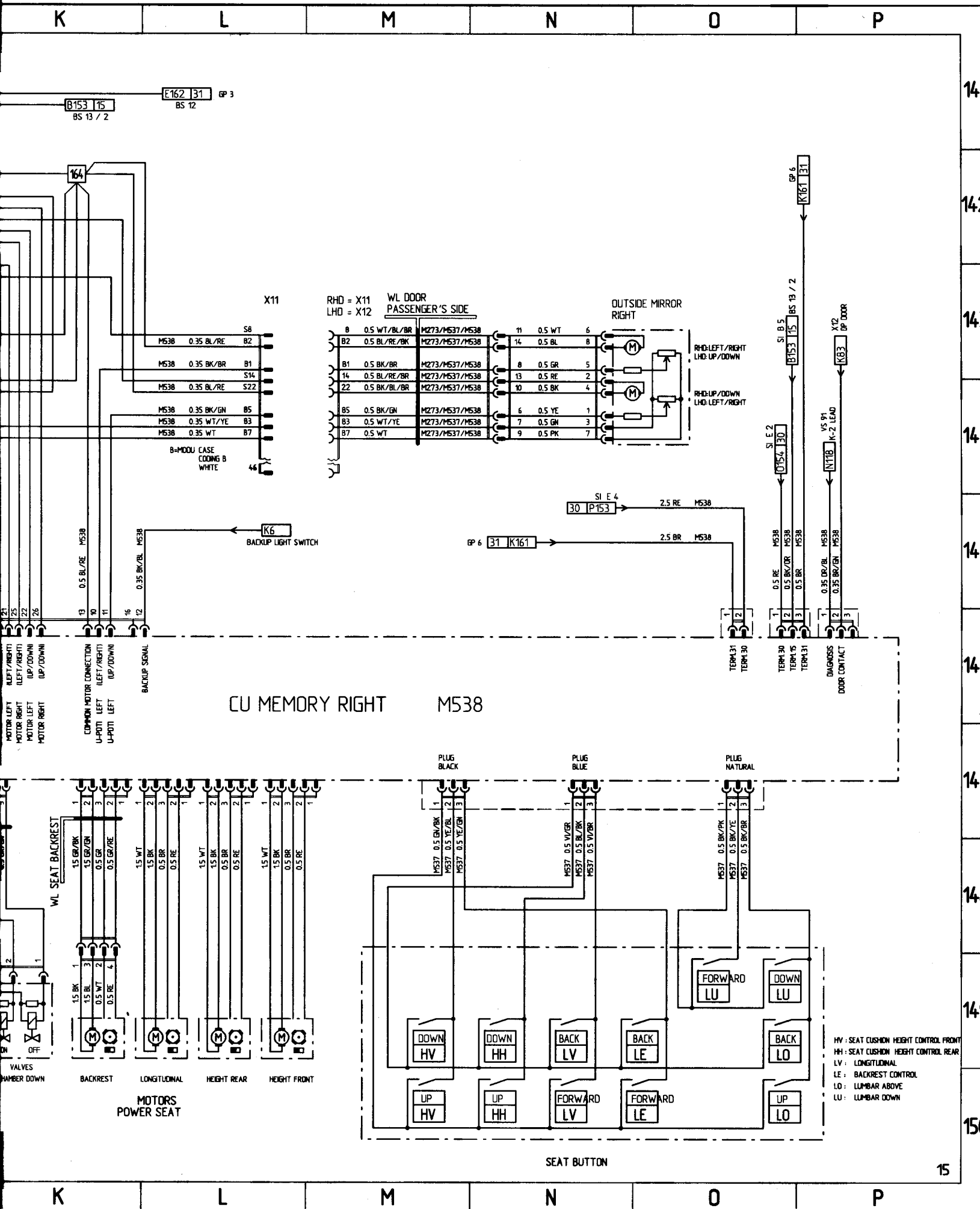


Boxster MODEL 98 SHEET 15

MEMORY SEAT AND MIRROR







CU MEMORY RIGHT M538

RHD = X11 WL DOOR PASSENGER'S SIDE LHD = X12

OUTSIDE MIRROR RIGHT

RHD-LEFT/RIGHT LHD-UP/DOWN RHD-UP/DOWN LHD-LEFT/RIGHT

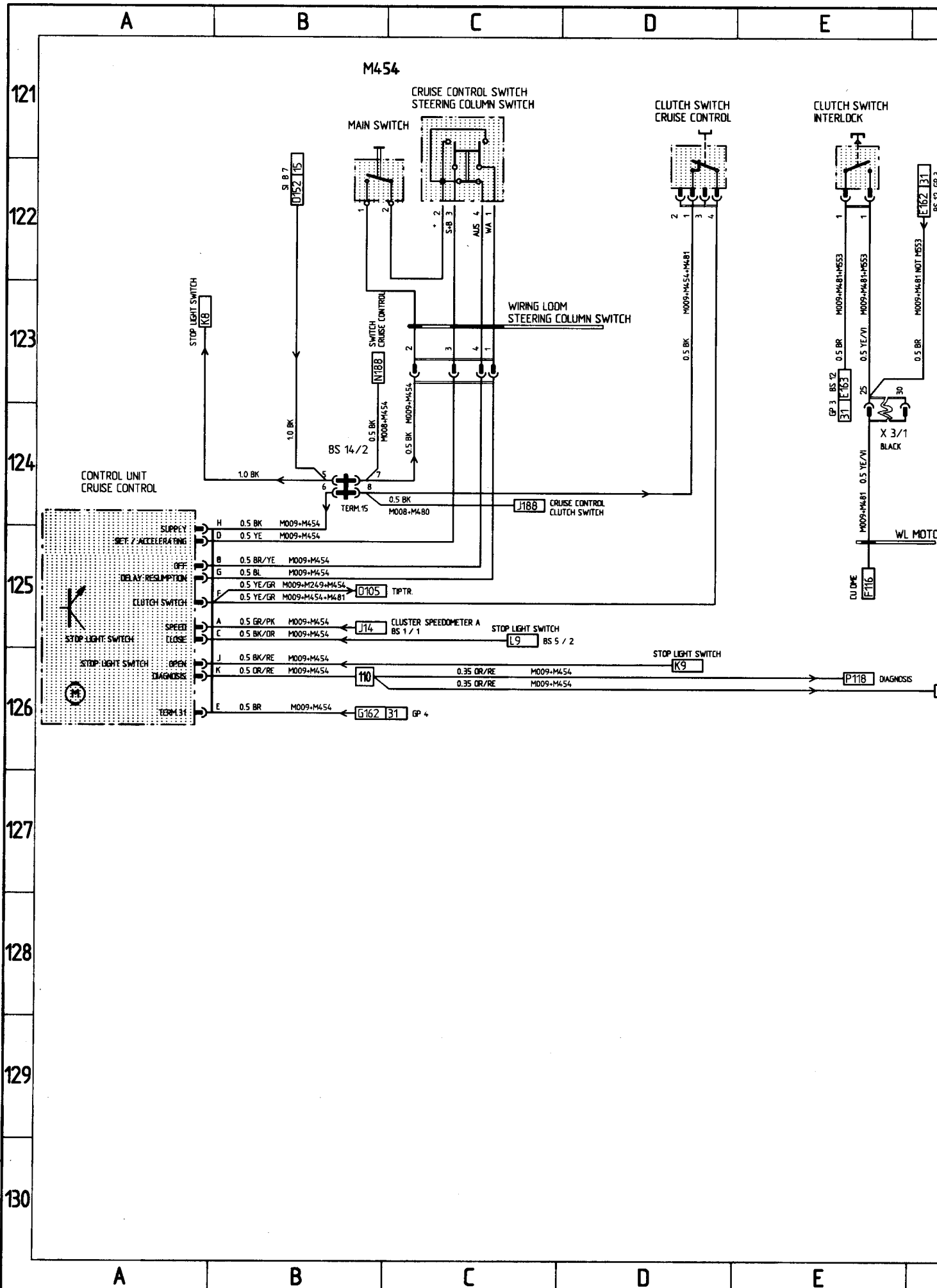
WL SEAT BACKREST

SEAT BUTTON

HV : SEAT CUSHION HEIGHT CONTROL FRONT
 HH : SEAT CUSHION HEIGHT CONTROL REAR
 LV : LONGITUDINAL
 LE : BACKREST CONTROL
 LO : LUMBAR ABOVE
 LU : LUMBAR DOWN

Boxster MODEL 98 SHEET 13

CRUISE CONTROL, AIRBAG, SIDE AIRBAG



F

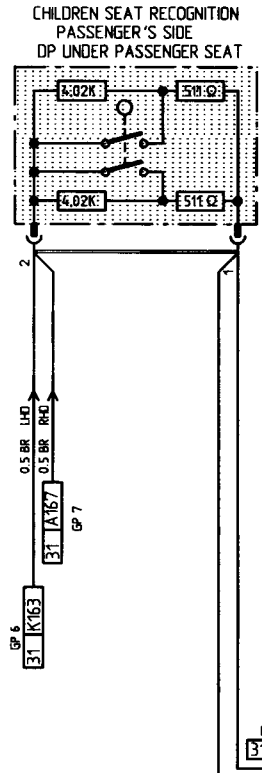
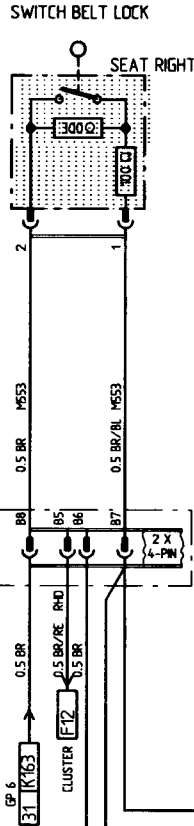
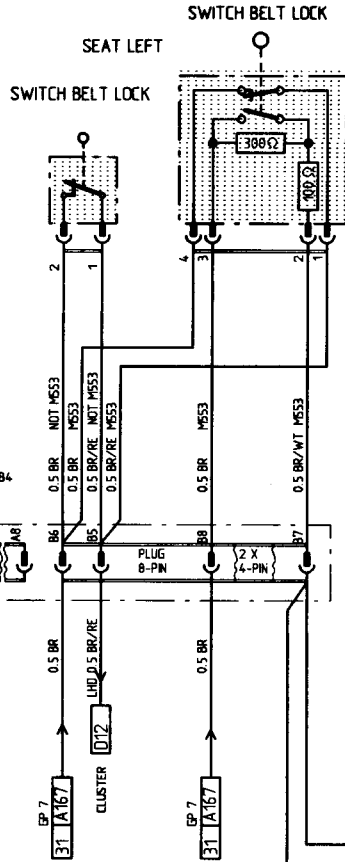
G

H

J

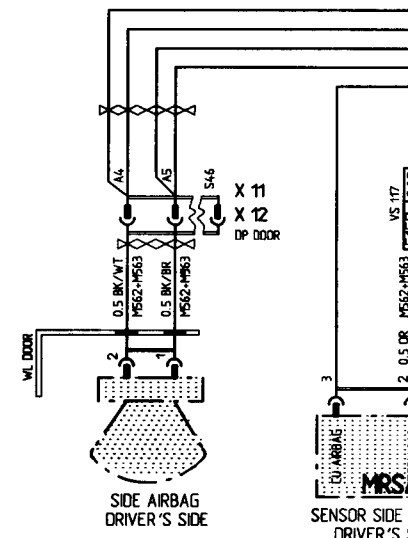
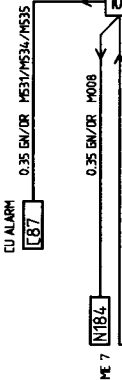
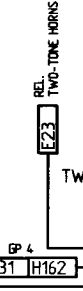
K

L



X 16
PIN 1-6 / B1-B4
SEE SH. 6

X 17
PIN 1-6 / B1-B4
SEE SH. 6



F

G

H

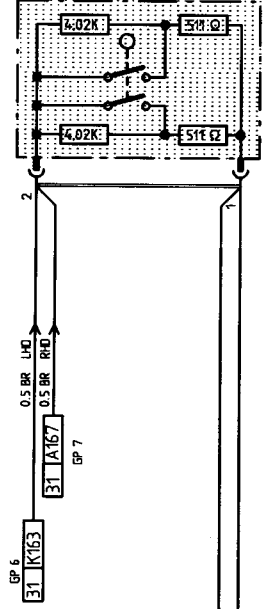
J

K

L

K L M N O P

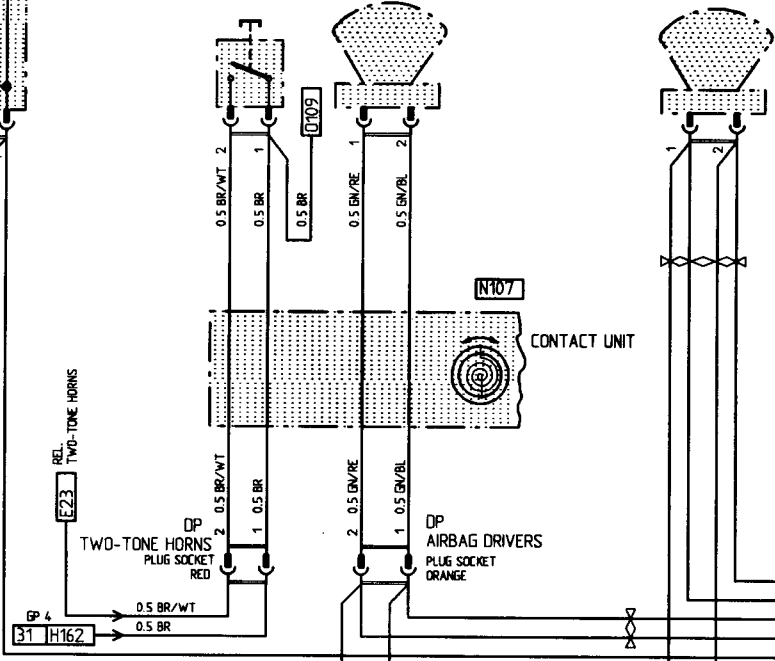
CHILDREN SEAT RECOGNITION PASSENGER'S SIDE DP UNDER PASSENGER SEAT



TWO-TONE HORN CONTACT

AIRBAG DRIVER'S SIDE

AIRBAG PASSENGER'S SIDE

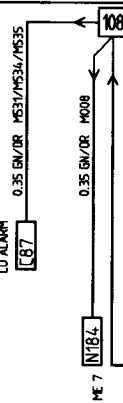


CONTROL UNIT AIRBAG M562

- 13 M562-M563 0.5 BR/WT
- 14 M562-M563 0.5 PK
- 10 M562-M563 0.5 GN/BL
- 11 M562-M563 0.5 GN/RE
- 23 M562-M563 0.5 BR/DR
- 8 M562-M563 0.5 BR/BL
- 12 M562-M563 0.5 BR/WT
- 24 M562-M563 0.35 GN/OR
- 5 M562-M563 0.5 OR
- 7 M562-M563 0.5 YE/RE
- 6 M562-M563 0.5 BR
- 9 M562-M563 0.35 DR/BL

CONTROL UNIT M R S M563

- 9 M562-M563 0.35 DR/BL
- 6 M562-M563 0.5 BR
- 7 M562-M563 0.5 YE/RE
- 5 M562-M563 0.5 OR
- 34 M562-M563 0.35 GN/OR
- 13 M562-M563 0.5 BR/WT
- 14 M562-M563 0.5 PK
- 10 M562-M563 0.5 GN/BL
- 11 M562-M563 0.5 GN/RE
- 33 M562-M563 0.5 BR/DR
- 8 M562-M563 0.5 BR/BL
- 12 M562-M563 0.5 BR/WT
- 16 RHD M562-M563 0.5 BK/GN
- 17 LHD M562-M563 0.5 BK/WT
- 20 M562-M563 0.5 WT
- 18 LHD M562-M563 0.5 BK/GN
- 19 RHD M562-M563 0.5 BK/BR
- 21 LHD M562-M563 0.5 GN/BR



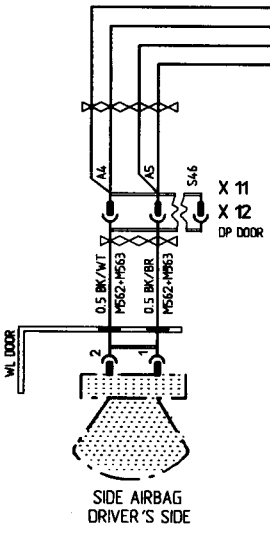
CLUSTER E15

BS 8 N118

EP 7 31 A168

CLUSTER D15

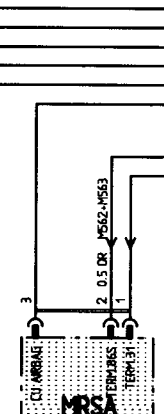
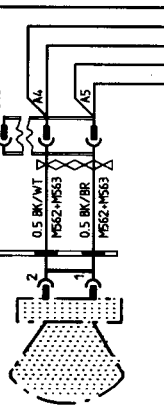
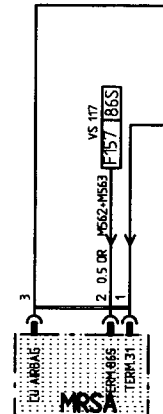
VS 117 86S F157



SENSOR SIDE AIRBAG DRIVER'S SIDE

SIDE AIRBAG PASSENGER'S SIDE

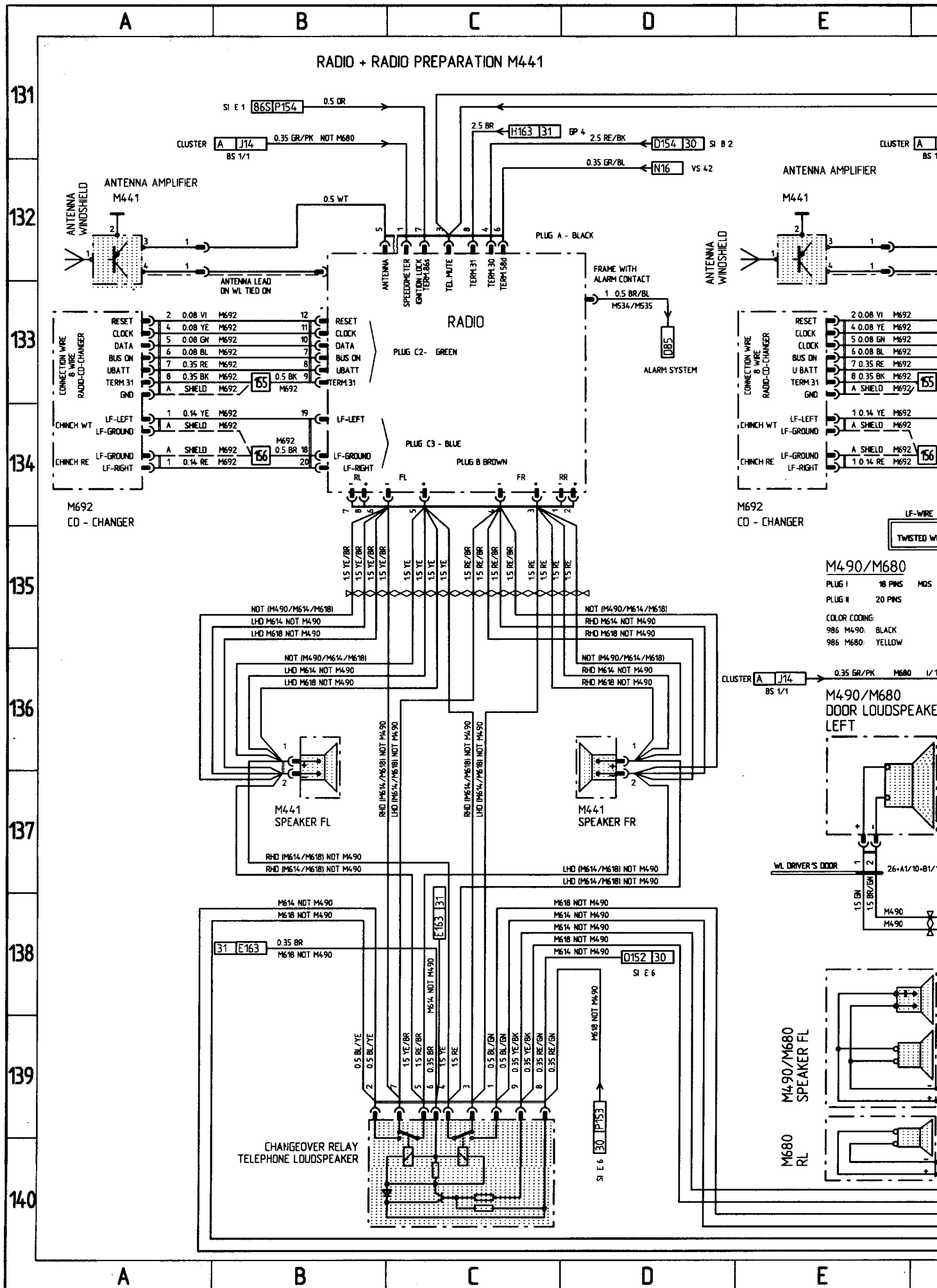
SENSOR SIDE AIRBAG PASSENGER'S SIDE



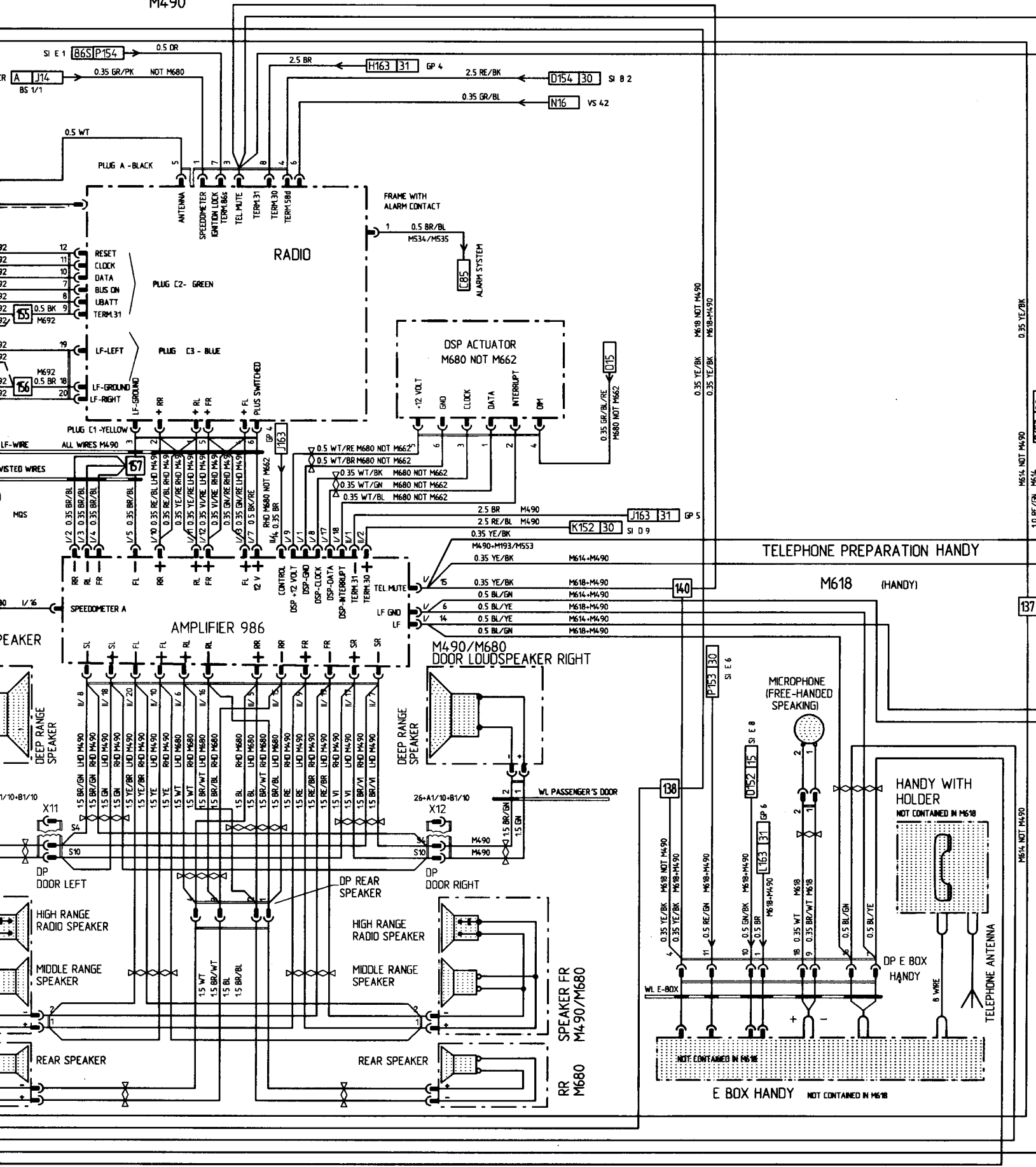
K L M N O P

Boxster MODEL 98 SHEET 14

RADIO, TELEPHONE



RADIO AND AUDIO OPTION PACK / DIGITAL SOUND PACKAGE M680
M490

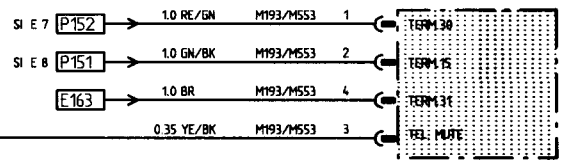


K L M N O P

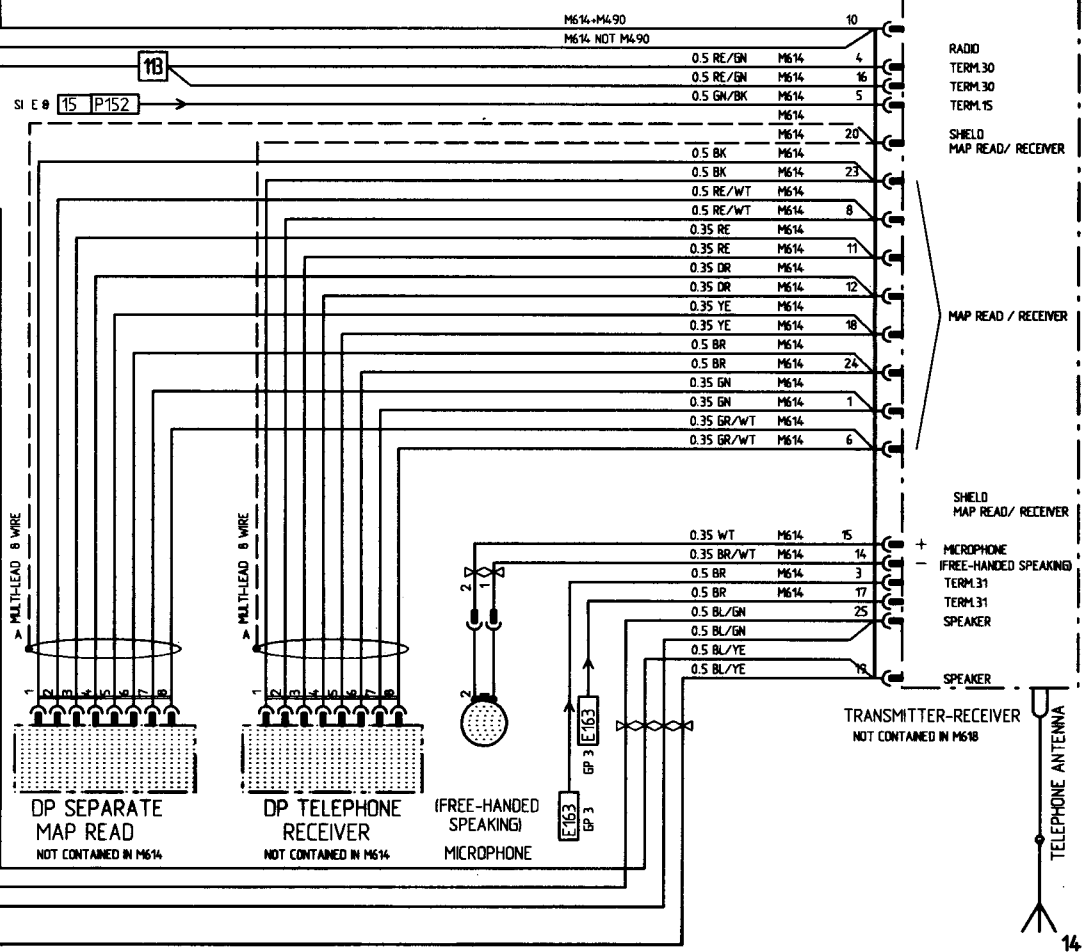
RADIO PLUG:

- PLUG A: BLACK
 - PLUG B: BROWN
 - PLUG C1: YELLOW
 - PLUG C2: GREEN
 - PLUG C3: BLUE
- SUPPLY
 - SPEAKER
 - M4-90 / AMPLIFIER
 - CD-CHANGER / CONNECTOR 8-PINS
 - CD-CHANGER / LF-WIRE

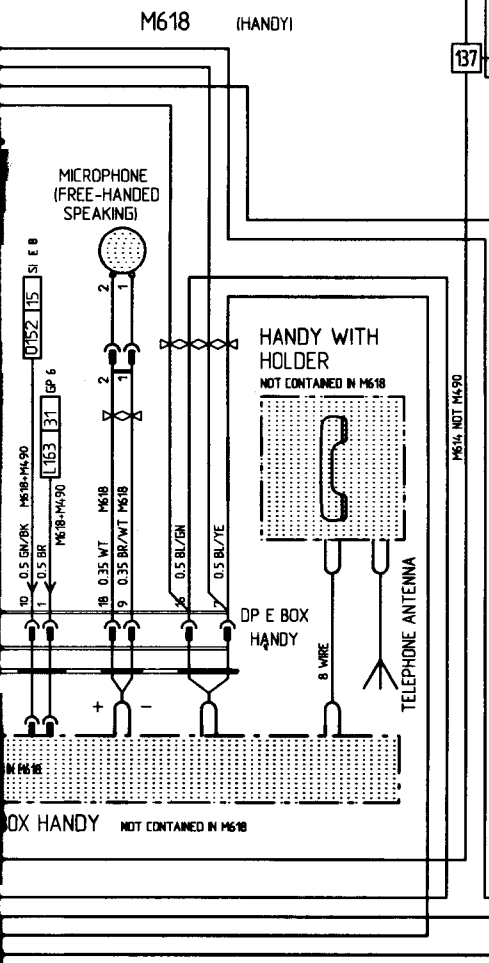
TELEPHONE PREPARATION M193/M553



TELEPHONE PREPARATION D-NETWORK M614 (MOTOROLA)



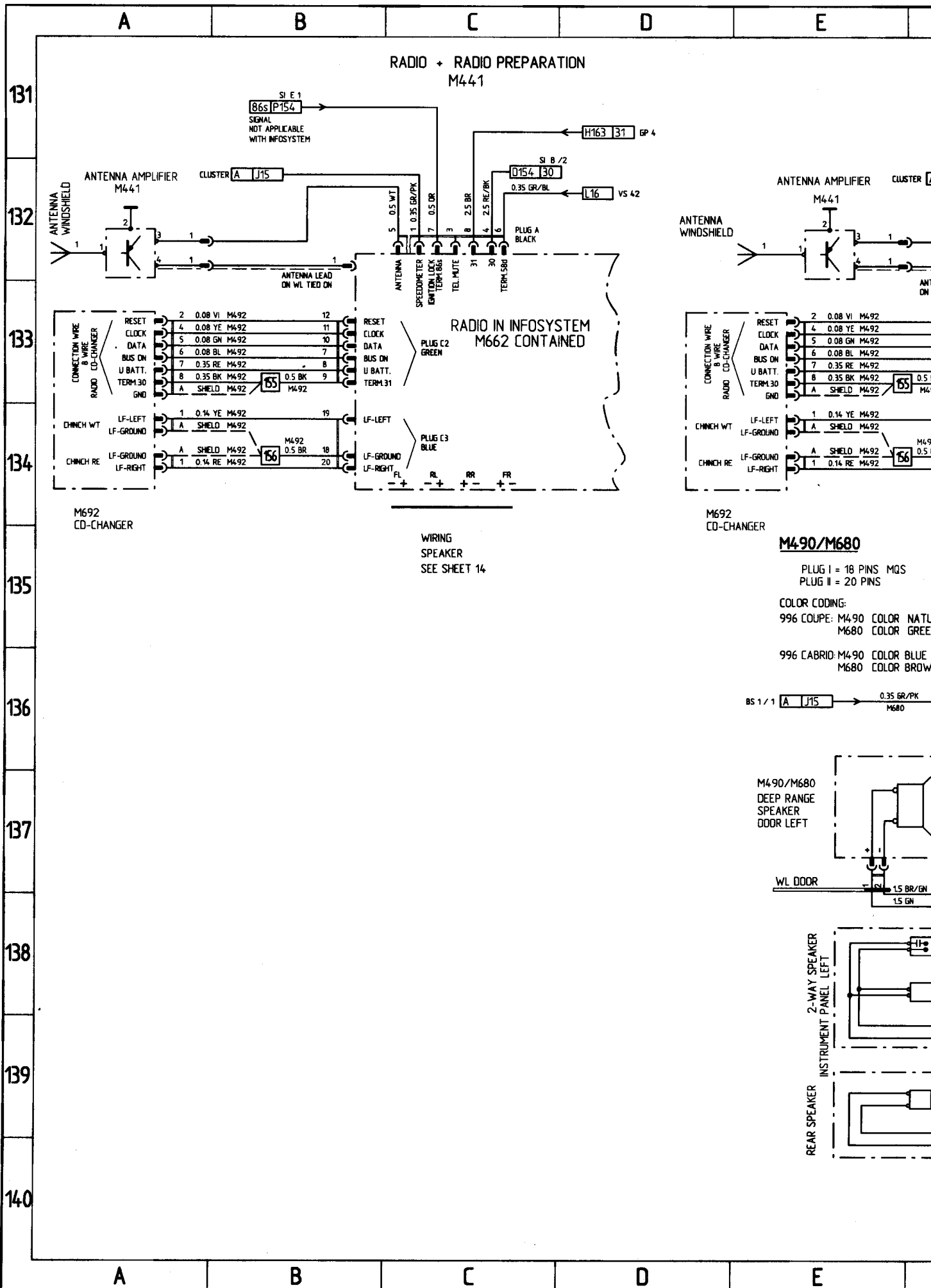
TELEPHONE PREPARATION HANDY



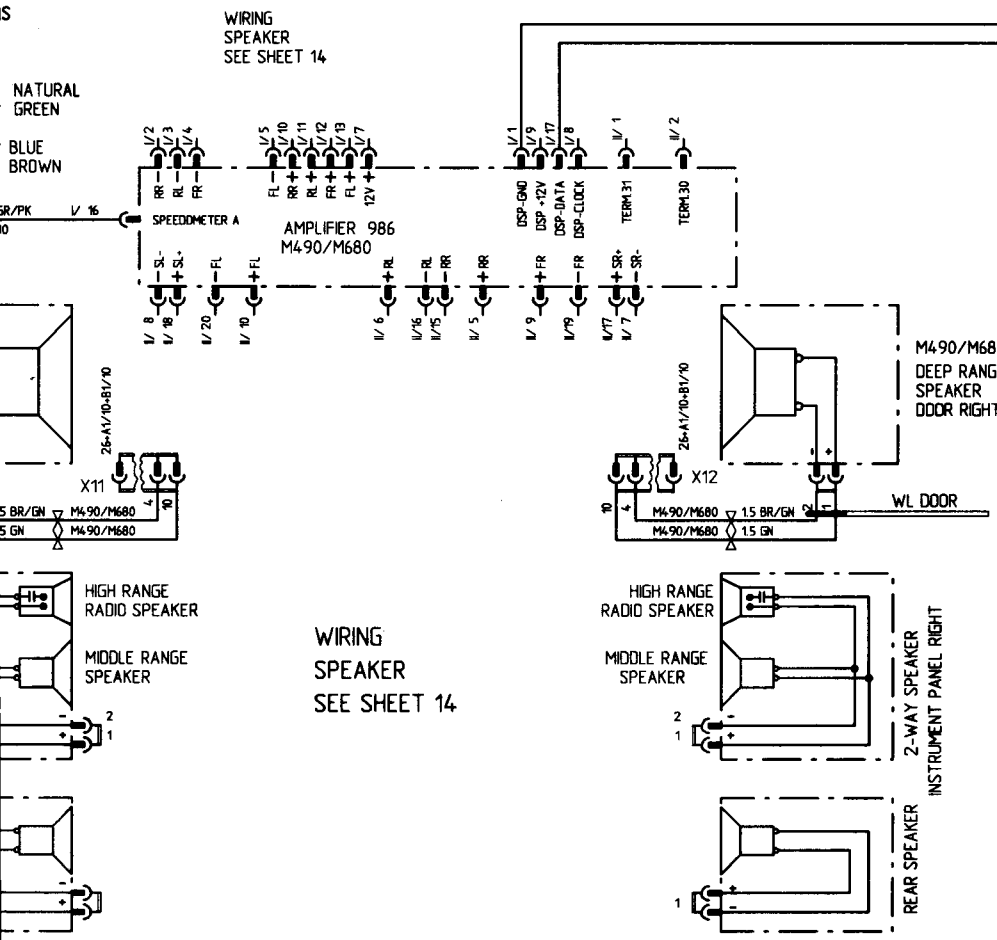
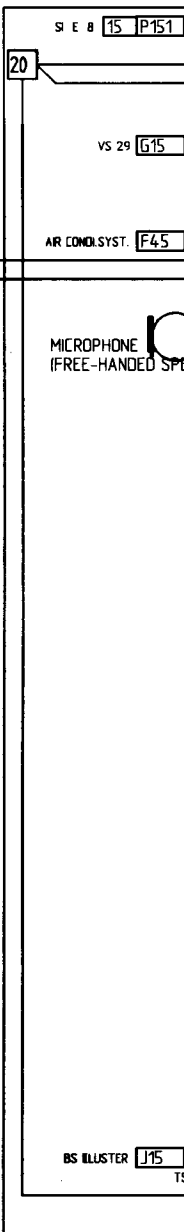
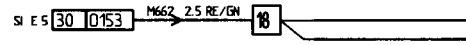
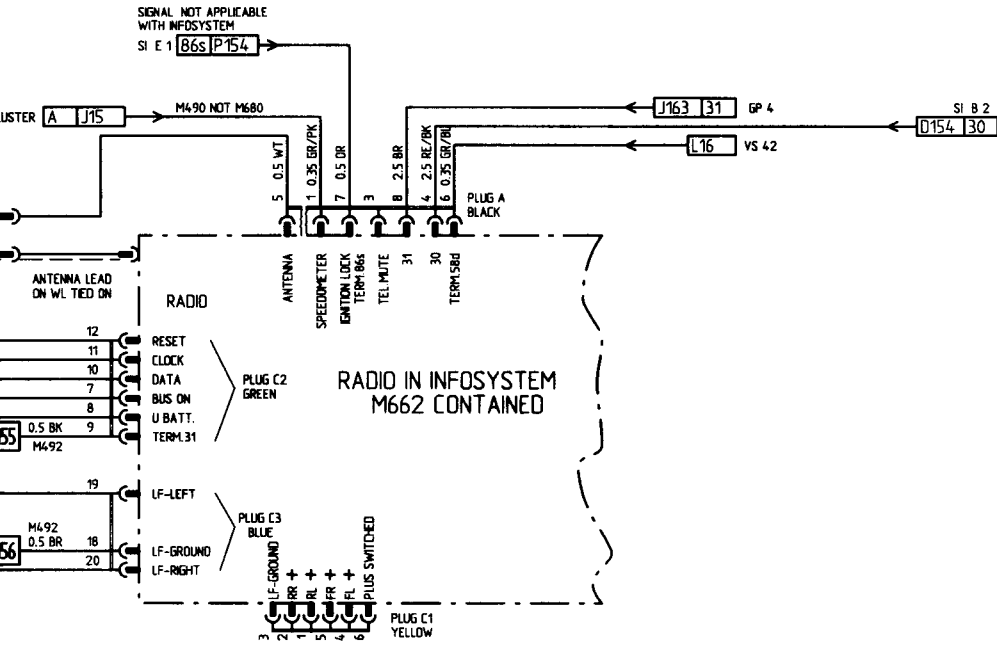
K L M N O P

Boxster MODEL 98 SHEET 14A

INFOSYSTEM NAVIGATION



RADIO AND AUDIO OPTION PACK / DSP
M490 M680



K

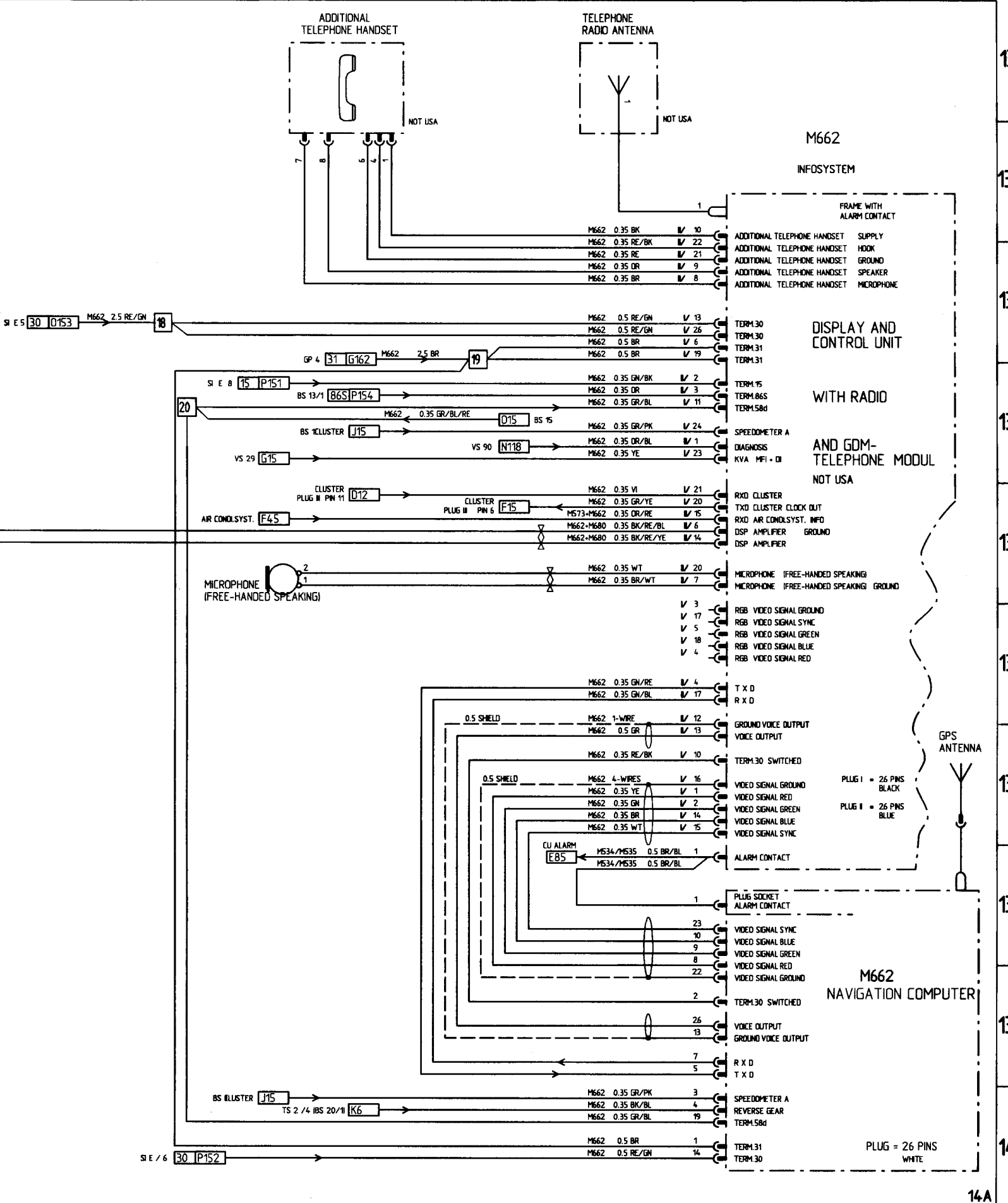
L

M

N

O

P



K

L

M

N

O

P

BK = BLACK

VI = VIOLET

WT = WHITE

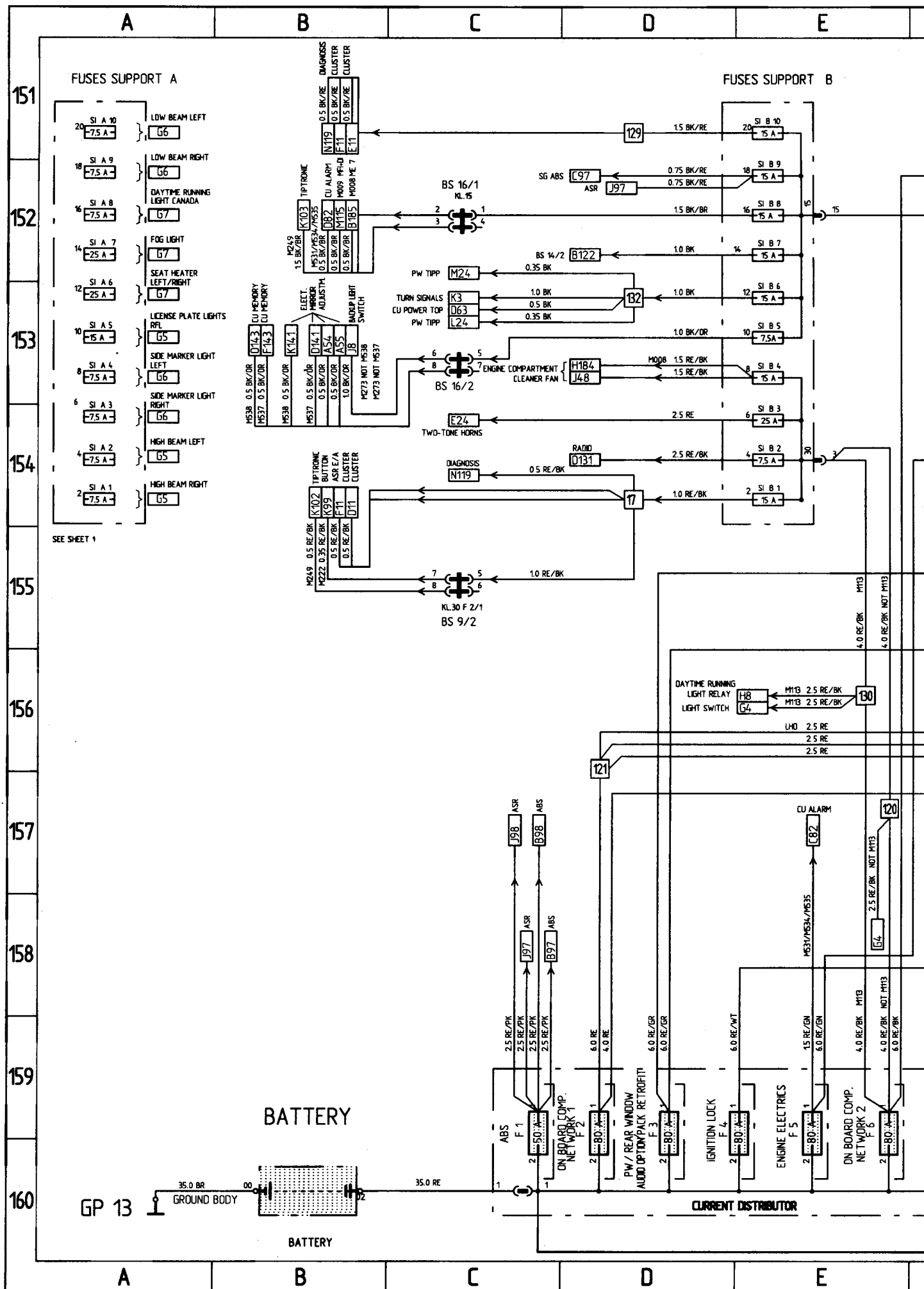
⊗ ⊗ ⊗ ⊗ = TWISTED WIRES

WIRING DIAGRAM

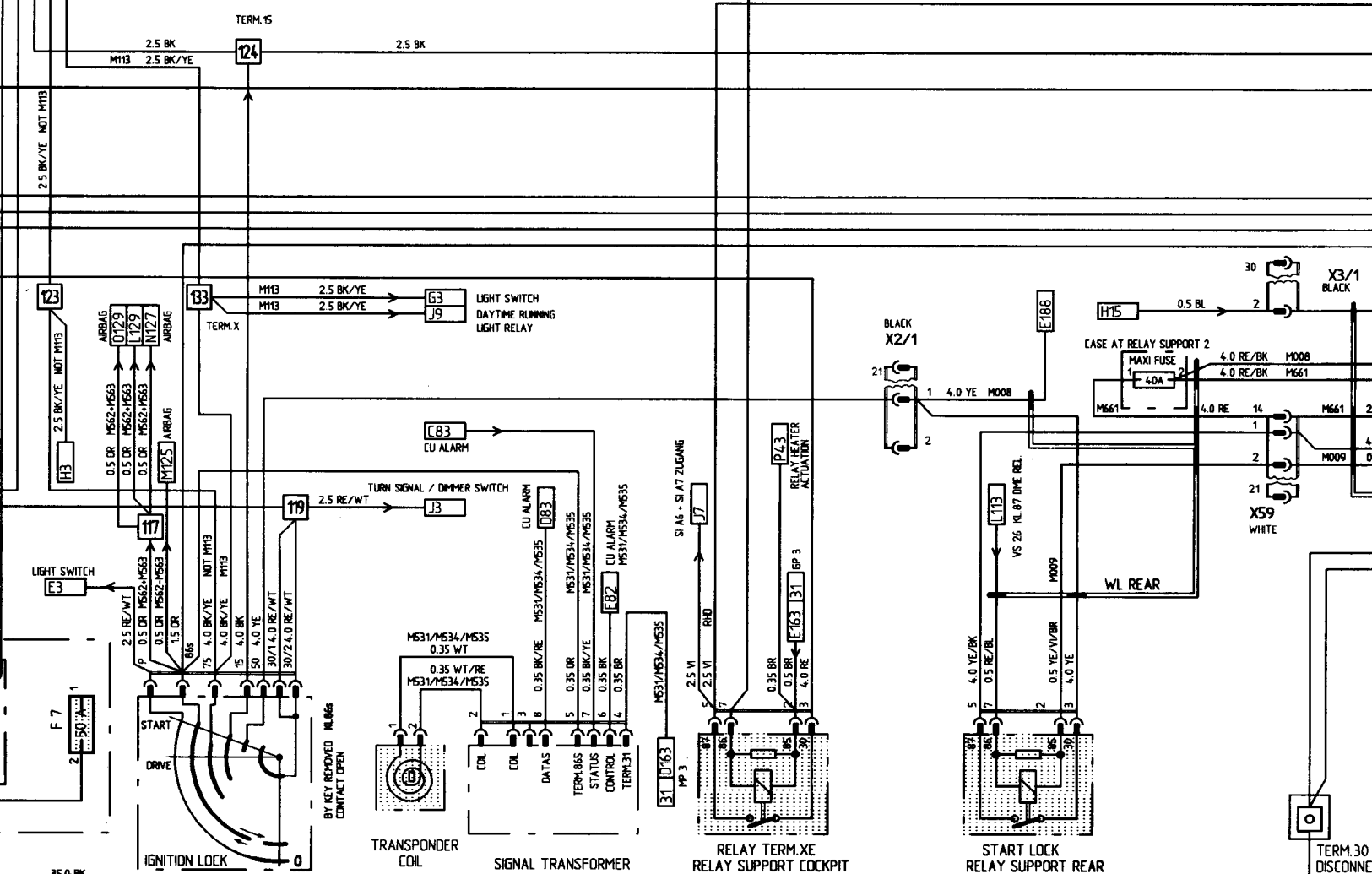
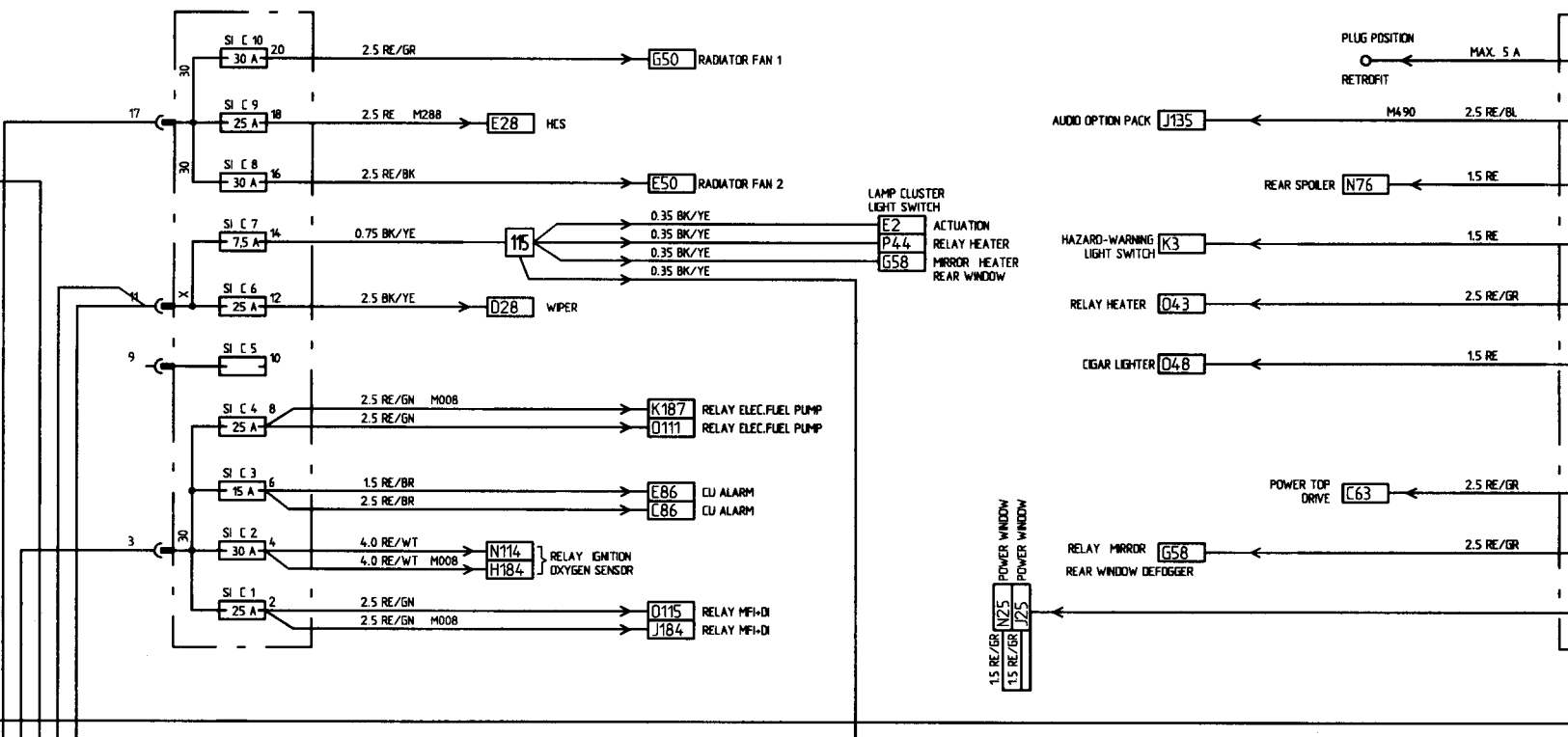
97-73

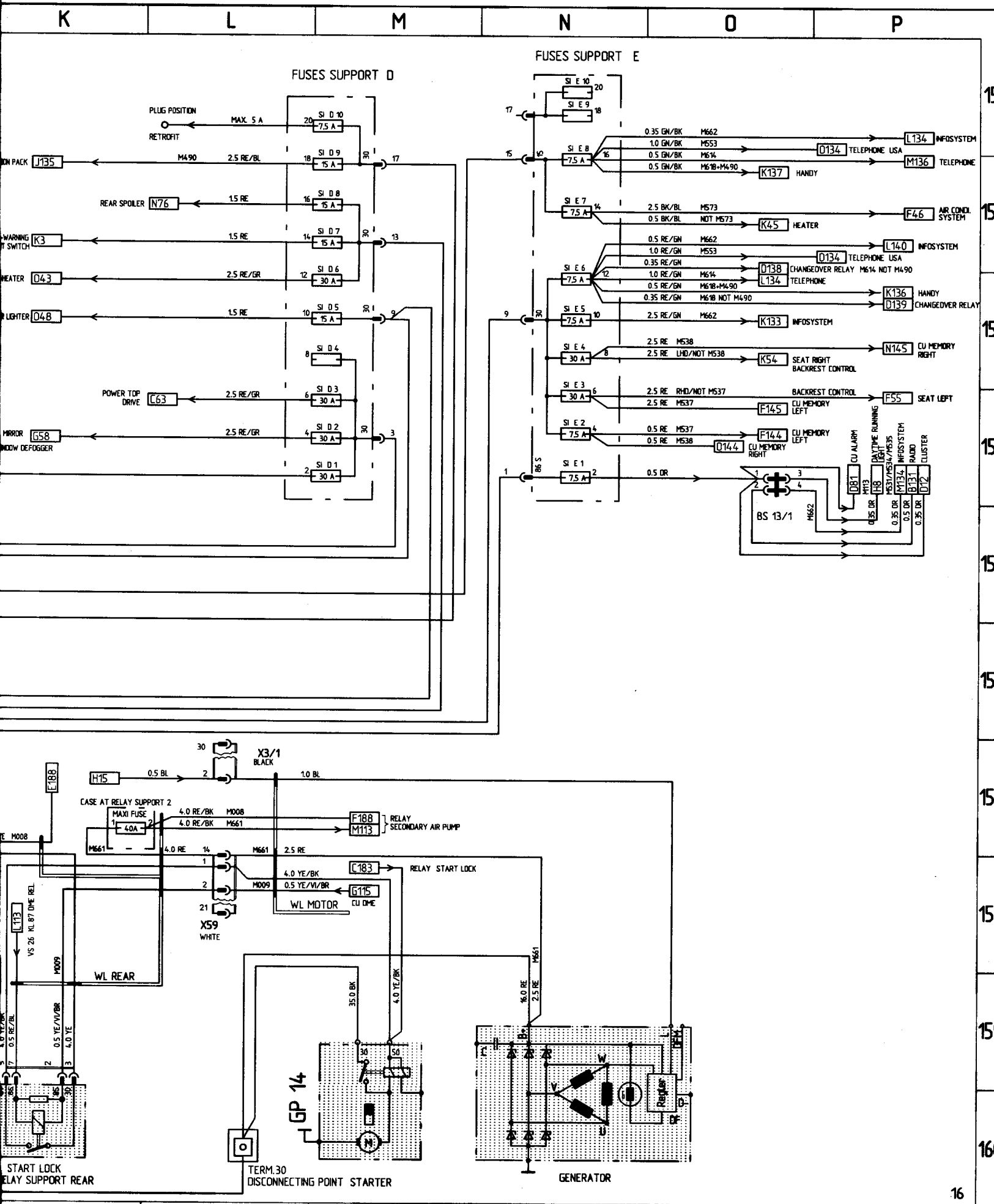
Boxster MODEL 98 SHEET 16

POWER SUPPLY, FUSES



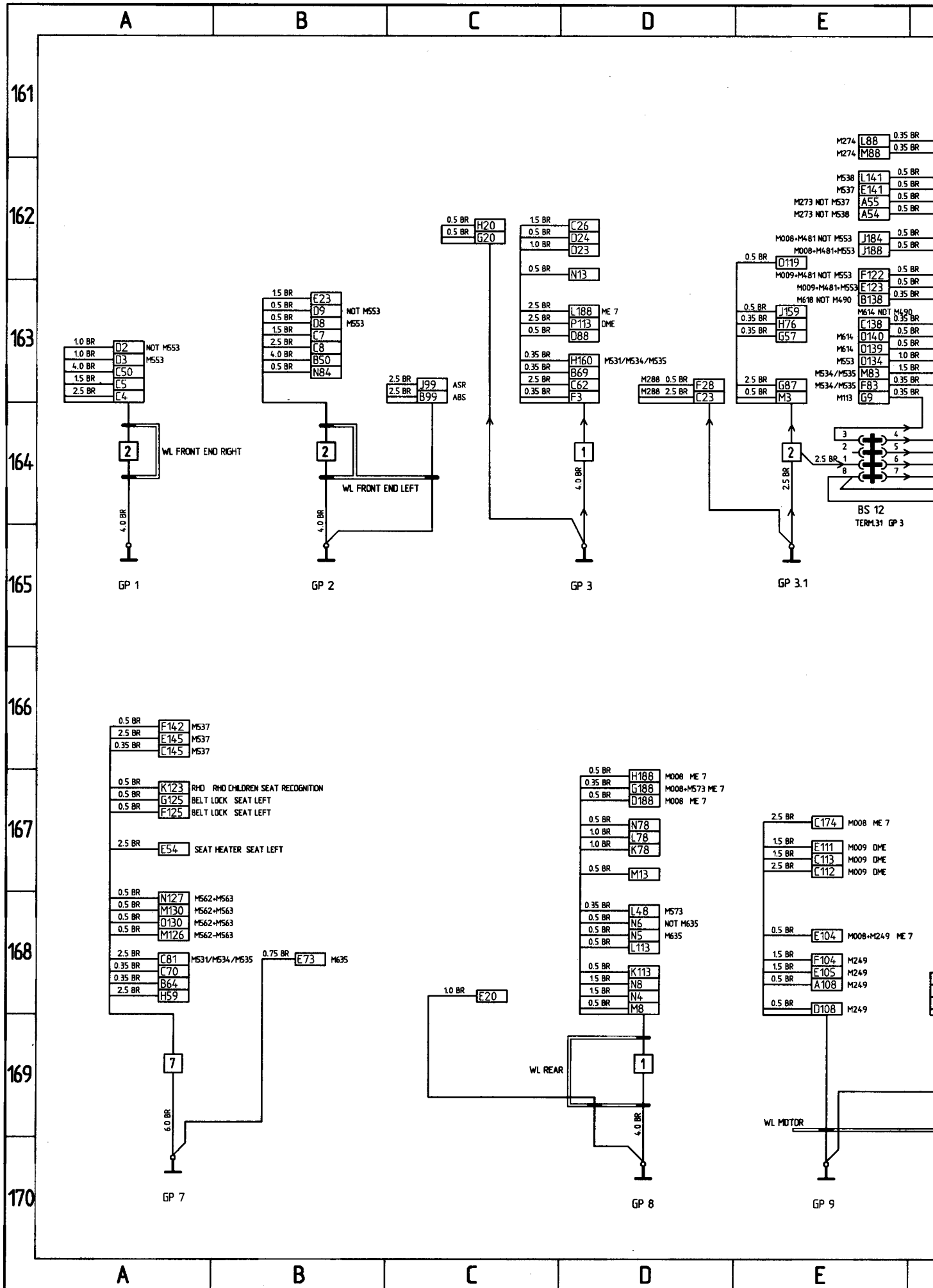
FUSES SUPPORT C





Boxster MODEL 98 SHEET 17

GROUND POINTS



F

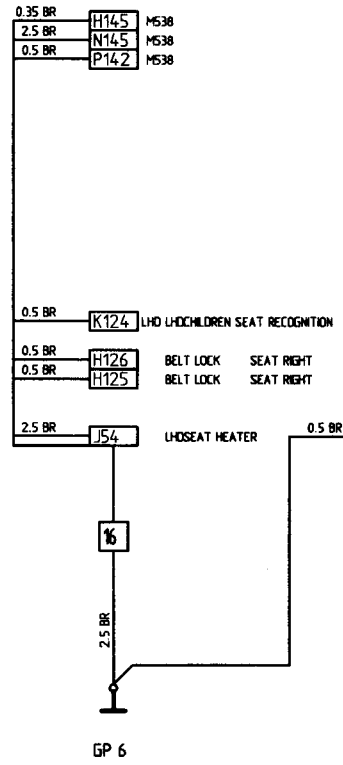
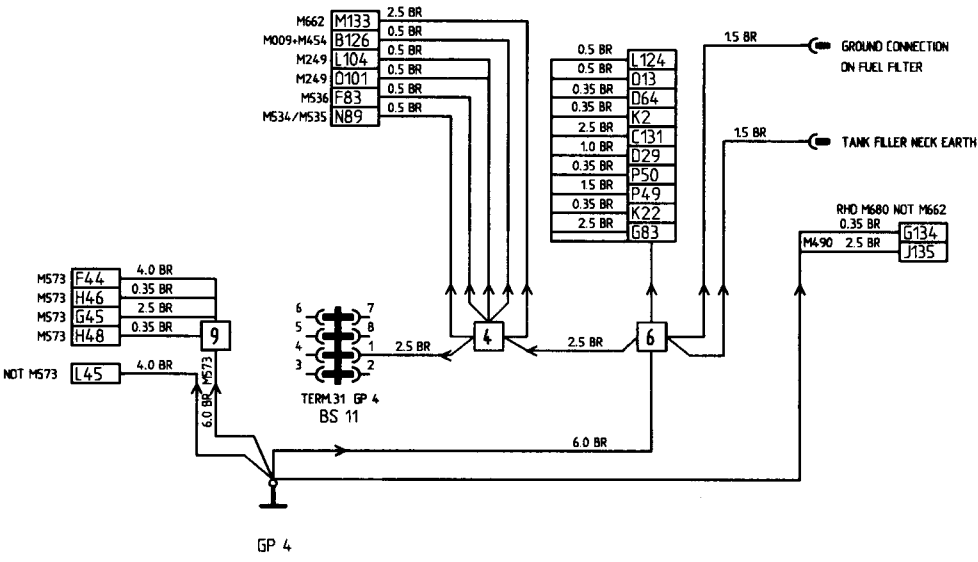
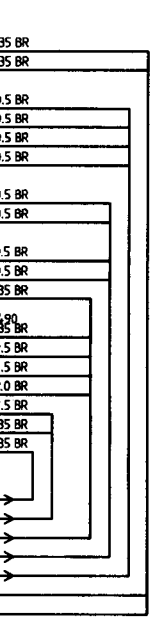
G

H

J

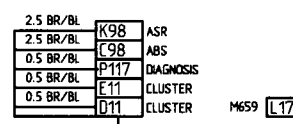
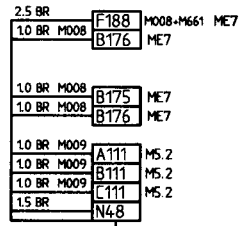
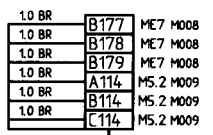
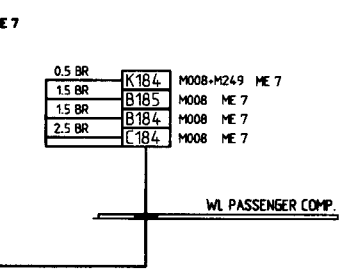
K

L



GROUND IGNITION COIL
CYLINDER
4/5/6

GROUND IGNITION COIL
CYLINDER
1/2/3



GP 10

GP 11

GP 12

ELECTRONICS GROUND

F

G

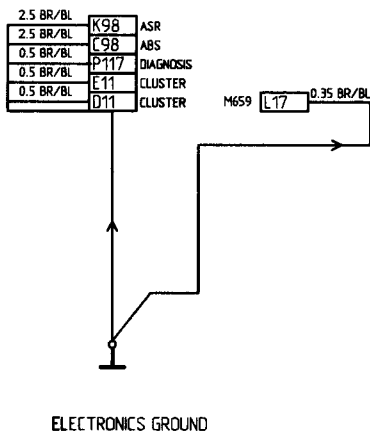
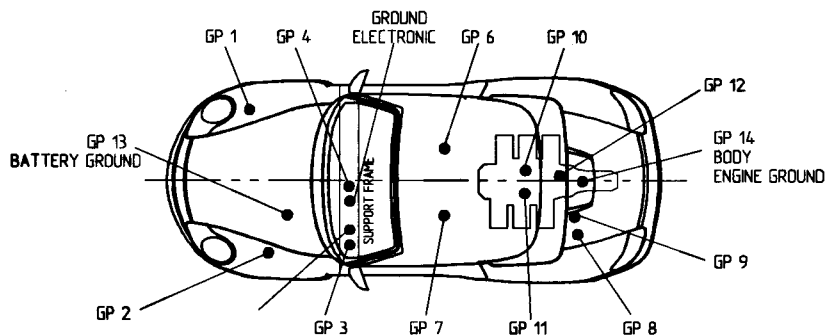
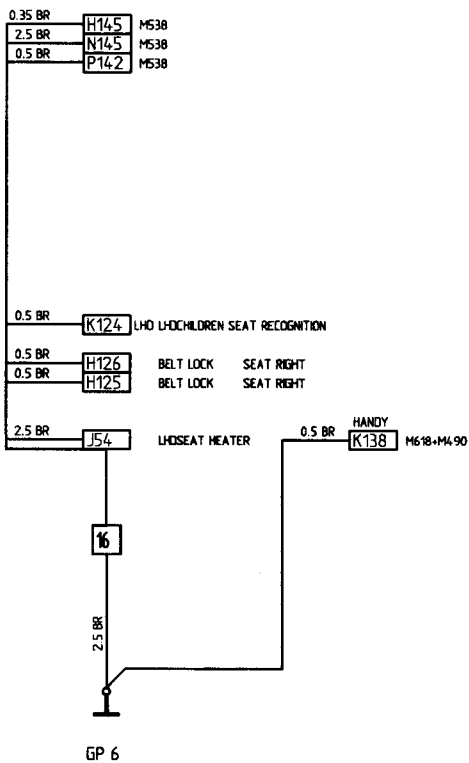
H

J

K

L

K L M N O P



K L M N O P

Boxster MODEL 98 SHEET 18

CONSTRUCTION COMPONENTS

A		B		C		D		E	
CONSTRUCTION COMPONENTS									
DESIGNATION, FUNCTION		POSITION IN VEHICLE		NOTE		FIELD IN WIRING DIAGRAM			
		LHD	RHD						
ALARM HORN		5bP	5bM	LEFT OF BATTERY		M81/82			
ANTENNA AMPLIFIER		7bL	7bL	RIGHT ON THE A-PILLAR/HEIGHT MIRROR OUTSIDE		A132			
OUTSIDE TEMP. SENSOR		1dM	1dM	ATTACHED TO RIB OF PV PART		J20			
STOP LIGHT SWITCH		6cP	6cL	BELOW DASHBOARD ON BRAKE PEDAL LINKAGE		K10			
BRIDGE PLUG		6cQ	6cL			SIEHE BL.21			
DIAGNOSIS CONNECTION		6cQ	6cQ	LEFT BELOW DASHBOARD		N/D120			
ENGINE SPEED SENSOR		13cD	13cD			A115			
THRDTTLE VALVE SENSOR		11cD	11cD			A/B118/119			
PRESSURE SWITCH AIR CONDITIONING SYSTEM		5bM	5bP	IN FRONT OF AIR CLEANER		H50			
TWO-TONE HORNS		1dM	1dM	ABOVE UNDERSIDE PANEL		D/E21			
BLOWER ENGINE COMPARTMENT		12cQ	12cQ			N50			
BLOWER MOTOR RIGHT		3cL	3cL	UNDER MAIN HEADL. ON PU PART		C49/50			
BLOWER MOTOR LEFT		3cQ	3cQ	UNDER MAIN HEADL. ON PU PART		A49/50			
HALL SENSOR		12cM	12cM			A/B116			
HYDRAULIC UNIT ABS		4cQ	4cQ	FRONT LUGGAGE COMPARTMENT LEFT		B-692/93			
ABS/ABD HYDRAULIC UNIT		4cQ	4cQ	FRONT LUGGAGE COMPARTMENT LEFT		J-092/93			
KICK-DOWN SWITCH		5cD	5cL	UNDER THE ACCELERATOR PEDAL		D/P102			
KNOCK SENSOR CYL.1-3		12cL	12cL			A/B117			
KNOCK SENSOR CYL.4-6		12cQ	12cQ			A/B117			
FUEL PUMP		5dD	5dD	IN THE TANK UNDER THE BATTERY					
CLUTCH SWITCH CRUISE CONTROL		5dQ	5dN	AT CLUTCH PEDAL		P111			
INSTRUMENT CLUSTER		6pB	6mB			F122			
OXYGEN SENSOR UPSTR.CATCYL. 1/3		14dQ	14dQ			H111			
OXYGEN SENSOR UPSTR.CATCYL. 3/6		14dL	14dL			H111			
OXYGEN SENSOR BEHIND CATCYL. 1/3		16dQ	16dQ			J111			
OXYGEN SENSOR BEHIND CATCYL. 3/6		16dL	16dL			J111			
IDLE SPEED POSITIONER		13cD	13cD			J120			
MASS AIR FLOW SENSOR		13cD	13cD			K/L120			
MICRO SWITCH CONVERTIBLE TOP UNLOCK		9aD	9aD	AT WIND COURSE FRAME		B70			
MICRO SWITCH CONVERTIBLE TOP LOCK		9aN	9aN	AT WIND COURSE FRAME		B70			
MICRO SWITCH VDKD CLOSE		13bN	13bN	IN REAR LUGGAGE COMPARTMENT		B62			
MICRO SWITCH CONVERTIBLE TOP CLOSED		12bQ	12bQ	B-PILLAR LEFT		C70			
NTC TEMPERATURE FOR INTAKE AIR						A115			
OIL PRESSURE SENSOR/SWITCH						J11			
OIL LEVEL SENSOR						K11			
OIL TEMPERATURE SENSOR						K11			
SWITCH LIFTING		15dN	15dN	ON GEARBOX		B109/110			

F

G

H

J

K

L

DESIGNATION, FUNCTION	POSITION IN VEHICLE		NOTE	FIELD IN WIRING DIAGRAM
	LHD	RHD		
RELAY AC COMPRESSOR	15bQ	15bQ	REAR LUGGAGE COMPARTMENT LEFT, ON RELAY SUPPORT 2	L50
RELAY FLASHER	6cQ	6cL	FOOTWELL LEFT ON RELAY SUPPORT 1	M1
RELAY MFI + DI	15bQ	15bQ	REAR LUGGAGE COMPARTMENT LEFT, ON RELAY SUPPORT 2	L/M111
RELAY FUEL PUMP	6cQ	6cL	FOOTWELL LEFT ON RELAY SUPPORT 1	N111
RELAY POWER TOP	6cQ	6cL	FOOTWELL LEFT ON RELAY SUPPORT 1 DOUBLE RELAY	A-E65-67
RELAY TWO-TONE HORN	6cQ	6cL	FOOTWELL LEFT ON RELAY SUPPORT 1	E21
RELAY ACTUATION HEATING	6cQ	6cL	FOOTWELL LEFT ON RELAY SUPPORT 1	N41
RELAY RADIATOR FAN 1 STAGE 1	6cQ	6cL	FOOTWELL LEFT ON RELAY SUPPORT 1	F50
RELAY RADIATOR FAN 1 STAGE 2	6cQ	6cL	FOOTWELL LEFT ON RELAY SUPPORT 1	G50
RELAY RADIATOR FAN 2 STAGE 1	6cQ	6cL	FOOTWELL LEFT ON RELAY SUPPORT 1	D50
RELAY RADIATOR FAN 2 STAGE 2	6cQ	6cL	FOOTWELL LEFT ON RELAY SUPPORT 1	E50
RELAY TERM.X	6cQ	6cL	FOOTWELL LEFT ON RELAY SUPPORT 1	J160
RELAY ENGINE COMPARTMENT CLEANER FAN	15bQ	15bQ	REAR LUGGAGE COMPARTMENT LEFT, ON RELAY SUPPORT 2	K/L50
RELAY FOG LIGHT SWITCH OFF USA/JAPAN	6cQ	6cL	FOOTWELL LEFT ON RELAY SUPPORT 1	E10
RELAY SECONDARY AIR PUMP	15bQ	15bQ	REAR LUGGAGE COMPARTMENT LEFT, ON RELAY SUPPORT 2	M111
RELAY MIRROR / REAR WINDOW DEFROGGER	6cQ	6cL	FOOTWELL LEFT ON RELAY SUPPORT 1	G60
RELAY SPOILER EXTENSION	15bQ	15bQ	REAR LUGGAGE COMPARTMENT LEFT, ON RELAY SUPPORT 2	K80
RELAY SPOILER RETRACTION	15bQ	15bQ	REAR LUGGAGE COMPARTMENT LEFT, ON RELAY SUPPORT 2	L80
RELAY START LOCK	15bQ	15bQ	REAR LUGGAGE COMPARTMENT LEFT, ON RELAY SUPPORT 2	K160
RELAY DAYTIME RUNNING LIGHT	6cQ	6cL	FOOTWELL LEFT ON RELAY SUPPORT 1 DOUBLE RELAY	G/H10
RELAY HCS	6cQ	6cL	FOOTWELL LEFT ON RELAY SUPPORT 1	F30
RELAY WIPER INTERMITTENT CONTROL	6cQ	6cL	FOOTWELL LEFT ON RELAY SUPPORT 1	E30
RELAY IGNITION / OXYGEN SENSOR	15bQ	15bQ	REAR LUGGAGE COMPARTMENT LEFT, ON RELAY SUPPORT 2	L111
BACKUP LIGHT SWITCH	14cN	14cN	ON GEARBOX	J10
WINDSHIELD WASHING FLUID PUMP	6dQ	6dQ	ON WASHER TANK REAR	D21
SECONDARY AIR PUMP	12bM	12bM		F/G111
FUSES SUPPORT	6dQ	6dL	ON THE A-PILLAR IN FOOTWELL	A-P151-154
PREDETERMINED MELTING AREAS	6cN	6cN	PASSENGER'S FOOTWELL	C-F159/160
HEADLIGHT CLEANER PUMP	6dQ	6dQ	WINDSHIELD WASHER PUMP	C21
STARTER	13cN	13cN		M160
CONTROL UNIT ABS	4cQ	4cQ	FRONT LUGGAGE COMPARTMENT LEFT	B-694
CONTROL UNIT AIRBAG	7cN	7cN	FLOOR PANEL CENTER CONSOLE	D/P125/126
CONTROL UNIT ALARM SYSTEM/CENTRAL LOCKING SYSTEM	10cP	10cP	UNDER THE DRIVER SEAT	A82-88
CONTROL UNIT MFI+DI	15cP	15cP		CDE111-120
CONTROL UNIT HEATING, AIR CONDITIONING	6bD	6bD	IN CONTROL UNIT	A-E41/42
CONTROL UNIT CRUISE CONTROL WITH DRIVE MOTOR	6cD	6cM	L ABOVE FOOTWELL OUTLET NOZZLE	A/B125/126
CONTROL UNIT TIPTRONIC TRANSMISSION	15cN	15cN	IN REAR LUGGAGE COMPARTMENT	C-H101/102
LIGHTS ON BUZZER	6bP	6bP	IN CLUSTER	A/B15
FUEL LEVEL SENSOR	5cD	5cD	IN THE TANK UNDER THE BATTERY	P111
TANK VENTING VALVE	6cK	6cK		K120
AMPLIFIER	6bN	6bN	IN LUGGAGE COMPARTMENT RIGHT REAR	F/G135/136

a

b

c

d

e

K

L

M

N

O

P

Q

R

F

G

H

J

K

L

Boxster MODEL 98 SHEET 19

CONNECTORS AND ABBREVIATIONS

PLUG CONNECTIONS			POSITION IN VEHICLE		NOTE
CODE	NUMBER OF PINS	DESIGNATION, FUNCTION	LHD	RHD	
X 1/1	21	CONNECTION WL PASSENGER COMPARTMENT / WL FRONT END LEFT	4cP		IN LUGGAGE COMPARTMENT
X 1/2	21	CONNECTION WL PASSENGER COMPARTMENT / WL FRONT END RIGHT	4cQ		
X 3/1	30	CONNECTION WL PASSENGER COMPARTMENT / WL MOTOR	15cP		
X 3/2	21	CONNECTION WL PASSENGER COMPARTMENT / WL MOTOR	15cP		
X10	4	CONNECTION WL PASSENGER COMPARTMENT / WL MOTOR POWER TOP			
X11	46	CONNECTION WL PASSENGER COMPARTMENT / WL DOOR LEFT	7cQ		
X12	46	CONNECTION WL PASSENGER COMPARTMENT / WL DOOR RIGHT	7cL		
X15	3	CONNECTION WL PASSENGER COMPARTMENT / WL HARDTOP	12cQ		
X16	6, 8 (2X4)	CONNECTION WL PASSENGER COMPARTMENT / WL SEAT HEATING LEFT	9dP		
X17	6, 8 (2X4)	CONNECTION WL PASSENGER COMPARTMENT / WL SEAT HEATING RIGHT	9dH		
X20	4	CONNECTION WL PASSENGER COMPARTMENT / WL HEATER	6cD		
X20/1	12	CONNECTION WL PASSENGER COMPARTMENT / WL HEATER PLUG Y	6cD		
X20/1	10	CONNECTION WL PASSENGER COMPARTMENT / WL HEATER PLUG X	6cD		
X24	2	CONNECTION WL PASSENGER COMPARTMENT / WL HIGH MOUNTED STOP LIGHT			
X59	21	CONNECTION WL MOTOR / WL REAR	15cP		
X65	15	CONNECTION WL DOOR DRIVER'S SIDE / WL OUTSIDE MIRROR DRIVER'S SIDE	7bR		
X66	15	CONNECTION WL DOOR PASSENGER'S SIDE / WL OUTSIDE MIRROR RIGHT	7bK		
X2/1	21	CONNECTION WL PASSENGER COMPARTMENT / WL REAR	15cP		
X2/2	21	CONNECTION WL PASSENGER COMPARTMENT / WL REAR	15cP		

M-NUMBERS			
M 113	CANADA VERSION (DAYTIME RUNNING LIGHT)	M 550	HARDTOP
M 139	ADJUSTABLE SEAT HEATING, LEFT SEAT	M 553	USA / CANADA VERSION
M 193	JAPAN VERSION	M 573	AIR CONDITIONING SYSTEM
M 222	ANTI-SKID REGULATOR (ASR)	M 614	TELEPHONE PREPARATION
M 249	AUTOMATIC TRANSMISSION (TIPTRONIC)	M 618	HANDY
M 273	OUTSIDE MIRROR POWER ADJUSTABLE	M 635	PARKING ASSISTANT
M 288	HEADLIGHT CLEANING SYSTEM	M 651	POWER WINDOWS
M 340	ADJUSTABLE SEAT HEATING, RIGHT SEAT	M 659	ON-BOARD COMPUTER
M 441	RADIO PREPARATION	M 660	OBD II
M 454	CRUISE CONTROL	M 661	STRICTER EMISSIONS CONCEPT
M 465	REAR FOG LIGHT LEFT	M 680	DIGITAL SOUND PACKAGE
M 466	REAR FOG LIGHT RIGHT	M 692	CD-CHANGER
M 481	5-RANGE-TRANSMISSION		
M 490	AUDIO OPTION PACK		
M 531	CODE LOCK CENTRAL LOCKING SYSTEM		
M 534	ANTI-JOY RIDE DEVICE SYSTEM		
M 535	ANTI-JOY RIDE DEVICE SYSTEM USA		

A SPEEDO O
P IGNITION S
X IGNITION S
XE TERM.X D
15 IGNITION S
86s IGNITION S
K DIAGNOSIS
30 PERMANEN
31 GROUND
54 STOP LIGH

F

G

H

J

K

L

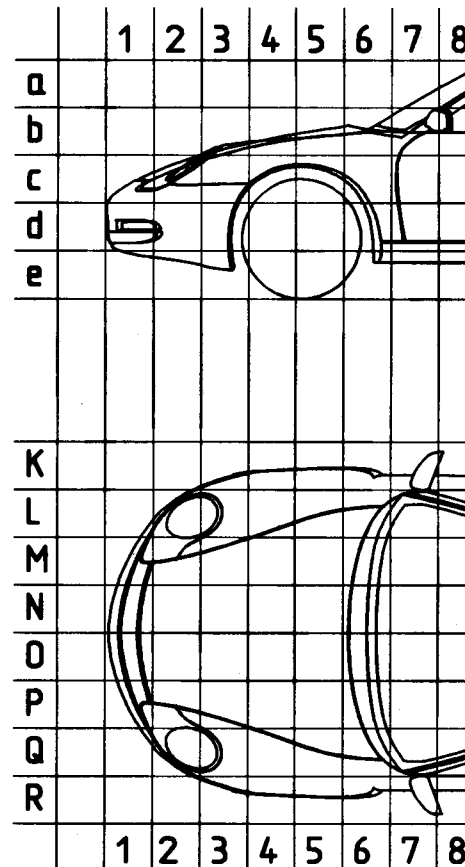
FIELD IN WIRING DIAGRAM

DEPARTMENT FRONT LEFT WHITE	D7/8, J17, D24, C48, M84, B96, J96,
BLACK	D4/5, C49,
BLACK	J8, G13, M47, L118, F124, L157,
BLUE	J103-106
BLACK	B63,
BLACK	J23-24, C56, H-K88, F137,
BLACK	N23-24, C54, H-K83, H137,
BLACK	H58
WHITE	F53, G123,
BLACK	M53, H123,
BLACK	K44
BLACK	C-D43
BLACK	A-B43
BLACK	M8,
WHITE	M7, L13, M48, H112, L158,
WHITE	C59,
WHITE	C52,
BLACK	M6, M14, J48, N113, J157,
YELLOW	F18, J46, M76, M87, G96, N96, N114,

ABBREVIATIONS

CODE	MEANING	CODE	MEANING
AAV	CARBON CANISTER SHUTOFF VALVE	HA	REAR AXLE
ABD	AUTOMATIC BRAKE DIFFERENTIAL	HF	HIGH FREQUENCY
ABS	ANTILOCK BRAKING SYSTEM	HFM	HOT-FILM MEMORY
AC	AIR CONDITIONING SYSTEM	HL	REAR LEFT
AGR	EXHAUST GAS RECIRCULATION	HR	REAR RIGHT
ASR	ANTI-SKID REGULATOR	KL	TERMINAL
ATF	OUTSIDE TEMP. SENSOR	KLS	COMBINED SIGNAL
BKV	BRAKE BOOSTER	KS	WIRING LOOP
BS	BRIDGE PLUG	KVA	FUEL CONSUMPTION
BVA	BRAKE PAD WEAR DISPLAY	LED	LIGHT-EMITTING DIODE
CAN	SERIAL DATA TRANSFER	LL	LEFT-HAND DRIVE
CLOCK	CLOCK SIGNAL	LWR	HEADLIGHT
DATA	DATA SIGNAL	ME	MOTRONIK
DF	SPEED SENSOR	MMI	ENGINE ACTUATOR
DFA	ENGINE-SPEED SENSOR OUTPUT	MMR	NOMINAL TORQUE
DG	ENGINE SPEED SENSOR	MP	GROUND POINT
DK	THROTTLE VALVE	NF	LOW FREQUENCY
DKG	THROTTLE VALVE SENSOR	NL	FOG LIGHT
DME	DIGITAL ENGINE ELECTRONICS	NR	NUMBER
EDS	ELECTRONIC DIFFERENTIAL LOCK	NSL	REAR FOG LIGHT
EKP	ELEC. FUEL PUMP	NTC	NEGATIVE TEMPERATURE COEFFICIENT
EV	FUEL INJECTOR	POV	DIAGNOSIS POINT
FDR	DYNAMIC RUNNING GEAR ADJUSTMENT	PIN	PIN
FH	POWER WINDOW	POTI	POTENTIAL
GND	GROUND	RDK	TIRE PRESSURE

WIRING DIAGRAM OUTPUT	56	LIGHT SWITCH POSITION	II
WIRING DIAGRAM SWITCH POSITION	0	56a/56b HIGH BEAM/LOW BEAM	
WIRING DIAGRAM SWITCH POSITION	I-II	57 LIGHT SWITCH POSITION	I
WIRING DIAGRAM M.X. DISCHARGING		58 LIGHT SWITCH POSITION	I-II
WIRING DIAGRAM SWITCH POSITION	II-III	58R/58L SIDE MARKER LIGHT RIGHT/LEFT	
WIRING DIAGRAM SWITCH POSITION	I-II-III	58d INSTRUMENT LIGHTS LAMPS BULB/LED	
WIRING DIAGRAM DIAGNOSIS K		31d INSTRUMENT LIGHTS MINUS POTENTIAL LED	
WIRING DIAGRAM PERMANENT POSITIVE		Ti INJECTION SIGNAL	
WIRING DIAGRAM GROUND		Tn ROTATIONAL SPEED SIGNAL	
WIRING DIAGRAM P LIGHT		61 GENERATOR D+	



F

G

H

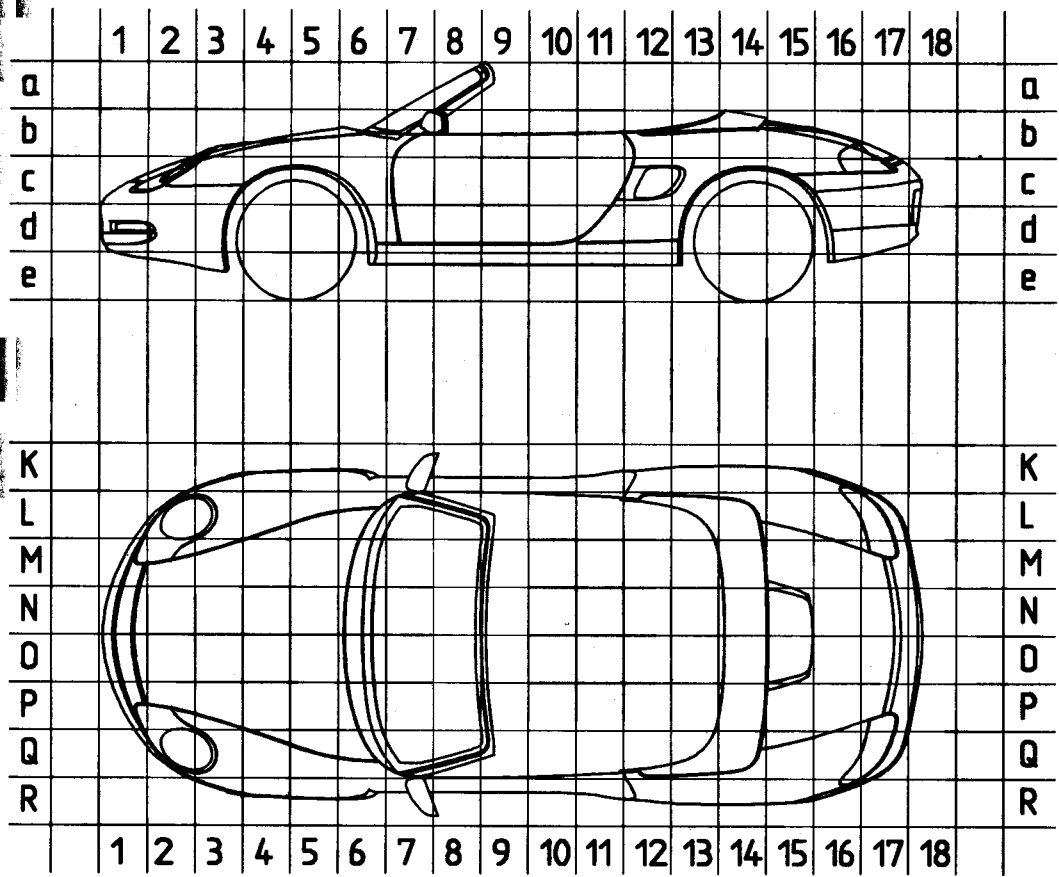
J

K

L

K L M N O P

	CODE	MEANING	CODE	MEANING
ALVE	HA	REAR AXLE	RDW	REST OF WORLD
AL	HF	HIGH FREQUENCY	RFL	BACKUP LIGHT
	HFM	HOT-FILM AIR MASS METER	RL	RIGHT-HAND DRIVE
	HL	REAR LEFT	SA	SAUDI ARABIA
	HR	REAR RIGHT	SG	CONTROL UNIT
	KL	TERMINAL	SI	FUSE
	KLS	COMBINED STEERING COLUMN SWITCH	SILA	SAFETY LAMP
	KS	WIRING LOOM	SRA	HEADLIGHT CLEANING SYSTEM
	KVA	FUEL CONSUMPTION INDICATOR	ST	PLUG
	LED	LIGHT-EMITTING DIODE	TC	TRACTION CONTROL
	LL	LEFT-HAND DRIVE	TELMUTE	RADIO MUTING CONTROL
	LWR	HEADLIGHT VERTICAL AIM CONTROL	TI	INJECTION TIME
	ME	MOTRONK WITH ELECTRON. THROTTLE CONTROL	TN	ENGINE SPEED
	MMI	ENGINE ACTUAL IMPULSE	TS	DISCONNECTING POINT
	MMR	NOMINAL TORQUE	VA	FRONT AXLE
	MP	GROUND POINT	VKD	LID F CONVERT: TOP HOUSING
	NF	LOW FREQUENCY	VL	FRONT LEFT
	NL	FOG LIGHT	VR	FRONT RIGHT
	NR	NUMBER	VS	CONNECTING POINT
	NSL	REAR FOG LIGHT	WW	WORLDWIDE
	NTC	NEGATIVE TEMPERATURE COEFFICIENT	ZK	IGNITION CIRCUIT
	PDV	DIAGNOSIS PUMP FOR TANK LEAK RECOGNITION DEVICE	ZV	CENTRAL LOCKING SYSTEM
MENT	PIN	PIN		
	POTI	POTENTIOMETER		
	RDK	TIRE PRESSURE CONTROL		



K L M N O P

Boxster MODEL 98 SHEET 20

WELDING POINT

A		B		C		D		E							
WELDING POINT IN				WL PASSENGER COMP.				WELDING POINT IN				WL PASSENGER COMP.			
CP-NO.	WIRE COLOR	DESIGNATION, FUNCTION		POSITION IN VEHICLE		FIELD IN WIRING DIAGRAM		CP-NO.	WIRE COLOR	DESIGNATION, FUNCTION		POSITION IN VEHICLE		FIELD IN WIRING DIAGRAM	
		LHD	RHD	LHD	RHD	LHD	RHD			LHD	RHD	LHD	RHD	LHD	RHD
1	BR	GROUND		7cP	7cM	D164		115	BK/YE	TERM.XE SI C 7 CONTROL WIRE		7cQ			
2	BR	GROUND		7cP	7cM	E164		119	RE/WT	IGNITION LOCK		7cP			
3								120	RE/BK	TERM.30F6 CURRENT DISTRIBUTOR		7cP			
4	BR	GROUND		7cP	7cM	G164		121	RE	GENERAL ON BOARD COMP. NETWORK		7cP			
6	BR	GROUND		7cP	7cM	H164		123	BK/YE	TERM.X IGNITION LOCK		7cP			
7	BR	GROUND		10dP	10dP	A169		124	BK	TERM.15 IGNITION LOCK		7cP			
9				7cP	7cM	G164		127	BK/BR	TERM.15 SI B 8		7dP			
16	BR	GROUND		10dM	10dM	K164		129	BK/RE	TERM.15 SI B 10		7dP			
17				7cQ	7cL	D154		130	RE/BK	TERM.30 M113 DAYTIME RUNNING LIGHT		7dP			
18	BR	GROUND		7cM	7cP	L133		131	RE/GR	TERM.30		7dP			
19				7cM	7cP	M133		132	BK	TERM.15 SI B 6		7dP			
20	WT/BK	TERM.56		7cM	7cP	L134		133	BK/YE	TERM.LX DAYTIME RUNNING LIGHT		7cP			
22				7dQ	7dL	H3		137	YE/BK	D-TELEPHONE MUTE		6cP			
29	BR/YE	PARKING BREAK CONTACT		7dQ	7dQ	E14		138	YE/BK	HANDY MUTE		6cP			
30	YE/WT	FOG LIGHT ROW		7cQ	7cQ	M13		139	YE/BK	D-TELEPHONE MUTE		6cP			
31	YE/WT	FOG LIGHT USA/JAPAN		7cQ	7cL	E5		140	YE/BK	HANDY MUTE		7cL			
32	BK/WT	TURN SIGNALS LEFT		7cQ	7cL	E5		141	BR/WT	SPEED SENSOR FL		6cP			
33	BR/GN	TURN SIGNALS RIGHT		7cQ	7cQ	K4		142	BR/BL	SPEED SENSOR FL		6cP			
34				7cQ	7cQ	L6		143	BR/WT	SPEED SENSOR FR		6cP			
37	BR/GN	BRAKE PAD WEAR DISPLAY FR		7cM	7cM	J19		144	BR/BL	SPEED SENSOR FR		6cP			
38	BR/BK	BRAKE PAD WEAR DISPLAY FR		7cM	7cM	J19		151	BL/GN/RE	LID LOCK		10dP			
39	BL	TERM.61 CHARGE INDICATOR		7cP	7cM	E15		152	BL/YE/RE	LID LOCK		10dP			
42	GR/BL	TERM.58d		7cM	7cP	M16		155	BK	LEAD CD-CHANGER					
46	BR/DR	ANALOG GROUND		7cP	7cM	F14		156	BR	LEAD CD-CHANGER					
49	BK/YE	TERM.X		7cP	7cL	C27		157	BR/BL	AUDIO OPTION PACK RADIO LF-WIRE					
53	BR/BK	BRAKE PAD WEAR DISPLAY FL CLUSTER		7cQ	7cQ	H19		161	BL/RE	LHD CU MEMORY LEFT		8eP			
54	BR/GN	BRAKE PAD WEAR DISPLAY FL CLUSTER		7cQ	7cQ	H19		162	WT/YE	LHD CU MEMORY LEFT		8eP			
55	BR	BRAKE PAD WEAR DISPLAY FL		7cQ	7cQ	G19		163	WT	LHD CU MEMORY LEFT		8eP			
56	BR	GROUND WHEEL CARRIER FR		7cM	7cM	H19		164	BL/RE	RHD CU MEMORY RIGHT		XX			
61	GR/GN	REAR WINDOW DEFOGGER		7cQ	7cL	F57		165	WT/YE	RHD CU MEMORY RIGHT		XX			
65	BK/GR	TERM.87 RELAY ACTUATION HEATING		7cM	7cP	M46		166	WT	RHD CU MEMORY RIGHT		XX			
66				7dQ	9eQ	J84									
70	BR/GN/BK	COMFORT OPEN		XX	7cL	H84									
71	BR/GN	DOOR CONTACT		XX	7cL	J84									
72	GR/WT	ALARM SIREN		7dQ	7dQ	E83									
73	BR/YE	DOOR LIGHT		8eQ	9eQ	K87									
74	BR/GN/WT	DOOR CONTACT		7cR	XX	H86									
75	BL/WT/BR	DOOR LOCKED		10eQ	XX	H85									
76	BR/RE	DOOR LOCK UP		10eQ	9eQ	H86									
77	BR/WT	DOOR LOCK CLOSE		7cP	9eQ	H84									
81	GN/DR	DOOR LOCK CLS MOTOR		7dQ	9eQ	J85									
82	BL/YE	DOOR LOCK CLS MOTOR		7dQ	9eQ	J85									
88	WT/BR	ESQ, RL CLUSTER MFI + DI		6cB	6cB	F96									
90	DR/BK	K2 - LEAD		6cQ	6cQ	N118									
91	DR/BK	K2 - LEAD		6cQ	6cQ	N118									
100	RE/BL	TERM.86 RELAY ELEC.FUEL PUMP		7dQ	7cL	N114									
104	DR/BK	K1 - LEAD		9eR	9eR	P119									
107	VI/GN	TN-SIGNAL		7dQ	7cL	D117									
108	GN/RE	CU AIRBAG CRASH OUTPUT		8eQ	9eR	M126									
109	VI/GN	TN-SIGNAL		7dQ	7cL	P117									
110	DR/RE	DIAGNOSE AND CONTROL CLUSTER		7cP	7cM	C126									
113	RE/GN	TERM.30 TELEPHONE		5cP	5cP	M136									

WELDING POINT IN WL FRONT END LEFT

CP-NO.	WIRE COLOR	DESIGNATION, FUNCTION	POSITION IN VEHICLE	FIELD IN WIRING DIAGRAM
			LHD	RHD
1				
2	BR	GROUND		4cP
3				
4				
5				
6				
7	BK/YE	+ TWO-TONE HORNS		10dP
8	BR	- TWO-TONE HORNS		10dP
9				
10				

WELDING POINT IN WL FRONT END RIGHT

CP-NO.	WIRE COLOR	DESIGNATION, FUNCTION	POSITION IN VEHICLE	FIELD IN WIRING DIAGRAM
			LHD	RHD
1				
2	BR	GROUND		4cP
3				
4				
5				
6				
7				
8				
9				
10				

F

G

H

J

K

L

COMP.

WELDING POINT IN WL REAR

WELDING POINT IN WL MOTOR

POSITION IN VEHICLE		FIELD IN WRING DIAGRAM
LHD	RHD	
7cQ	7cL	G152
7cP	7cM	G158
7cP	7cM	E157
7cP	7cM	D156
7cP	7cM	F157
7cP	7cL	F155
7dQ	7cL	D152
7dQ	7cL	D151
7dQ	XX	E156
7dQ	7cL	L154
7dQ	7cL	D153
7cP	7cM	F157
6cB	6cB	L136
6cB	7cL	J137
6cB	6cB	L135
7cL	7cL	J136
6cP	6cP	F98/N98
6cP	6cP	F97/N97
6cP	6cP	F98/N98
6cP	6cP	F97/N97
10eQ	10eQ	N83
10eQ	10eQ	N83
		B133/F133
		B134/F134
		F135
8eQ	XX	D142
8eQ	XX	D144
8eQ	XX	C144
XX	9eL	K142
XX	9eL	J144
XX	9eL	J144

CP-NO.	WIRE COLOR	DESIGNATION, FUNCTION	POSITION IN VEHICLE		FIELD IN WRING DIAGRAM
			LHD	RHD	
1	BR	GROUND	15cP	15cP	D169
10					
11					
12					
13	BK/OR	STOP LIGHT	15cP	15cP	N8
14					
15					
16					
20					
21					
22	BK	TERM.87 REL. IGNITION /OXYGEN SENSOR	15cQ	15cQ	J113
23					
24					
25	RE/GN	TERM.30 RELAY MFI+DI	15cQ	15cQ	L114
26	RE/BL	TERM.87 RELAY MFI+DI	15cQ	15cQ	L114
27					
28					
29					
30					
31					
32					
40					
41					
42					
43	BR/GN	BRAKE PAD WEAR DISPLAY RL	15 cQ	15 cQ	F19
44	BR	BR.PAD W.DSP. RL GROUND WHEEL CARRIER	15 cQ	15 cQ	F19
45					
46					
47					
48					
49					
50					

CP-NO.	WIRE COLOR	DESIGNATION, FUNCTION	POSITION IN VEHICLE		FIELD IN WRING DIAGRAM
			LHD	RHD	
1	BL/RE	GROUND OXYGEN SENSOR			
2	BK	TERM.15 OXYGEN SENSOR			
3	BR/PK	GROUND SENSORS			
4	BR	GROUND SHIELD			
5	BR	GROUND IGNITION CYL.1-3 GP 12			
6	BR	GROUND IGNITION CYL.4-6 GP 11			
7					
8	RE/VI	SV-SUPPLY			
9	RE/BL	VALVE SUPPLY			
10	BK	TERM.15E FUEL INJECTORS			
11	GR/GN	SUPPLY SECONDARY AIR PUMP			
12					
13					
14	BR	GROUND KNOCK SENSORS			
15					
16					
17					
18	BK/BL	TERM.15 CU TIPTRONIC			
19					
20	BR	TERM.31 CU TIPTRONIC			
21	PK/BK	SWITCH LIFTING WIRE 1			
22	BL/YE	SWITCH LIFTING WIRE 2			
23	BL/WT	SWITCH LIFTING WIRE 3			
24	BL/BK	SWITCH LIFTING WIRE 4			
25					
26					
27	YE/BL	SUPPLY SOLENOID VALVE			
28					
29					
30					

FT

WELDING POINT IN WL DOOR DRIVER'S SIDE

POSITION IN VEHICLE		FIELD IN WRING DIAGRAM
LHD	RHD	
4cQ	4cQ	B164
1dM	1dM	D22
1dM	1dM	E22

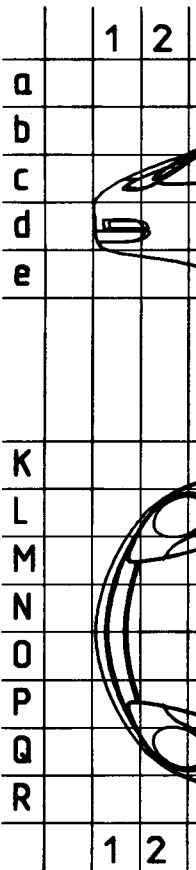
CP-NO.	WIRE COLOR	DESIGNATION, FUNCTION	POSITION IN VEHICLE		FIELD IN WRING DIAGRAM
			LHD	RHD	
1					
2	BR	GROUND	9cR	9cK	F89
3	BR/GN	DOOR CONTACT	9cR	9cK	F89
4	BL/WT/BR	DOOR LOCKED	9cR	9cK	F89
5					
6					
7					
8					
9					
10					

HT

WELDING POINT IN WL DOOR PASSENGER'S SIDE

POSITION IN VEHICLE		FIELD IN WRING DIAGRAM
LHD	RHD	
4cL	4cL	A164

CP-NO.	WIRE COLOR	DESIGNATION, FUNCTION	POSITION IN VEHICLE		FIELD IN WRING DIAGRAM
			LHD	RHD	
1					
2	BR	GROUND	9cK	9cR	F82
3	BR/GN	DOOR CONTACT	9cK	9cR	F82
4	BL/WT/BR	DOOR LOCKED	9cK	9cR	F82
5					
6					
7					
8					
9					
10					



F

G

H

J

K

L

K

L

M

N

O

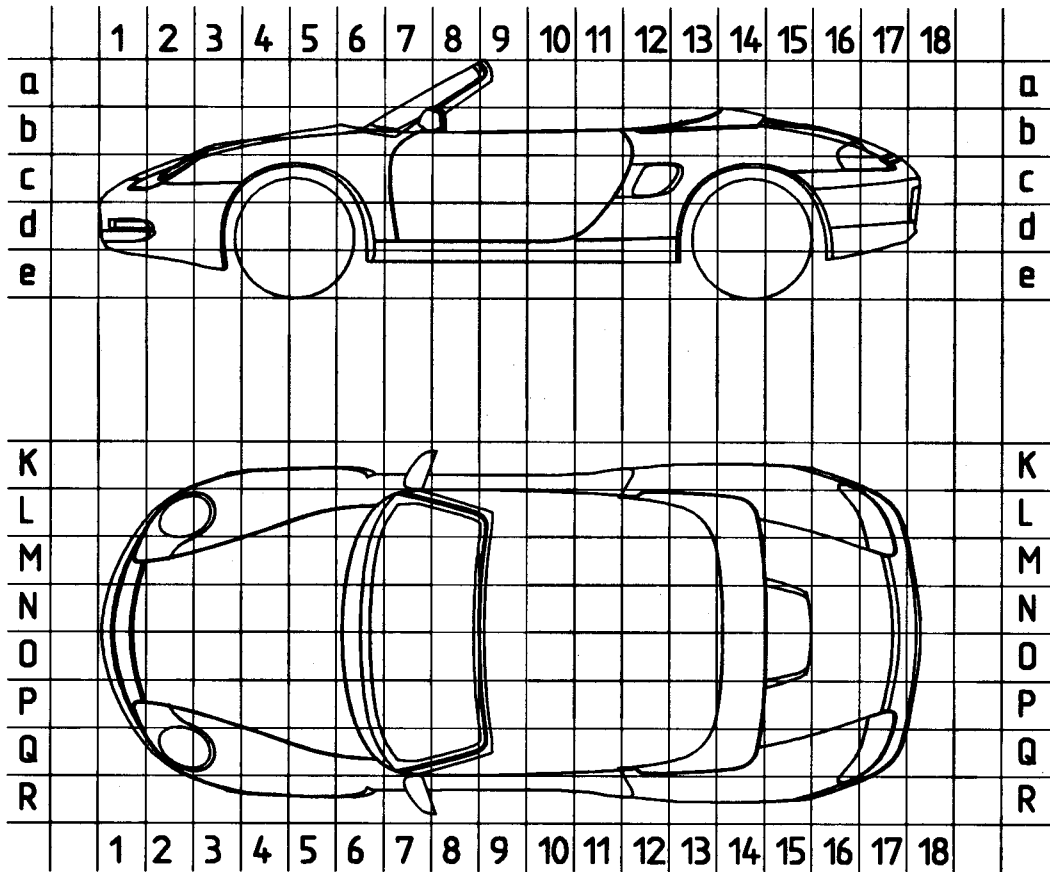
P

WELDING POINT IN WL MOTOR

WELDING POINT IN WL MOTOR

CP-NO.	WIRE COLOR	DESIGNATION, FUNCTION	POSITION IN VEHICLE		FIELD IN WIRING DIAGRAM
			LHD	RHD	
1	BL/RE	GROUND OXYGEN SENSOR	14cN	14cN	H113
2	BK	TERM.15 OXYGEN SENSOR	14cN	14cN	F112
3	BR/PK	GROUND SENSORS	14cN	14cN	C118
4	BR	GROUND SHIELD	14cN	14cN	E112
5	BR	GROUND IGNITION CYL.1-3 GP 12	14cN	14cN	B111
6	BR	GROUND IGNITION CYL.4-6 GP 11	14cN	14cN	B114
7					
8	RE/VI	SV-SUPPLY	14cN	14cN	C119
9	RE/BL	VALVE SUPPLY	14cN	14cN	J119
10	BK	TERM.15E FUEL INJECTORS	14cD	14cD	H119
11	GR/GN	SUPPLY SECONDARY AIR PUMP	14cD	14cD	G114
12					
13					
14	BR	GROUND KNOCK SENSORS	14cN	14cN	C117
15					
16					
17					
18	BK/BL	TERM.15 CU TIPTRONIC	15cM	15cM	G103
19					
20	BR	TERM.31 CU TIPTRONIC	15cM	15cM	E104
21	PK/BK	SWITCH LIFTING WIRE 1	13cM	13cM	E105
22	BL/YE	SWITCH LIFTING WIRE 2	13cM	13cM	E105
23	BL/WT	SWITCH LIFTING WIRE 3	13cM	13cM	E105
24	BL/BK	SWITCH LIFTING WIRE 4	13cM	13cM	E105
25					
26					
27	YE/BL	SUPPLY SOLENOID VALVE			C106
28					
29					
30					

CP-NO.	WIRE COLOR	DESIGNATION, FUNCTION	POSITION IN VEHICLE		FIELD IN WIRING DIAGRAM
			LHD	RHD	
31	RE/WT	OXYGEN SENSOR UPSTR.EAT.	16cN	16cN	G113
32	BR/OR	OIL LEVEL SENSOR	16cN	16cN	K14
33					
34					
35					
36					
37					
38					
39					
40	RE/GR	HALL SENSOR	16cN	16cN	C116
41					
42					
43					



K

L

M

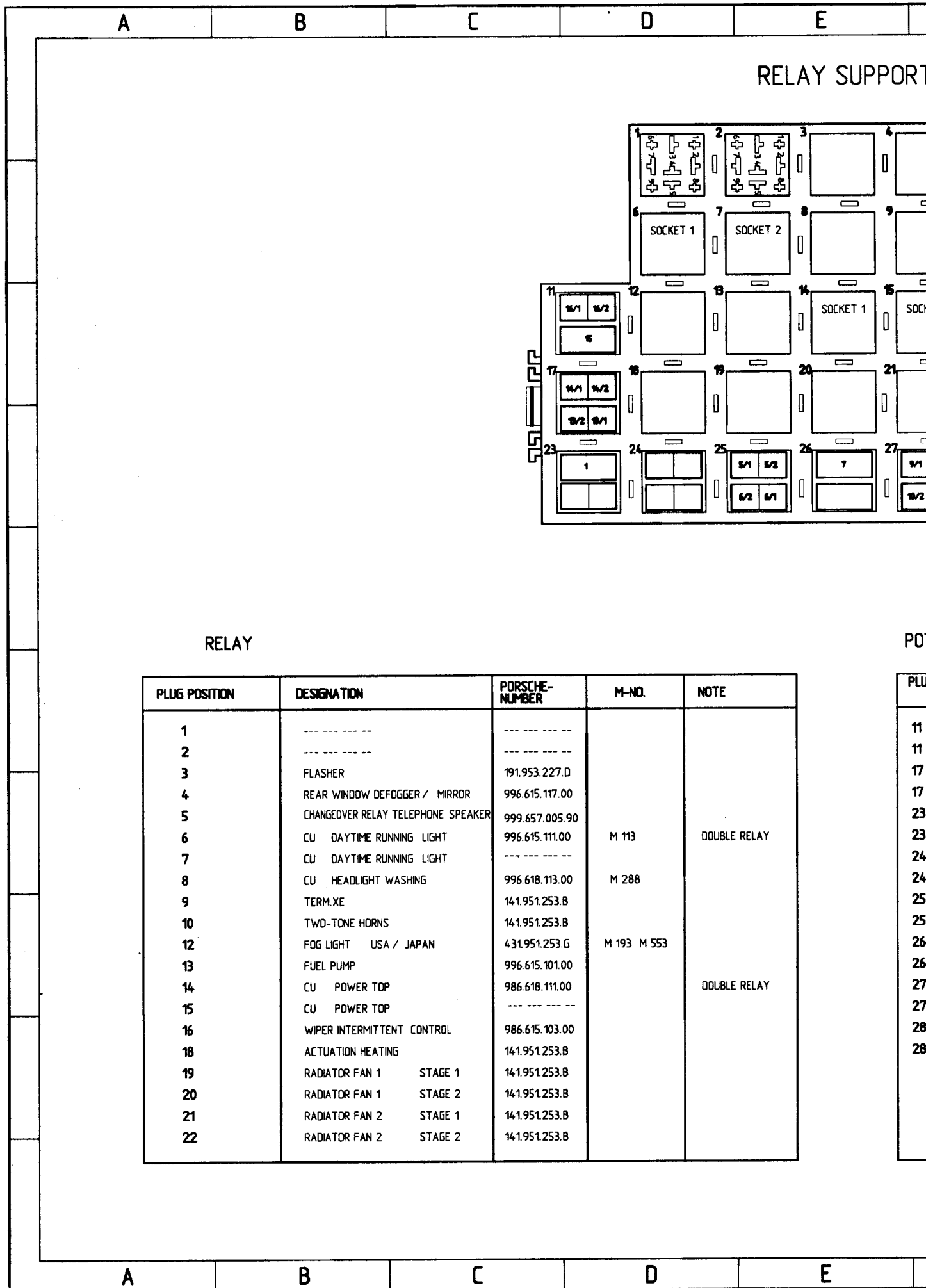
N

O

P

Boxster MODEL 98 SHEET 21

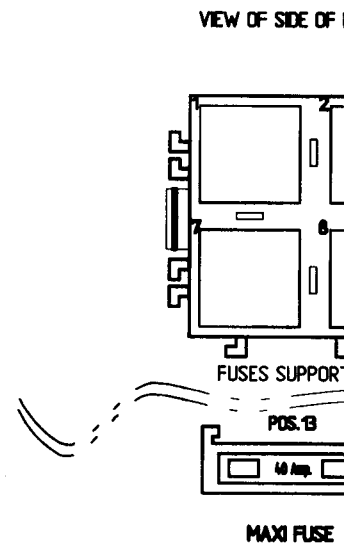
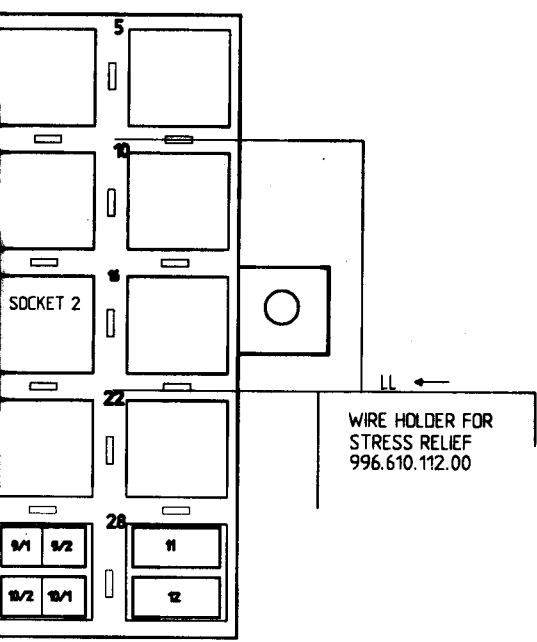
RELAY SUPPORT 1 RELAY SUPPORT 2



RELAY

PLUG POSITION	DESIGNATION	PORSCHE-NUMBER	M-NO.	NOTE
1	-----	-----		
2	-----	-----		
3	FLASHER	191.953.227.D		
4	REAR WINDOW DEFROGGER / MIRROR	996.615.117.00		
5	CHANGEDOVER RELAY TELEPHONE SPEAKER	999.657.005.90		
6	CU DAYTIME RUNNING LIGHT	996.615.111.00	M 113	DOUBLE RELAY
7	CU DAYTIME RUNNING LIGHT	-----		
8	CU HEADLIGHT WASHING	996.618.113.00	M 288	
9	TERM.XE	141.951.253.B		
10	TWO-TONE HORNS	141.951.253.B		
12	FOG LIGHT USA / JAPAN	431.951.253.G	M 193 M 553	
13	FUEL PUMP	996.615.101.00		
14	CU POWER TOP	986.618.111.00		DOUBLE RELAY
15	CU POWER TOP	-----		
16	WIPER INTERMITTENT CONTROL	986.615.103.00		
18	ACTUATION HEATING	141.951.253.B		
19	RADIATOR FAN 1 STAGE 1	141.951.253.B		
20	RADIATOR FAN 1 STAGE 2	141.951.253.B		
21	RADIATOR FAN 2 STAGE 1	141.951.253.B		
22	RADIATOR FAN 2 STAGE 2	141.951.253.B		

PORT 1



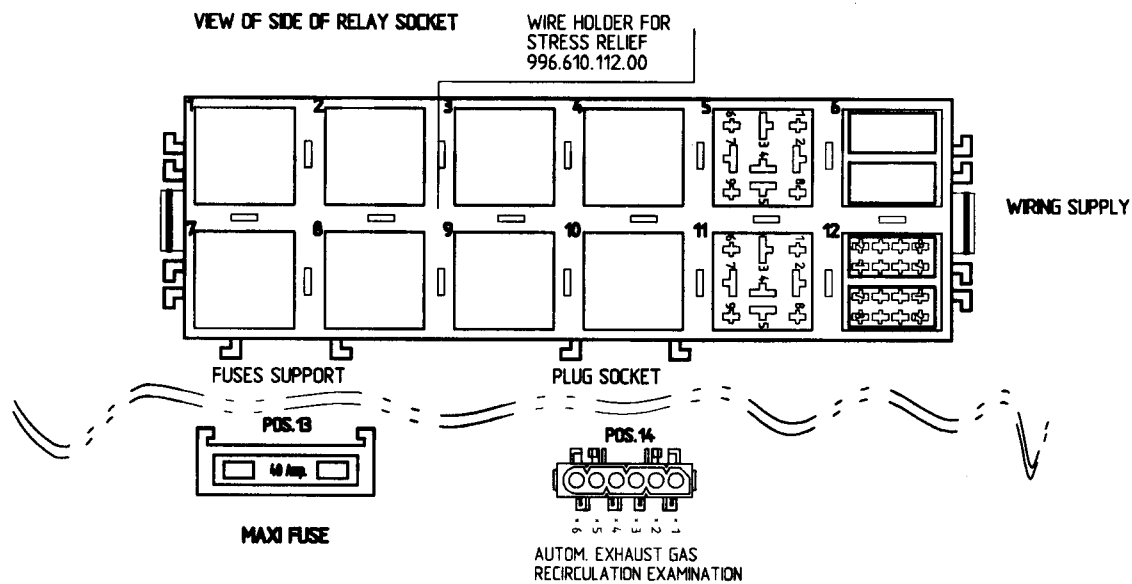
POTENTIAL DISTRIBUTOR BRIDGE PLUG

PLUG POSITION NAME	COLOR	POTENTIAL	NAME	COLOR	POTENTIAL	NOTE
11 BS. 16/1	BR	TERM.31 SI B 8 GP 4	BS. 16/2	BK/DR	TERM.15 SI B 5	8 PINS
11 BS. 15	GR/RE	TERM.58d LED				8 PINS
17 BS. 13/1	DR	TERM.86S SI E 1	BS. 13/2	BK/DR	TERM.15	ONLY 996
17 BS. 14/1	BK/YE	TERM.X WIPER	BS. 14/2	BK	TERM.15 STOP LIGHT FUSE INPUT	ONLY 996
23 BS. 1	GR/PK	TERM. SPEEDOMETER A				8 PINS
23 BS. 2/1	NOT USED		BS. 2/2	NOT USED		
24 BS. 3/1	NOT USED		BS. 3/2	NOT USED		
24 BS. 4/1	NOT USED		BS. 4/2	NOT USED		
25 BS. 5/1	WT	TERM.56a	BS. 5/2	BK/DR	TERM.54 STOP LIGHT	
25 BS. 6/1	NOT USED		BS. 6/2	GR/BL/BR	TERM.31d LED	
26 BS. 7	RE/BK	CONSUMER SWITCHED OFF				8 PINS
26 BS. 8	OR/BL	LEAD				8 PINS
27 BS. 9/1	RE/BR	TERM.30 CLS	BS. 9/2	RE/BK	TERM.30 SI B 1	
27 BS. 10/1	GR	TERM.58 SI A 5	BS. 10/2	NOT USED		
28 BS. 11	BK/BR	TERM.15				
28 BS. 12	BR	TERM.31 GP 3				8 PINS

RELAY

PLUG POSITION NAME
1
2
3
4
5
7
8
9
10
11
6 BS. 20/1
12
13
14

RELAY SUPPORT 2

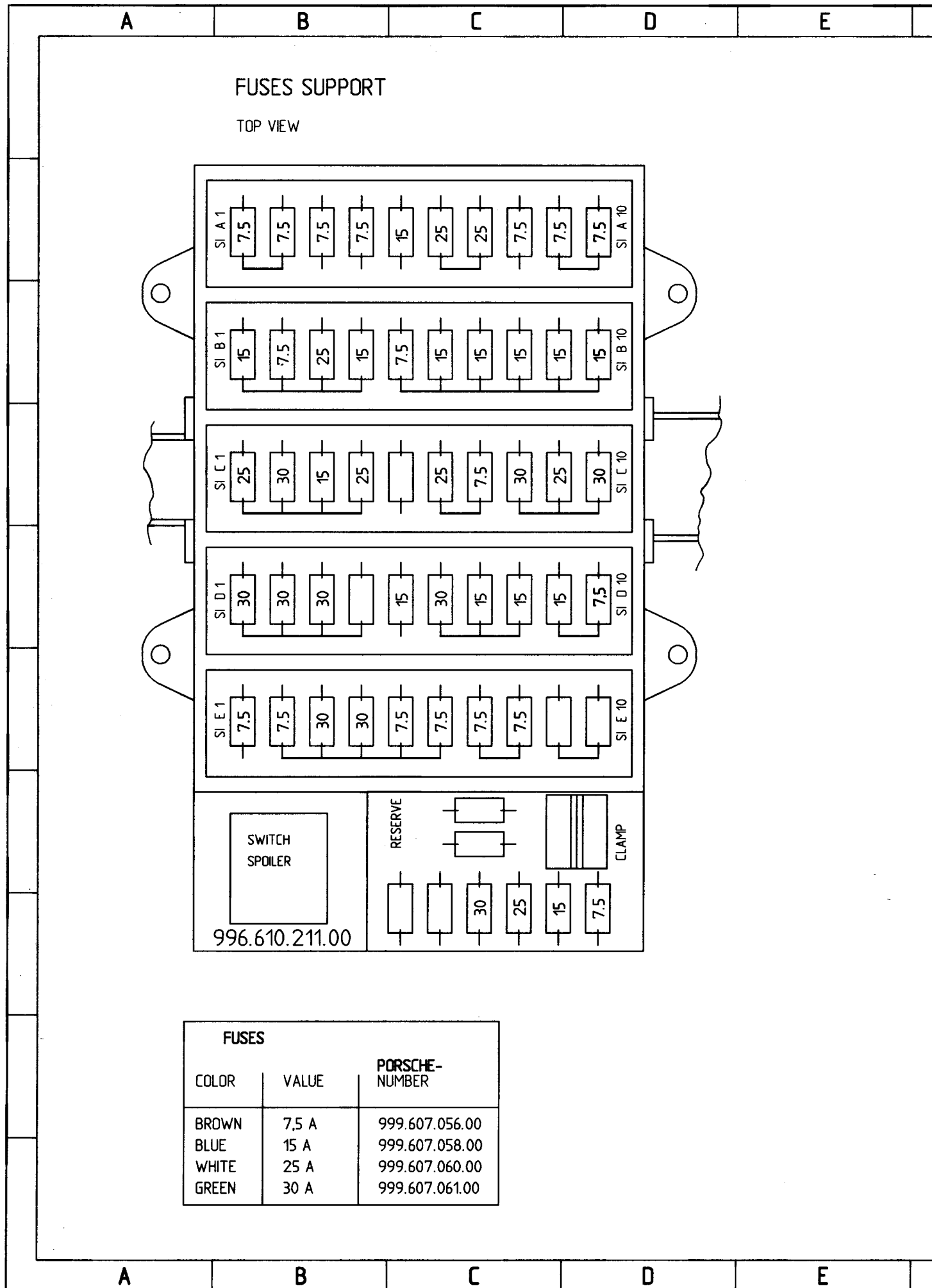


RELAY POTENTIAL DISTRIBUTOR BRIDGE PLUG

PLUG POSITION NAME	DESIGNATION	PORSCHE-NUMBER	M-NO.	NOTE
1	RELAY MFI+DI	14.1.951.253.B		
2	IGNITION / OXYGEN SENSOR	14.1.951.253.B		
3	SPOILER EXTENSION	996.615.102.00		
4	AIR COMPRESSOR	964.615.215.00	M 573	
5	-----	-----		
7	START LOCK	996.615.110.00	M009	
	ENGINE COMPARTMENT CLEANER FAN	14.1.951.253.B	M008	
8	SPOILER RETRACTION	14.1.951.253.B		
9	SECONDARY AIR PUMP	996.615.102.00		
10		993.615.115.00	M 661	
11	-----	-----		
6 BS. 20/1	BK/BL BACKUP LIGHT			4-PIN
12	-----	-----		
13	MAXI FUSE FOR SECONDARY AIR PUMP		M 661	40 AMP.
14	TEST PLUG FOR AUTOM. EXHAUST GAS RECIRCULATION EXAMINATION			1 SIGNAL 2 TERM.31 GROUND 6 TN-SIGNAL

Boxster MODEL 98 SHEET 22

FUSES



FUSES		
COLOR	VALUE	PORSCHE-NUMBER
BROWN	7,5 A	999.607.056.00
BLUE	15 A	999.607.058.00
WHITE	25 A	999.607.060.00
GREEN	30 A	999.607.061.00

F

G

H

J

K

L

FUSE HOLDER A

FUSE			
NO.	VALUE	DESIGNATION	M-NO.
SI A 1	7,5 A	HIGH BEAM RIGHT	
SI A 2	7,5 A	HIGH BEAM LEFT	
SI A 3	7,5 A	SIDE MARKER LIGHT RIGHT	
SI A 4	7,5 A	SIDE MARKER LIGHT LEFT	
SI A 5	15 A	LICENSE PLATE LIGHTS INSTRUMENT LIGHTS	
SI A 6	25 A	SEAT HEATER	M139/M340
SI A 7	25 A	FOG LIGHT REAR FOG LIGHT	
SI A 8	7,5 A	LICENSE PLATE LIGHTS CANADA	M113
SI A 9	7,5 A	LOW BEAM RIGHT	
SI A 10	7,5 A	LOW BEAM LEFT	

FUSE HOLL

FUSE	
NO.	VAL
SI B 1	15 A
SI B 2	7,5 A
SI B 3	25 A
SI B 4	15 A
SI B 5	7,5 A
SI B 6	15 A
SI B 7	15 A
SI B 8	15 A
SI B 9	15 A
SI B 10	15 A

FUSE HOLDER C

FUSE			
NO.	VALUE	DESIGNATION	M-NO.
SI C 1	25 A	RELAY MFI-DI	
SI C 2	30 A	RELAY IGNITION OXYGEN SENSOR	
SI C 3	15 A	CU CL/ALARM POWER WINDOW	
SI C 4	25 A	RELAY FUEL PUMP	
SI C 5			
SI C 6	25 A	WIPER	
SI C 7	7,5 A	TERM.X CONTROL WIRES	
SI C 8	30 A	RADIATOR FAN 2	
SI C 9	25 A	HEADLIGHT CLEANING SYSTEM	M288
SI C 10	30 A	RADIATOR FAN 1	

FUSE HOLL

FUSE	
NO.	VAL
SI D 1	30 A
SI D 2	30 A
SI D 3	30 A
SI D 4	
SI D 5	15 A
SI D 6	30 A
SI D 7	15 A
SI D 8	15 A
SI D 9	15 A
SI D 10	7,5 A

FUSE HOLDER E

FUSE			
NO.	VALUE	DESIGNATION	M-NO.
SI E 1	7,5 A	TERM.86S CU CL/ALARM RADIO CLUSTER	
SI E 2	7,5 A	CU MEMORY	M537 / M538
SI E 3	30 A	BACKREST CONTROL SEAT LEFT CU MEMORY	M537
SI E 4	30 A	BACKREST CONTROL SEAT RIGHT CU MEMORY	M538
SI E 5	7,5 A	INFOSYSTEM	M662
SI E 6	7,5 A	TERM.30 TELEPHONE / HANDY CU NAVIAGTION	M614 / M618
SI E 7	7,5 A	AIR CONDITIONING SYSTEM	M573
SI E 8	7,5 A	TERM.15TELEPHONE/ HANDY / INFOSYSTEM	M614 / M618 / M662
SI E 9			
SI E 10			M249

FUSE HOLL

FUSE	
NO.	VAL
M F 1/1	40 A

F

G

H

J

K

L

FUSE HOLDER B

FUZE			
NO.	VALUE	DESIGNATION	M-NO.
SI B 1	15 A	INSTRUMENT CLUSTER TIPTRONIC BUTTON ASR E/A DIAGNOSIS	
SI B 2	7,5 A	RADIO	
SI B 3	25 A	TWO-TONE HORNS	
SI B 4	15 A	ENGINE COMPARTMENT CLEANER FAN	
SI B 5	7,5 A	BACKUP LIGHT CU MEMORY MIRROR ADJUSTMENT	
SI B 6	15 A	CU POWER TOP TURN SIGNALS PW TIPP	
SI B 7	15 A	STOP LIGHT CRUISE CONTROL	
SI B 8	15 A	CU CL/ALARM CU DME CU TIPTRONIC	
SI B 9	15 A	CU ABS TRACTION CONTROL	
SI B 10	15 A	INSTRUMENT CLUSTER DIAGNOSIS	

FUSE HOLDER D

FUZE			
NO.	VALUE	DESIGNATION	M-NO.
SI D 1	30 A	POWER WINDOW	
SI D 2	30 A	REAR WINDOW / MIRROR DEFOGGER	
SI D 3	30 A	CONVERTIBLE TOP DRIVE	
SI D 4			
SI D 5	15 A	CIGAR LIGHTER	
SI D 6	30 A	RELAY HEATER	
SI D 7	15 A	HAZARD-WARNING LIGHT SWITCH CU DME	
SI D 8	15 A	SPOILER EXTEND	
SI D 9	15 A	AUDIO OPTION PACK	M490
SI D 10	7,5 A	MOUNTING POINT FOR RETROFIT WARNING MAXIMUM OF 5 A	

FUSE HOLDER VARIOUS

FUZE			
NO.	VALUE	DESIGNATION	M-NO.
M F 1/1	40 A	MAXI FUSE SECONDARY AIR PUMP	M 661
		ON RELAY SUPPORT 2	LITTLE FUSE 999.607.011.00

Wiring Diagram Boxster Model 99

	Coordinates	
Sheet 1	1 - 10	Lights RoW
Sheet 2	1 - 10	Lights USA/Canada
Sheet 3	11 - 20	Instrument Cluster, Sensor
Sheet 4	21 - 30	Wipe- and Wash Cleaners, Two-Tone Horns, Power Window
Sheet 5	41 - 50	Engine Cooling, Heating, Air Conditioning System
Sheet 6	51 - 60	Mirror Adjustment, Seat Heating, Rear Window Defogger
Sheet 7	61 - 70	Convertible Top Drive
Sheet 8	71 - 80	Spoiler Extend, Parking Assistant
Sheet 9	81 - 90	Central Locks, Alarm System, Interior Monitoring
Sheet 10	91 - 100	ABS
Sheet 11	101 - 110	Tiptronic
Sheet 12	111 - 120	DME, Motorelectronic
Sheet 13	121 - 130	Cruise Control, Airbag
Sheet 14	131 - 140	Radio, Telephone
Sheet 14A	131 - 140	PCM
Sheet 15	141 - 150	Seat- and Mirror Memory
Sheet 16	151 - 160	Power Supply
Sheet 17	161 - 170	Ground Points
Sheet 18		Construction Components
Sheet 19		Connectors and Abbreviations
Sheet 20		Welding Point
Sheet 21		Relay Support
Sheet 22		Fuses

Wiring Diagram Boxster Model 99

The wiring diagram consists of individual wiring diagrams and overview sheets for ground points, components, plugs, connector points, relay holders and fuses. The individual wiring diagrams are divided up into coordinate fields.

The earth/ground points are identified by "GP" and their location is shown in a vehicle diagram.

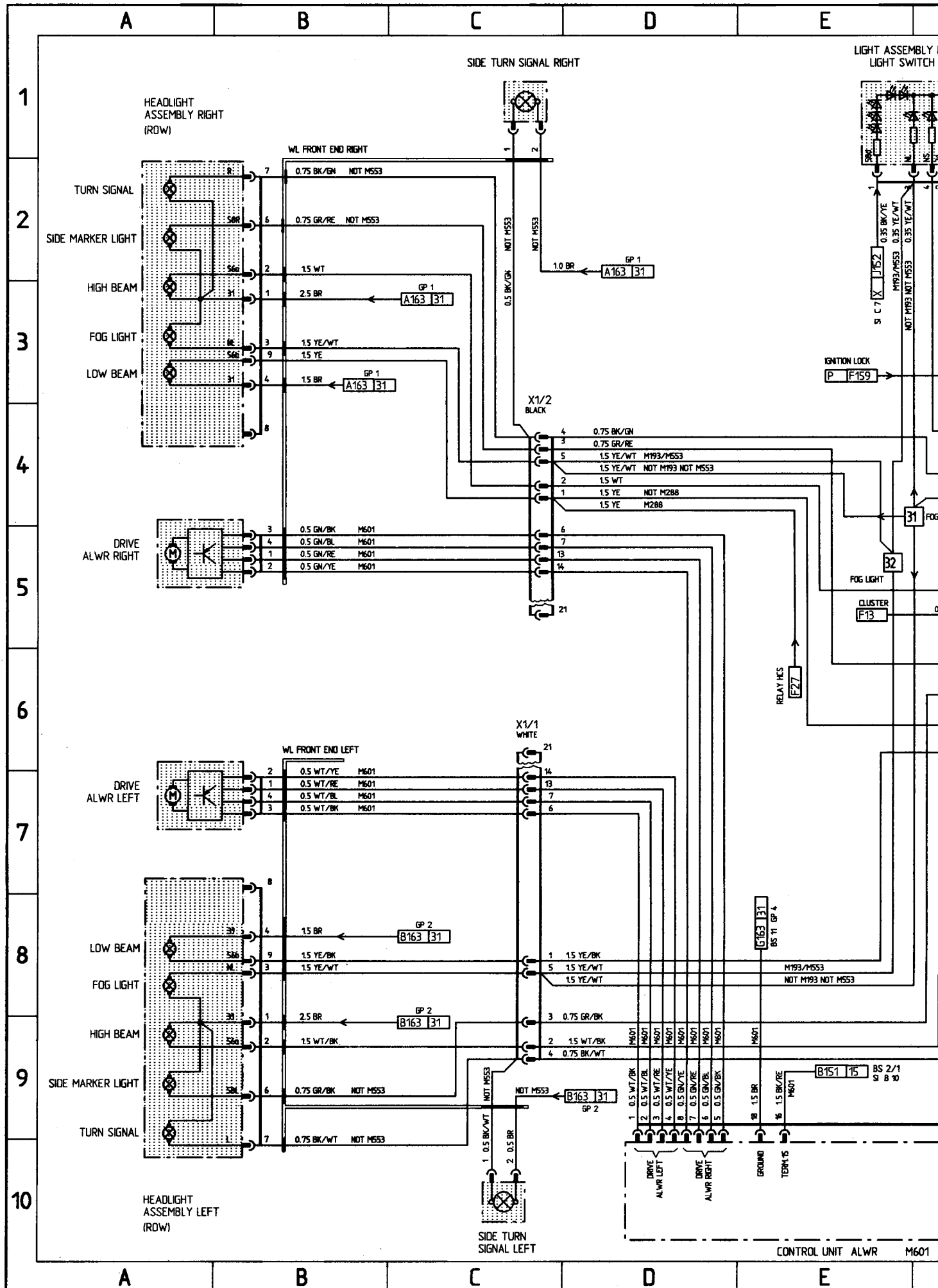
The connectors are identified by an X and a number.

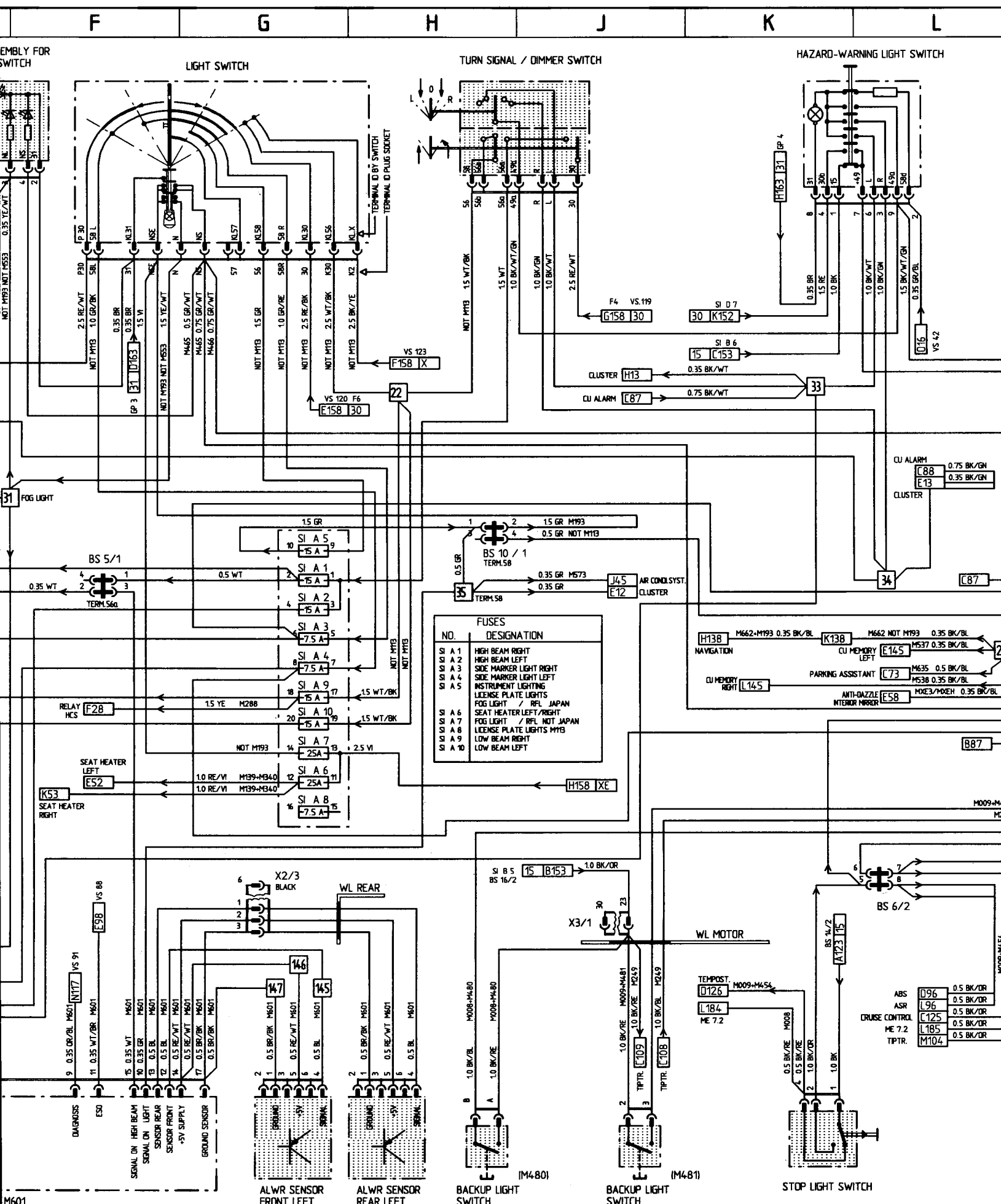
Wherever wires branch to another page, the coordinates and, in certain cases, the terminal markings are indicated.

The feed wire of wire joints and bridge connectors is indicated by an arrow.

Boxster MODEL 99 SHEET 1

LIGHTS ROW





NO.	DESIGNATION
SI A 1	HIGH BEAM RIGHT
SI A 2	HIGH BEAM LEFT
SI A 3	SIDE MARKER LIGHT RIGHT
SI A 4	SIDE MARKER LIGHT LEFT
SI A 5	INSTRUMENT LIGHTING
SI A 6	LICENSE PLATE LIGHTS
SI A 7	FOG LIGHT / RFL JAPAN
SI A 8	SEAT HEATER LEFT/RIGHT
SI A 9	FOG LIGHT / RFL NOT JAPAN
SI A 10	LICENSE PLATE LIGHTS MYB
SI A 11	LOW BEAM RIGHT
SI A 12	LOW BEAM LEFT

BL = BLUE BR = BROWN YE = YELLOW GN = GREEN GR = GREY PK = PINK RE = RED BK = BLACK VI = VIOLET

K L M N O P

HAZARD-WARNING LIGHT SWITCH

RELAY SUPPORT COCKPIT

FLASHER

TAIL LIGHT ASSEMBLY RIGHT

TURN SIGNAL

SIDE MARKER LIGHT

STOP LIGHT

BACKUP LIGHT

REAR FOG LIGHT

LICENSE PLATE LIGHTS RIGHT

DP LICENSE PLATE LIGHTS

WL LICENSE PLATE LIGHTS

LICENSE PLATE LIGHTS LEFT

REAR FOG LIGHT

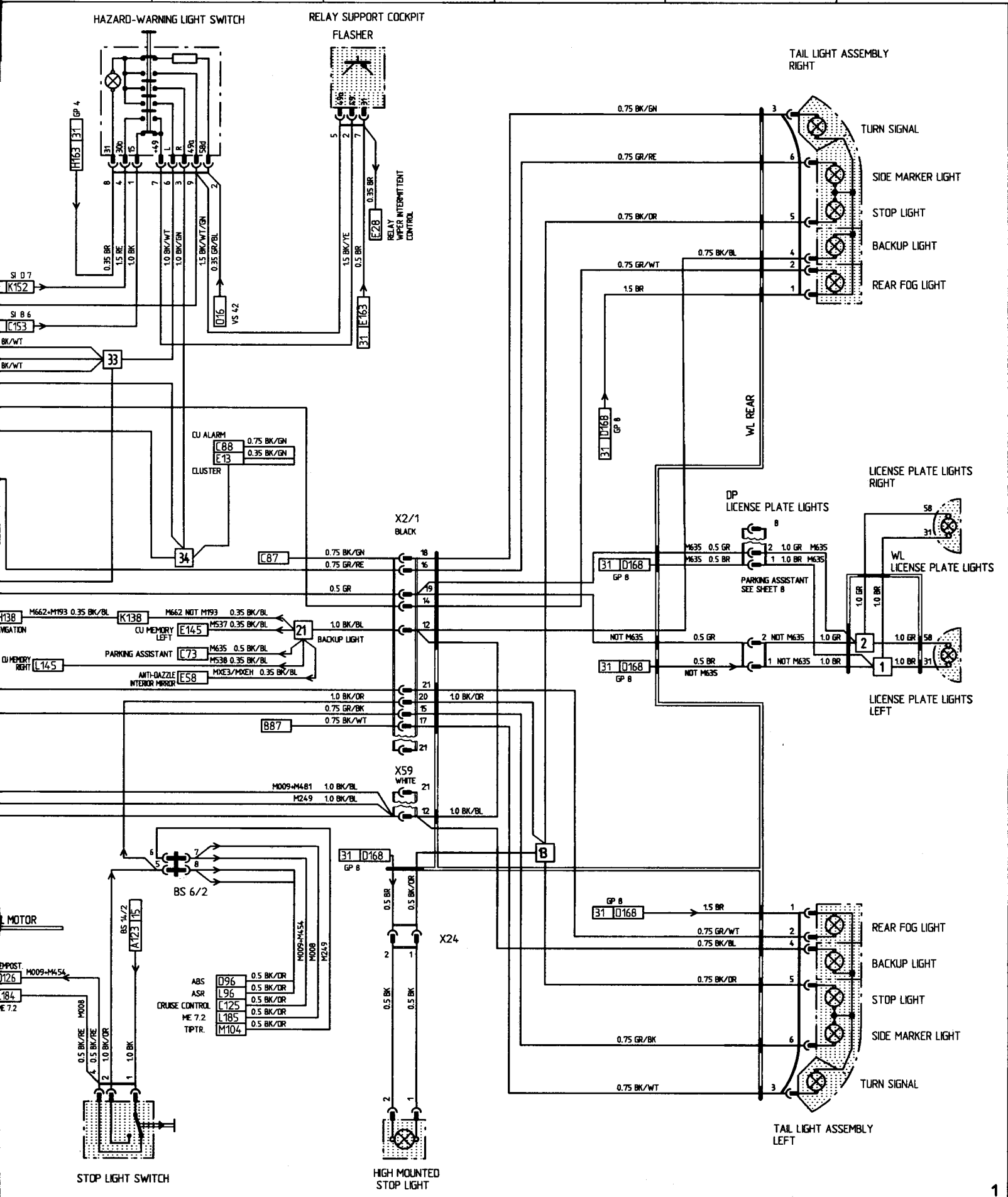
BACKUP LIGHT

STOP LIGHT

SIDE MARKER LIGHT

TURN SIGNAL

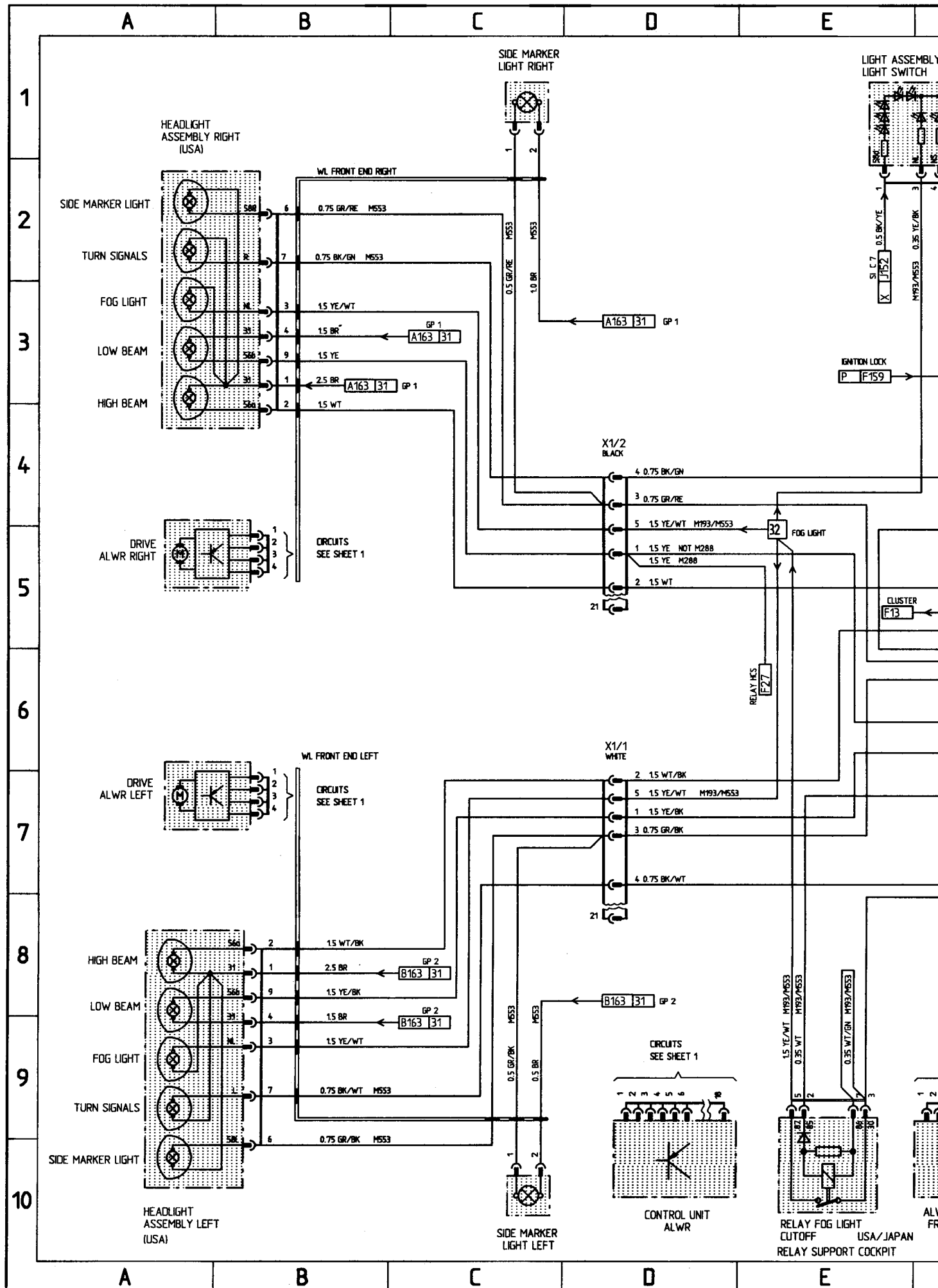
TAIL LIGHT ASSEMBLY LEFT

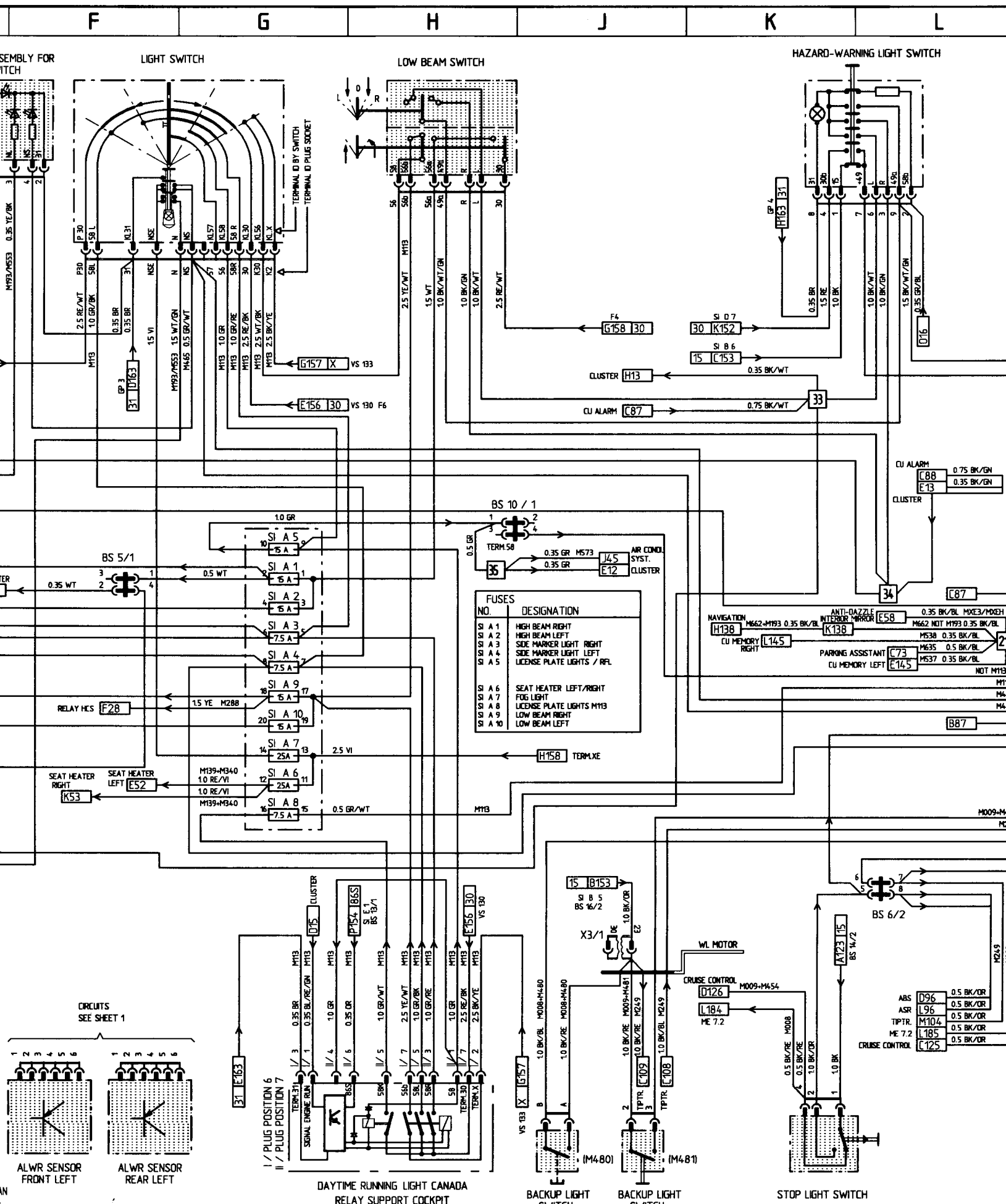


K L M N O P

Boxster MODEL 99 SHEET 2

LIGHTS USA / CANADA





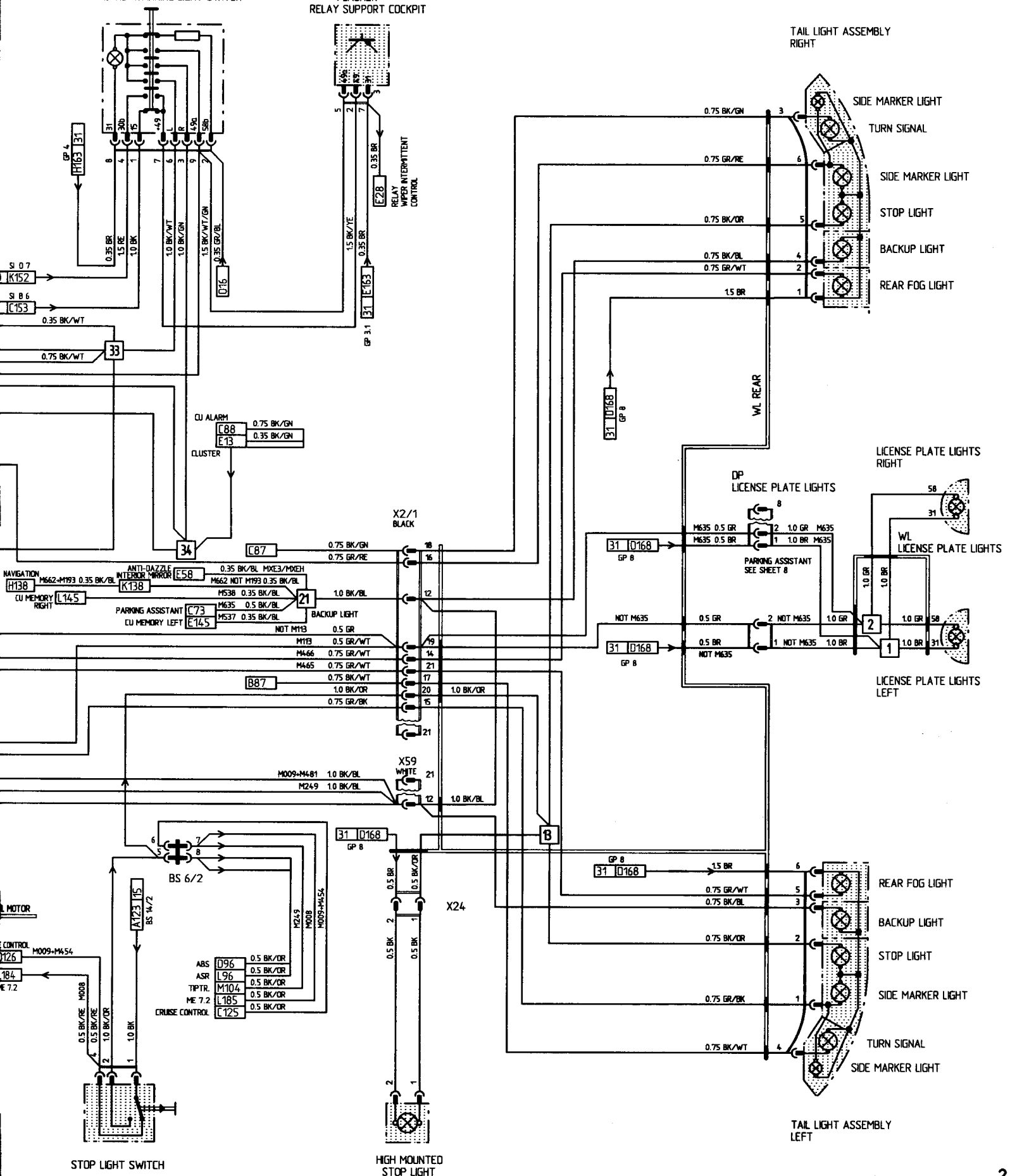
BL = BLUE BR = BROWN YE = YELLOW GN = GREEN GR = GREY PK = PINK RE = RED BK = BLACK VI = VIOLET WT = WHITE

K L M N O P

HAZARD-WARNING LIGHT SWITCH

FLASHER RELAY SUPPORT COCKPIT

TAIL LIGHT ASSEMBLY RIGHT



- SIDE MARKER LIGHT
- TURN SIGNAL
- SIDE MARKER LIGHT
- STOP LIGHT
- BACKUP LIGHT
- REAR FOG LIGHT

LICENSE PLATE LIGHTS RIGHT

LICENSE PLATE LIGHTS LEFT

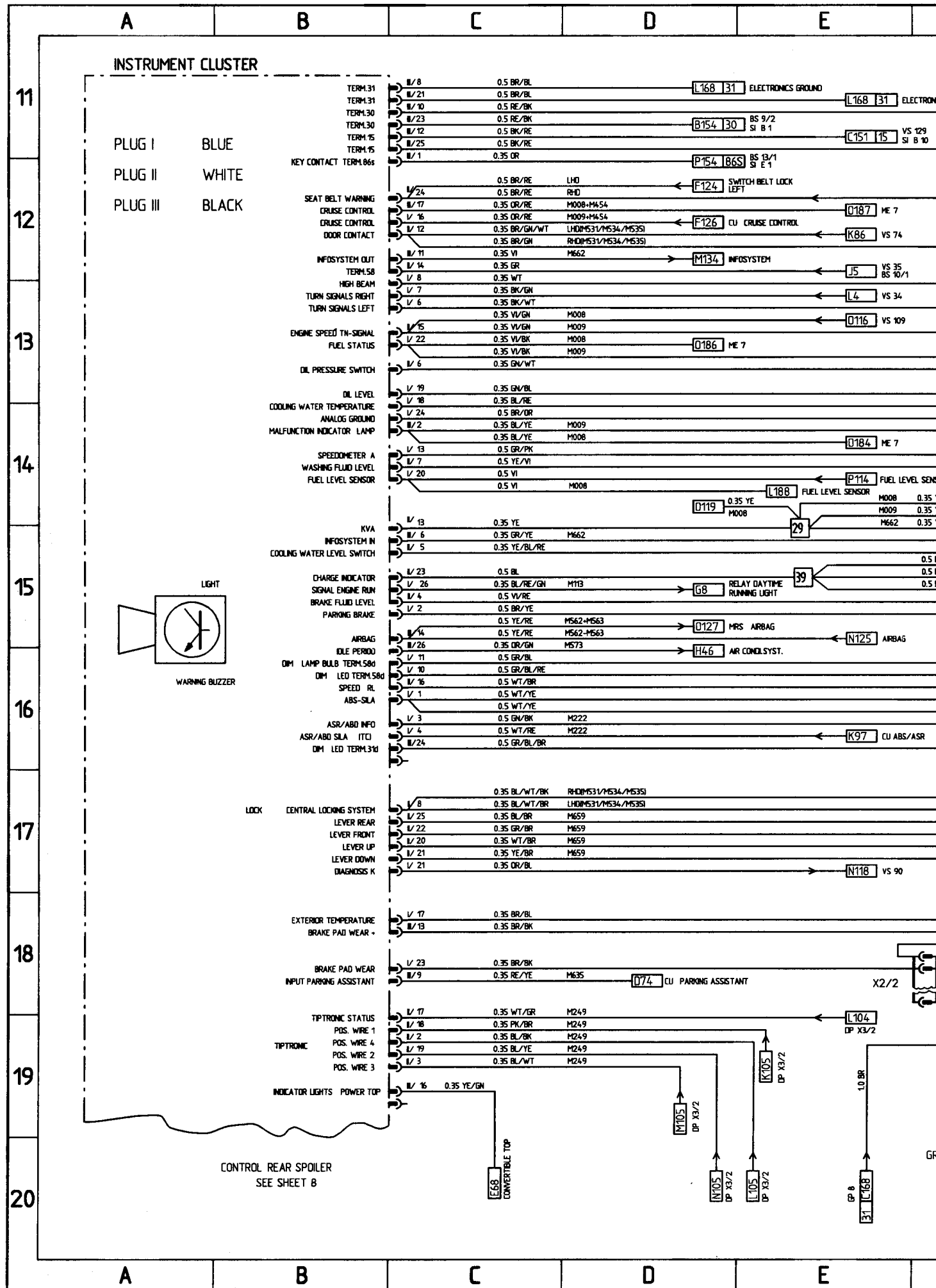
- REAR FOG LIGHT
- BACKUP LIGHT
- STOP LIGHT
- SIDE MARKER LIGHT
- TURN SIGNAL
- SIDE MARKER LIGHT

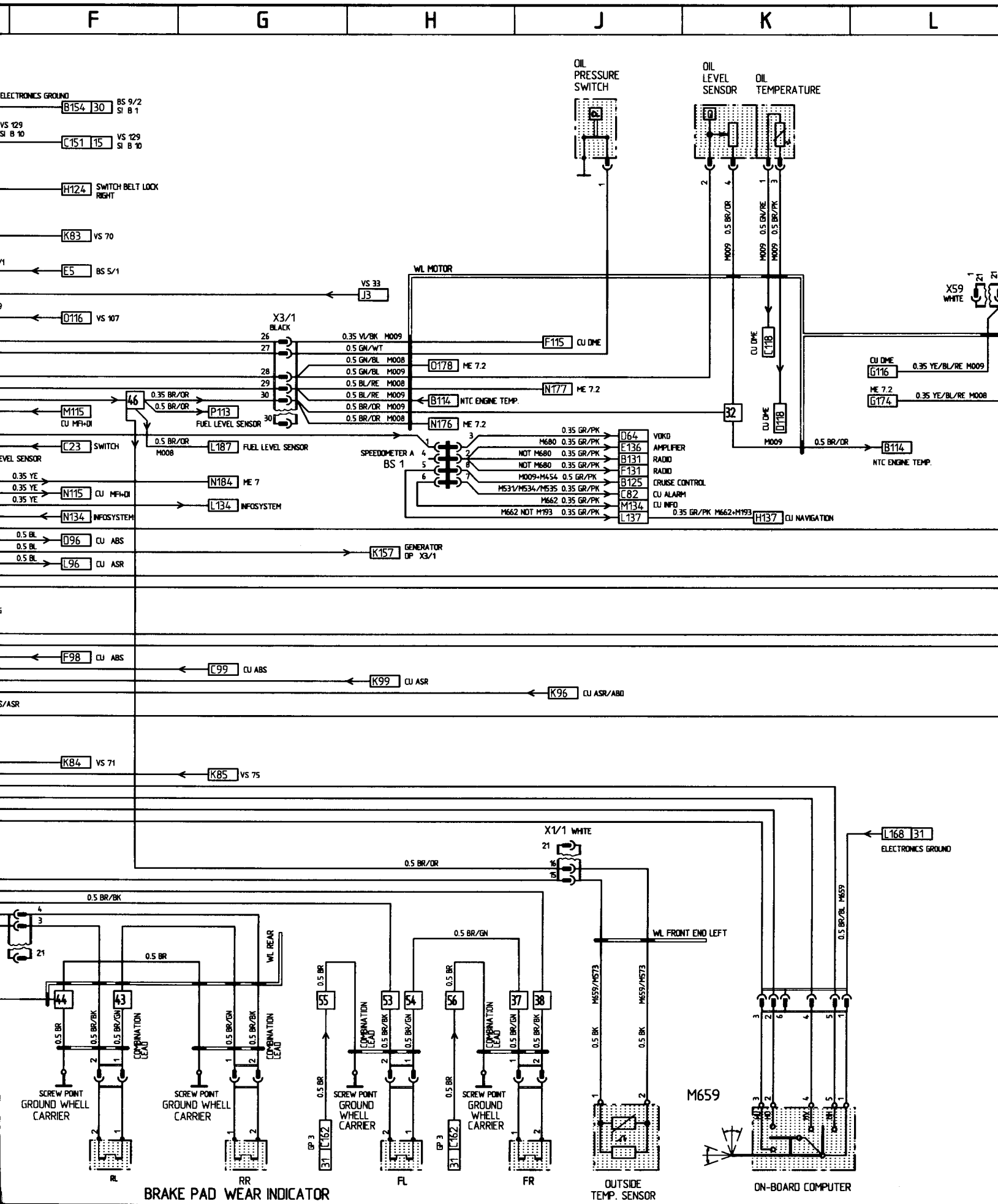
STOP LIGHT SWITCH HIGH MOUNTED STOP LIGHT

K L M N O P

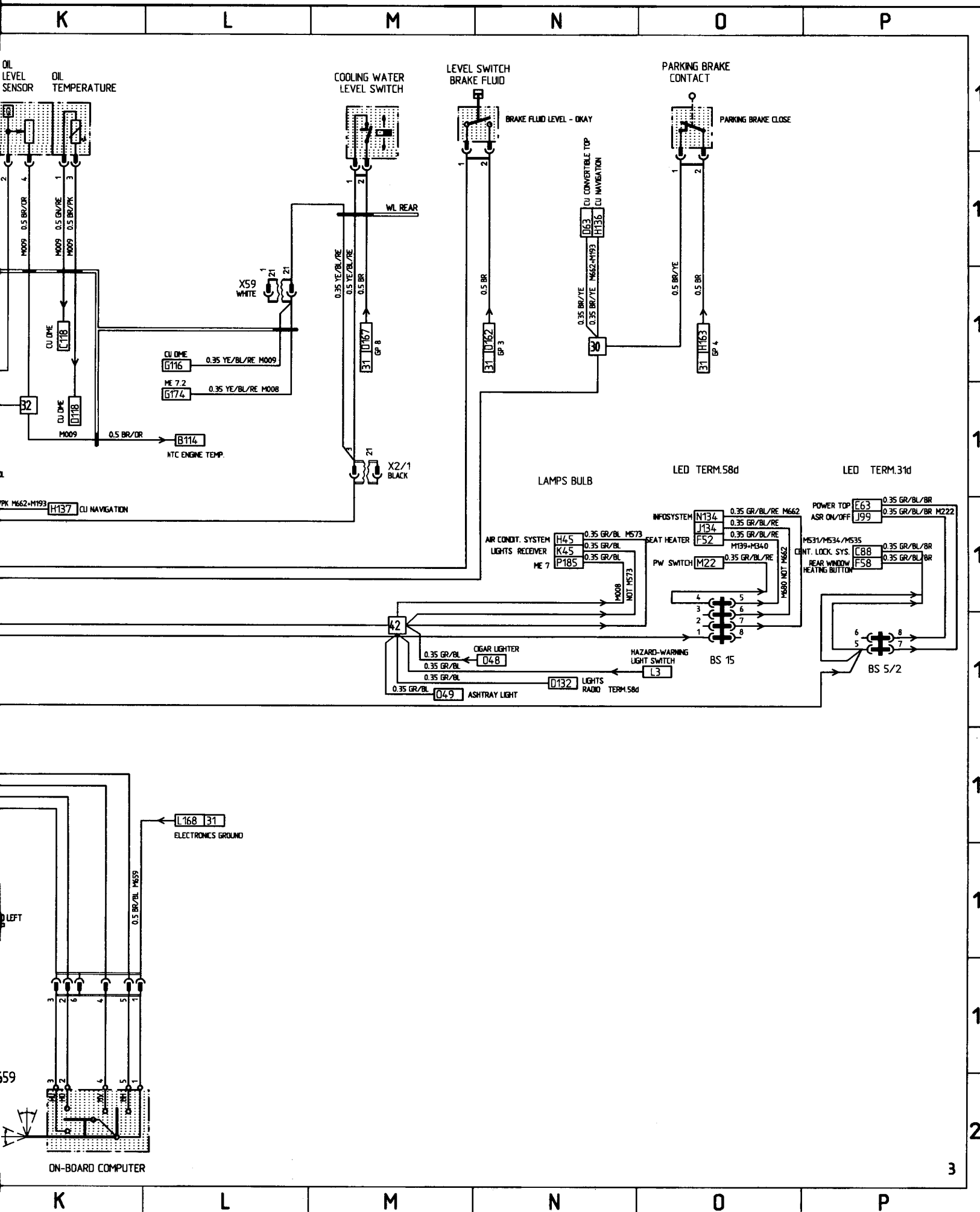
Boxster MODEL 99 SHEET 3

INSTRUMENT CLUSTER AND SENSOR



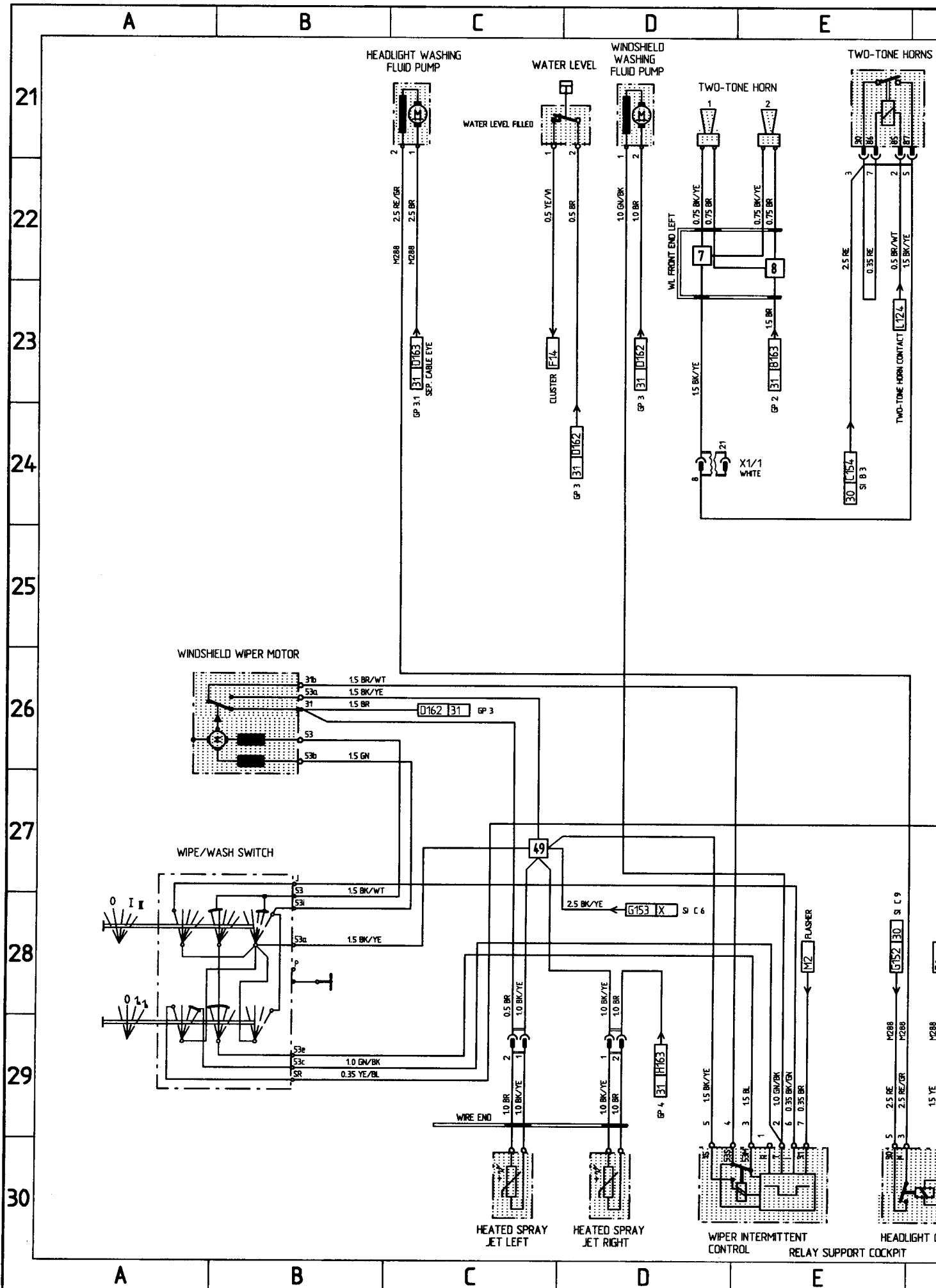


BL = BLUE BR = BROWN YE = YELLOW GN = GREEN GR = GREY PK = PINK RE = RED BK = BLACK VI = VIOLET



Boxster MODEL 99 SHEET 4

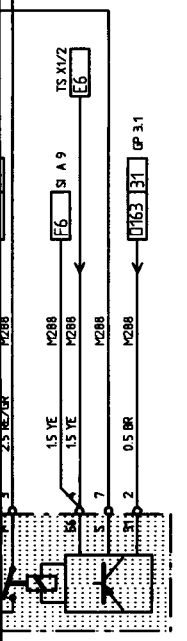
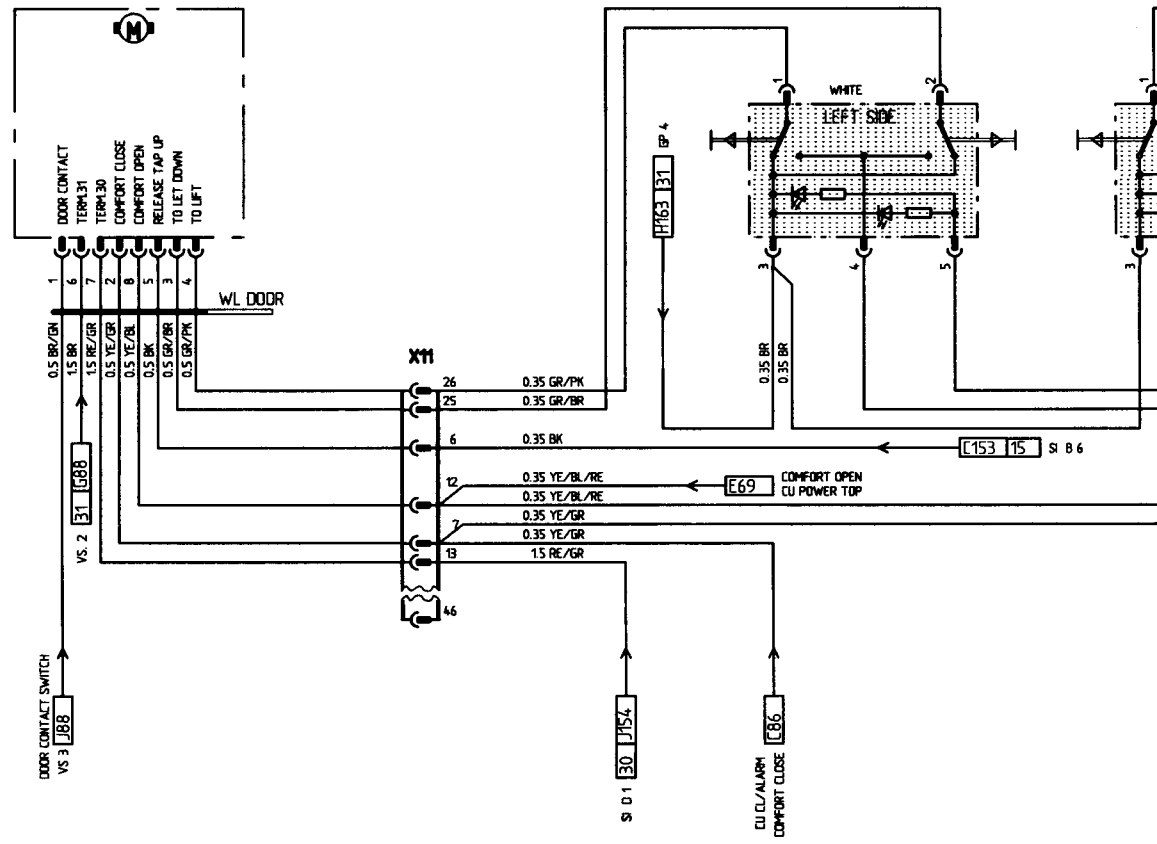
WIPE- AND WASH CLEANERS, TWO-TONE HORNS, POWER WINDOW, MIRROR



HORNS

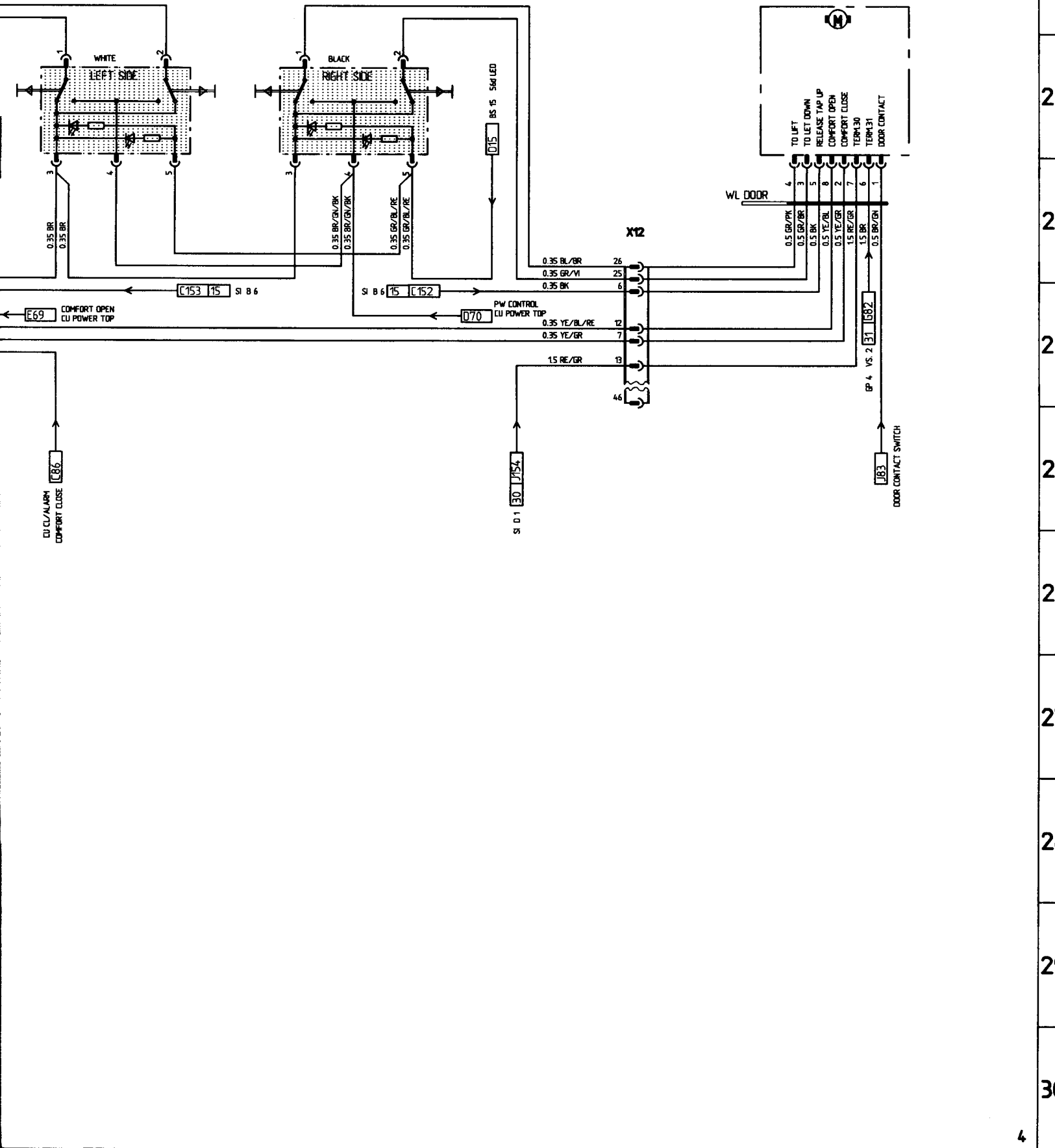
POWER WINDOWS

MOTOR
POWER WINDOW
LEFT SIDE



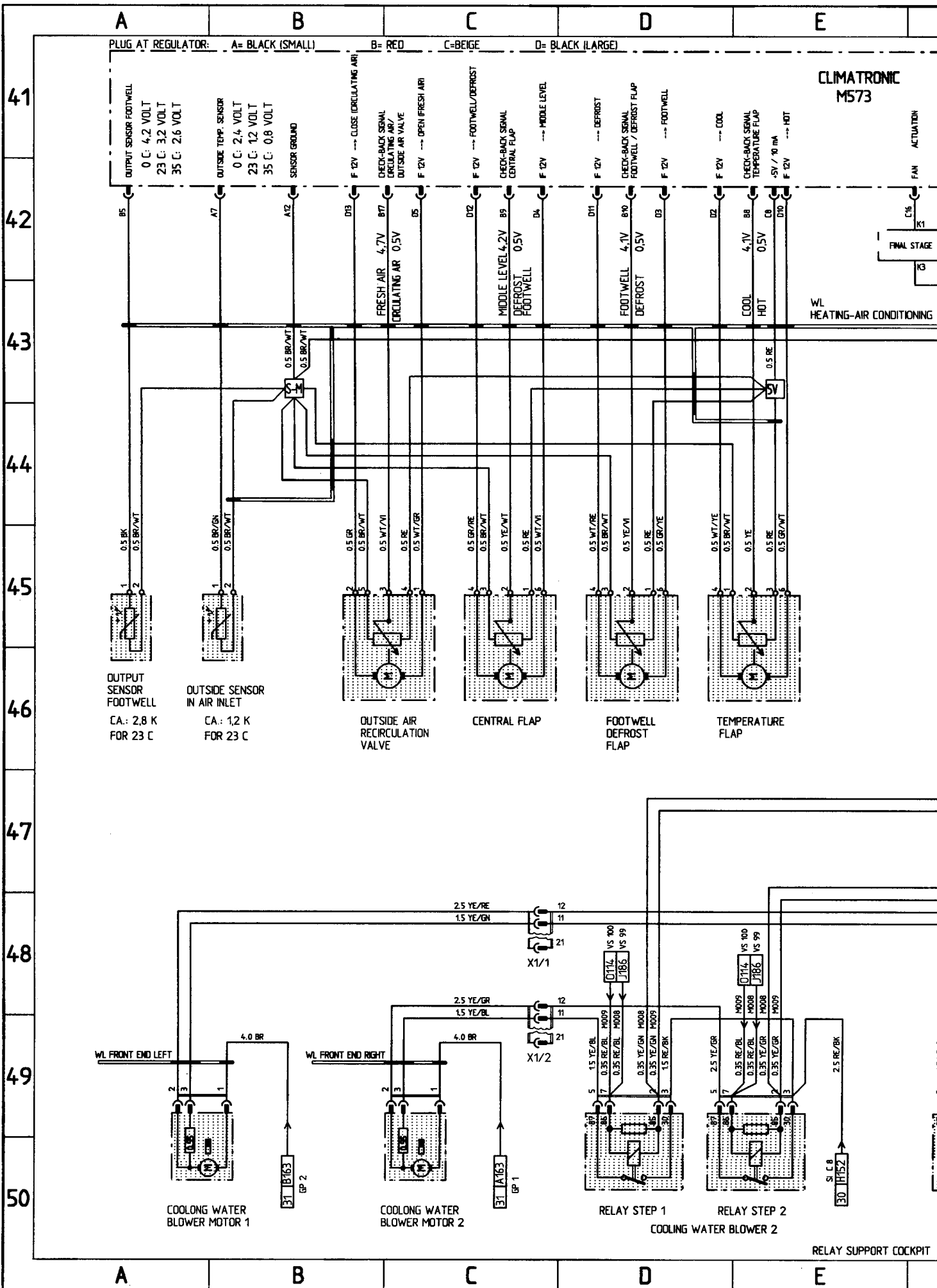
LIGHT CLEANING SYSTEM

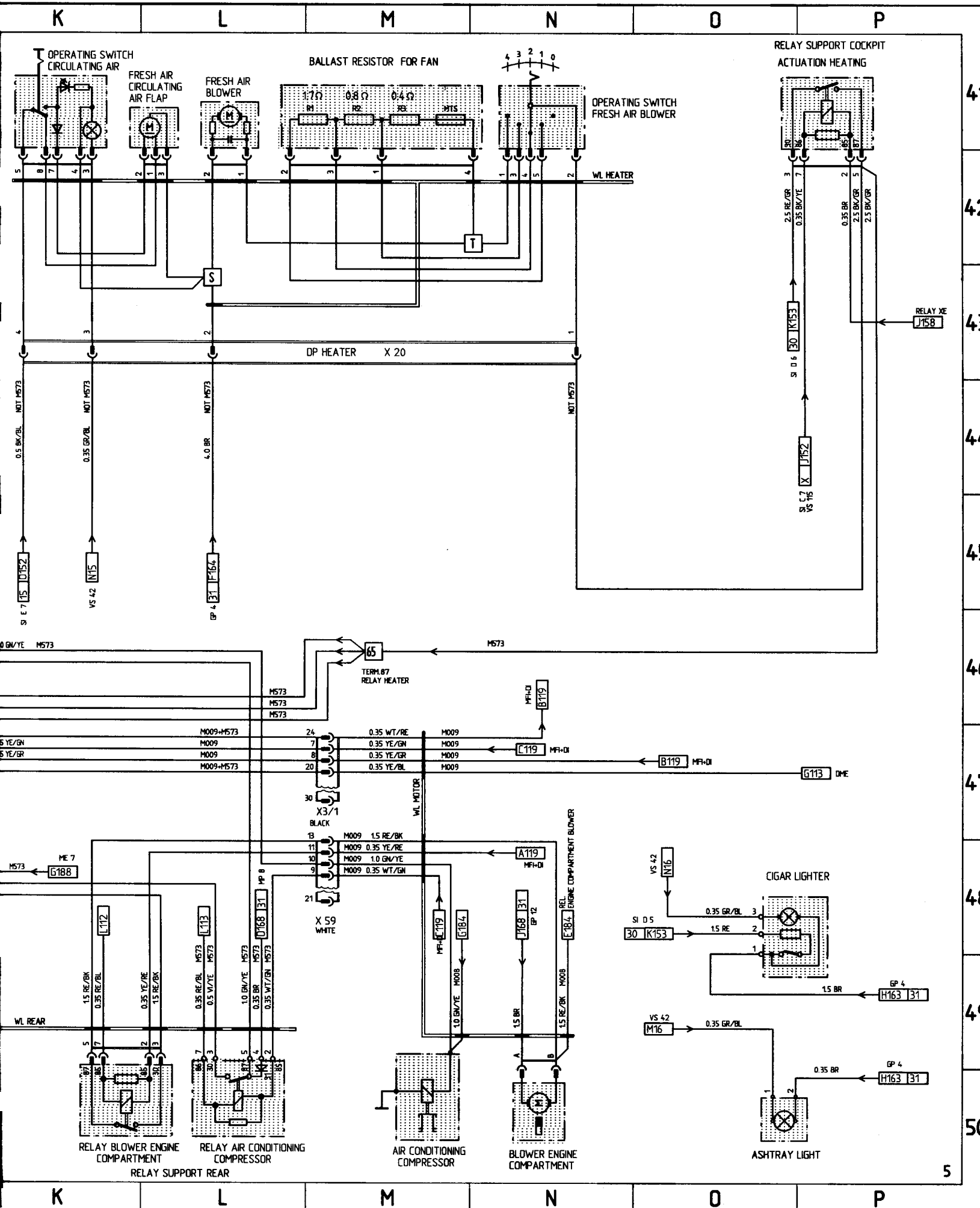
POWER WINDOWS



Boxster MODEL 99 SHEET 5

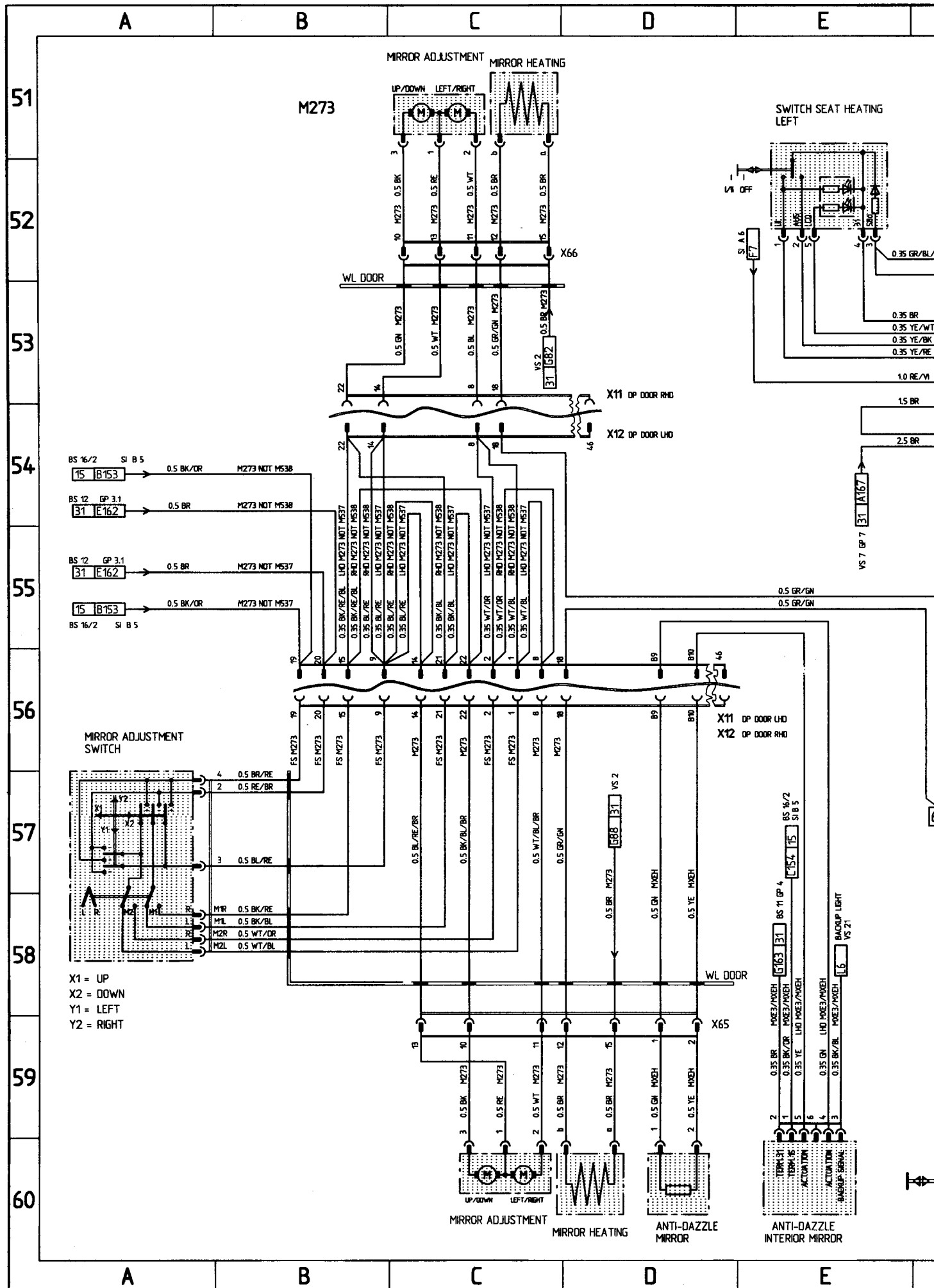
ENGINE COOLING, HEATING, AIR CONDITIONING SYSTEM





Boxster MODEL 99 SHEET 6

MIRROR ADJUSTMENT, SEAT HEATING, REAR WINDOW DEFOGGER



F

G

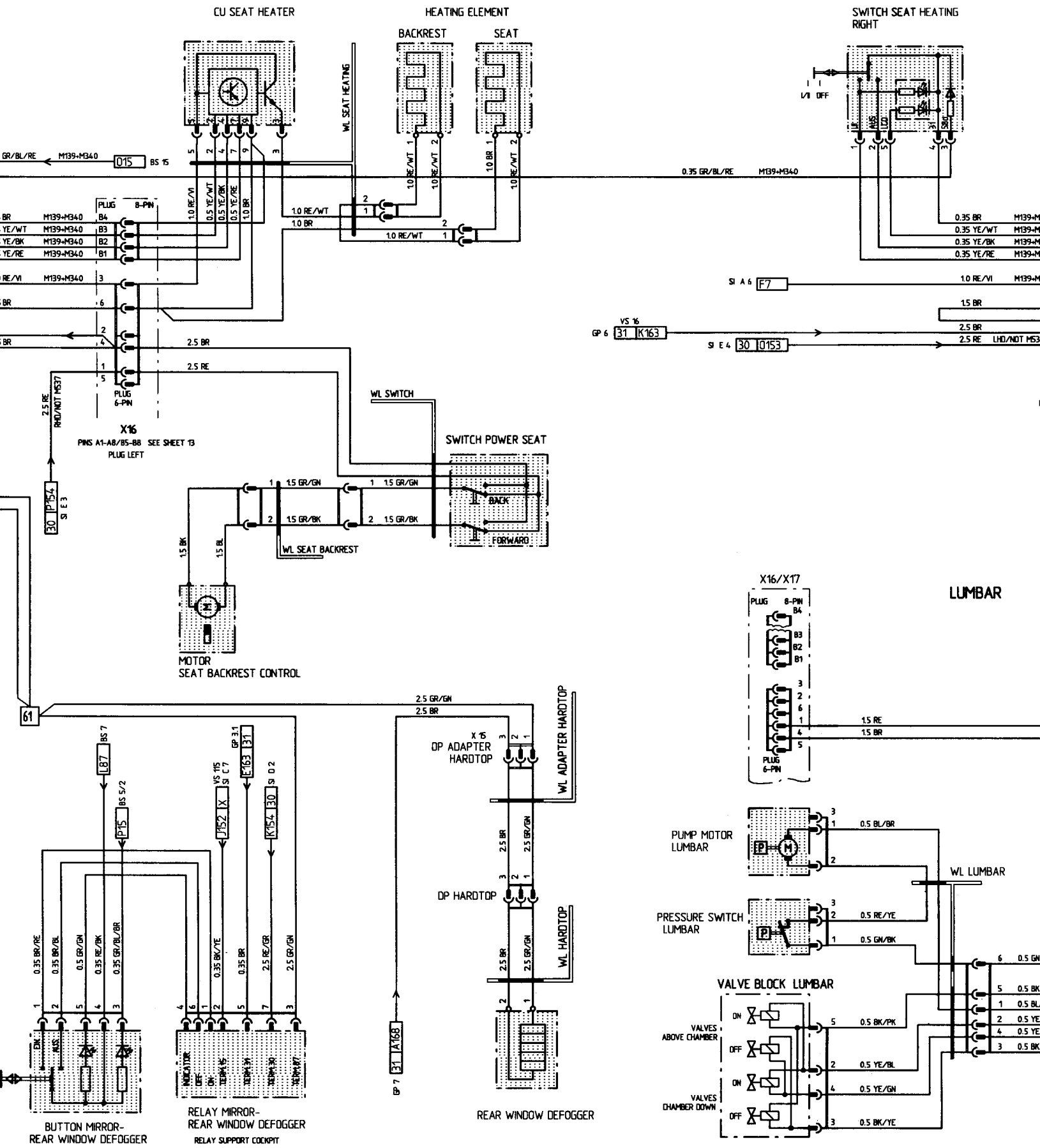
H

J

K

L

ADJUSTABLE SEAT HEATING LEFT M139+M340



BL = BLUE

BR = BROWN

YE = YELLOW

GN = GREEN

GR = GREY

PK = PINK

RE = RED

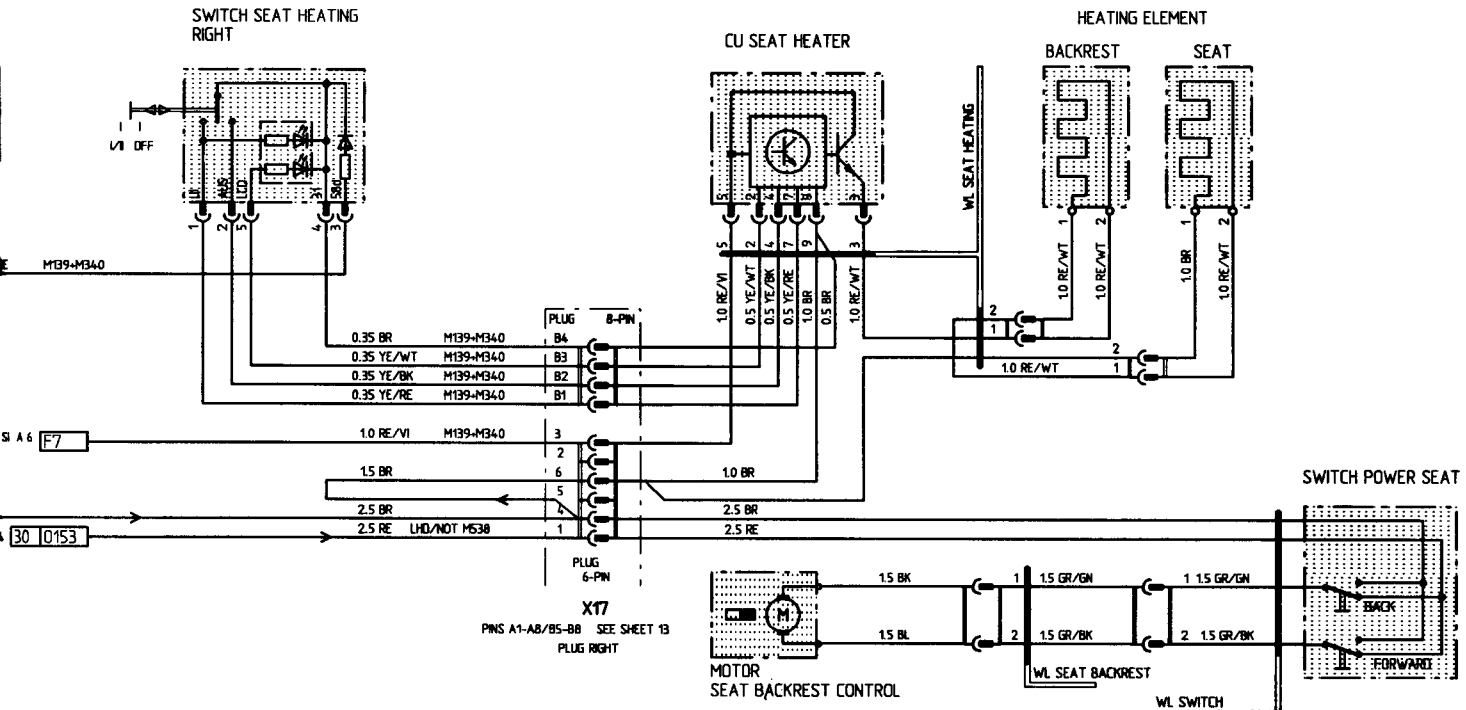
BK = BLACK

VI = VIOLET

WT

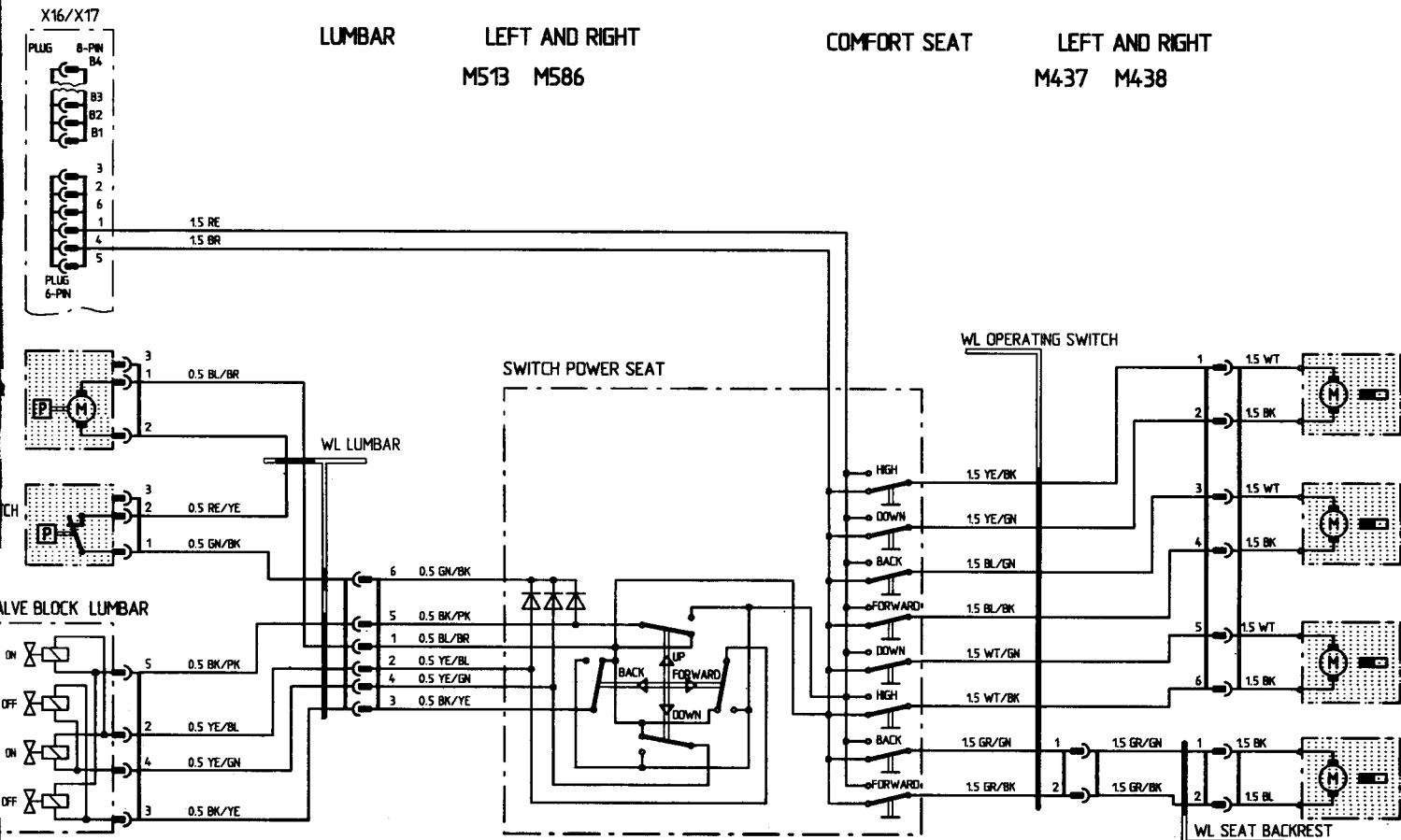
K L M N O P

ADJUSTABLE SEAT HEATING RIGHT M139+M340



LUMBAR LEFT AND RIGHT M513 M586

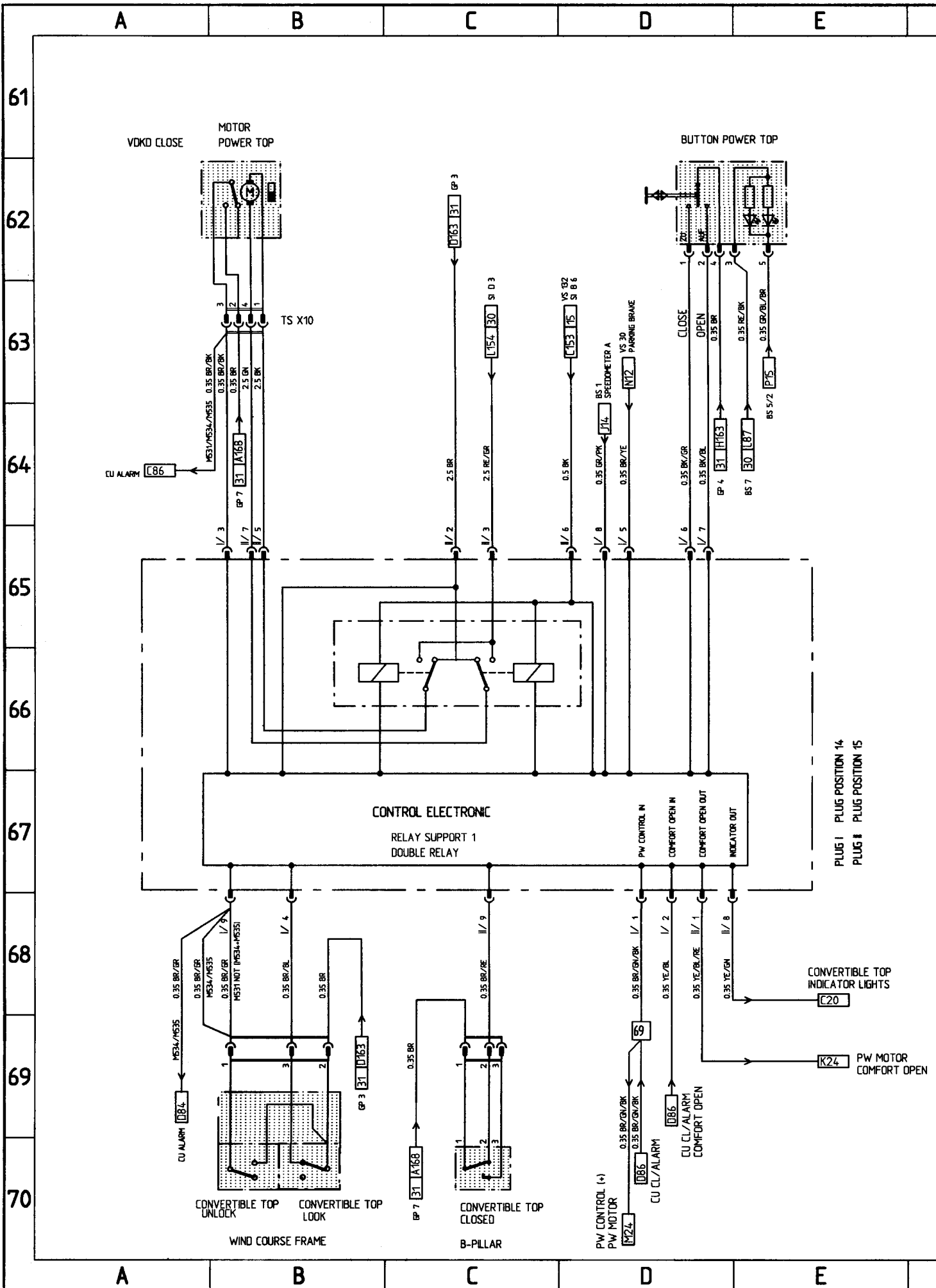
COMFORT SEAT LEFT AND RIGHT M437 M438



K L M N O P

Boxster MODEL 99 SHEET 7

CONVERTIBLE TOP DRIVE



F	G	H	J	K	L
---	---	---	---	---	---

R
OPEN

F	G	H	J	K	L
---	---	---	---	---	---

BL = BLUE

BR = BROWN

YE = YELLOW

GN = GREEN

GR = GREY

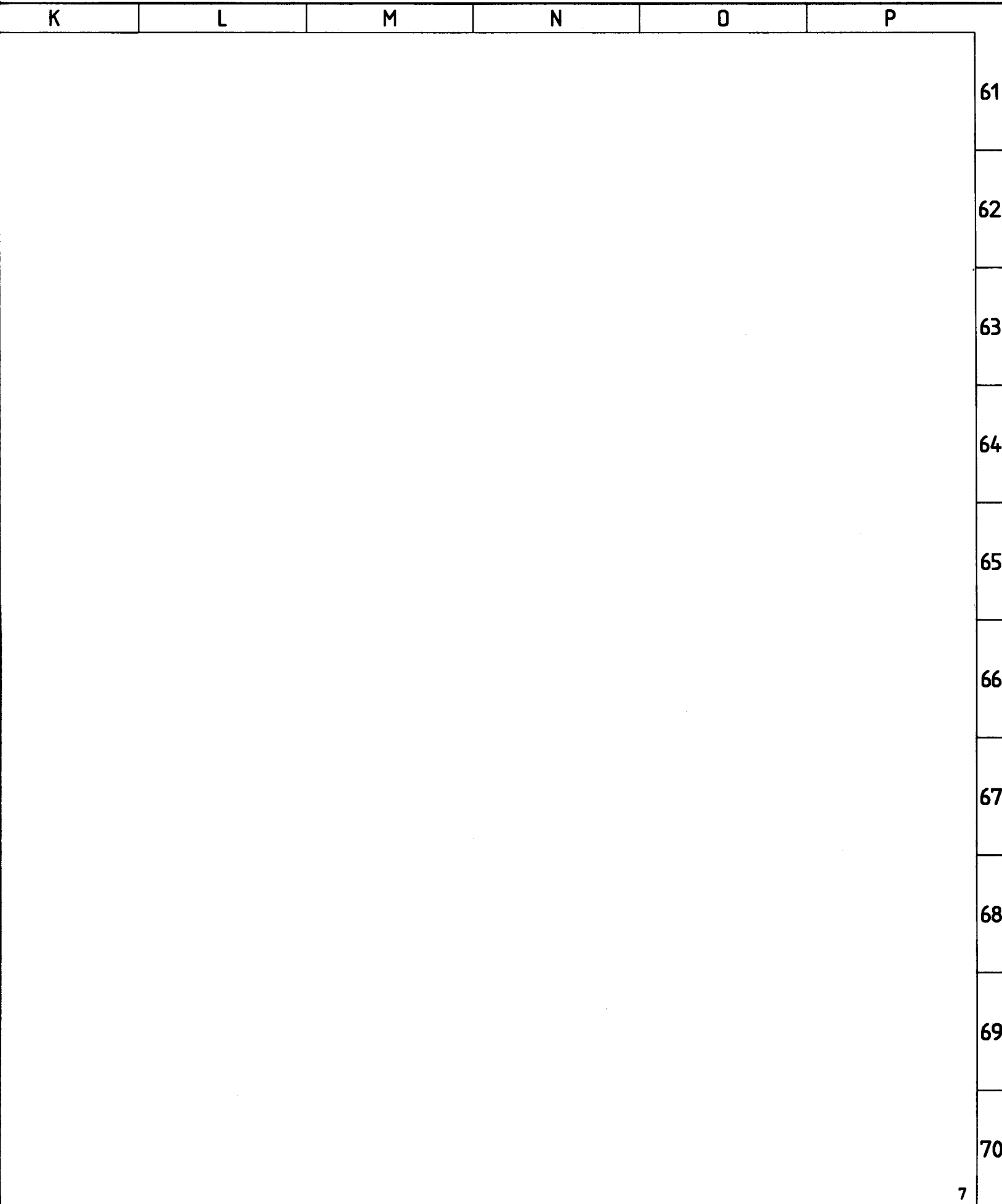
PK = PINK

RE = RED

BK = BLACK

VI = VIOLET

WT =



K

L

M

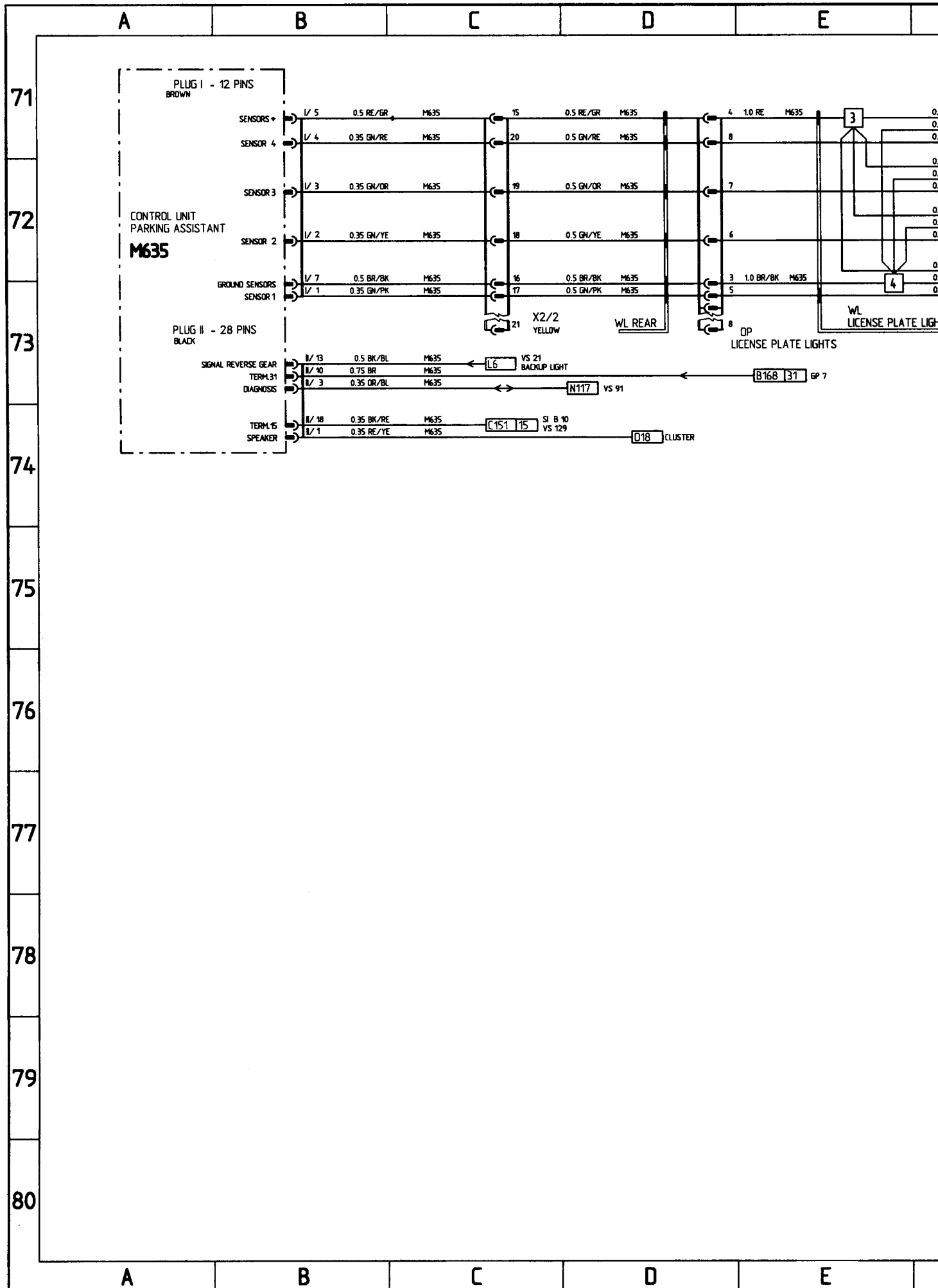
N

O

P

Boxster MODEL 99 SHEET 8

SPOILER EXTEND PARKING ASSISTANT



F

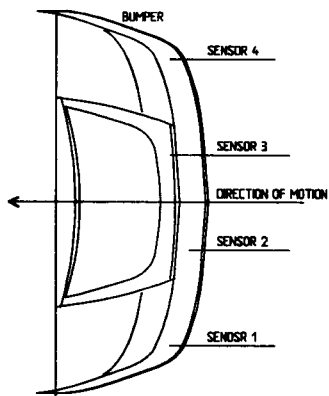
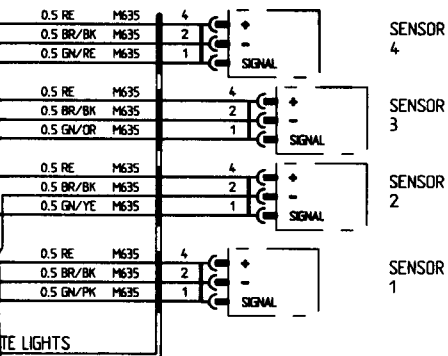
G

H

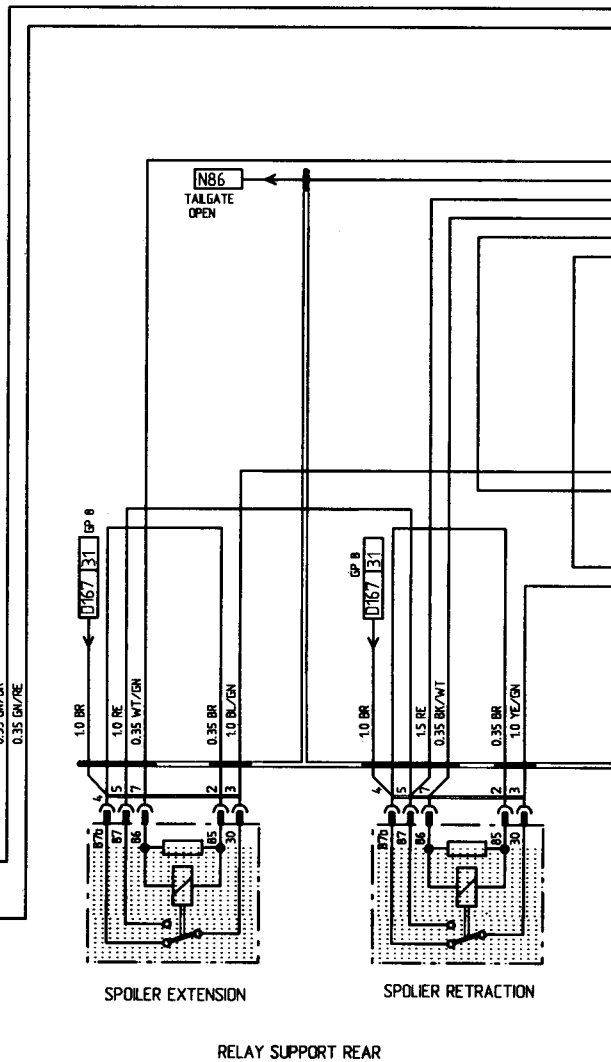
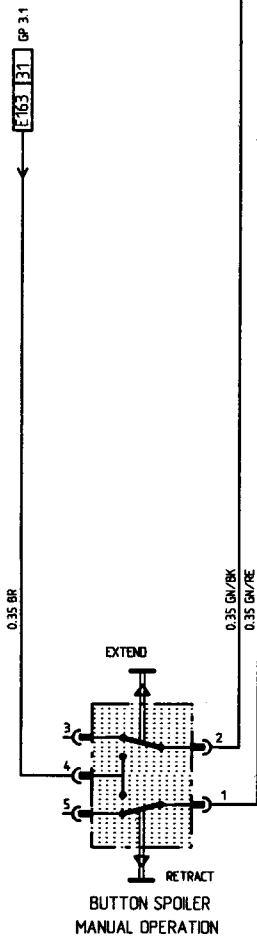
J

K

L



TE LIGHTS



F

G

H

J

K

L

BL = BLUE

BR = BROWN

YE = YELLOW

GN = GREEN

GR = GREY

PK = PINK

RE = RED

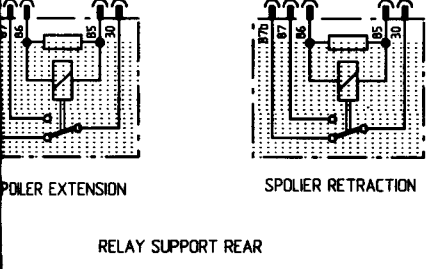
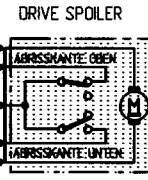
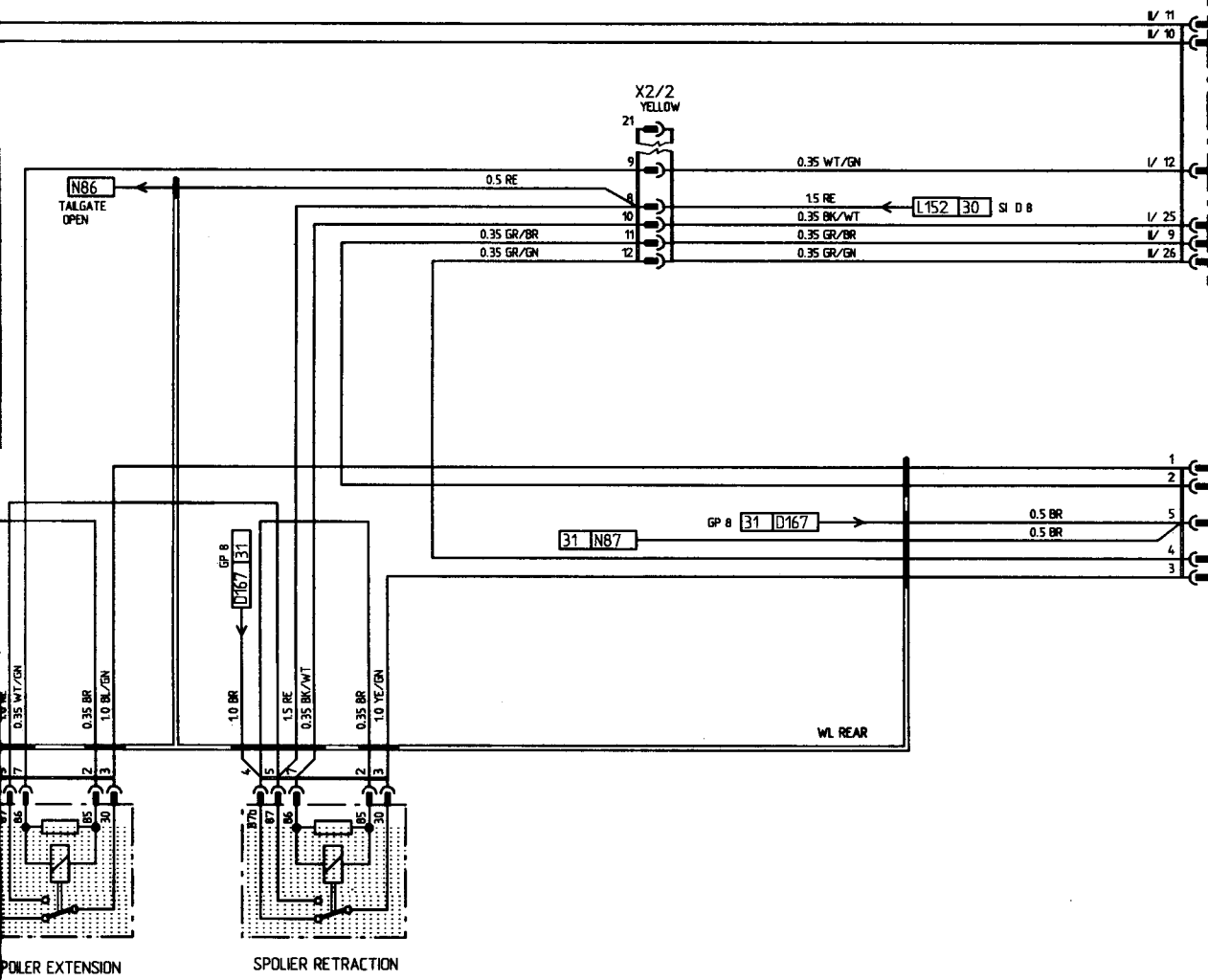
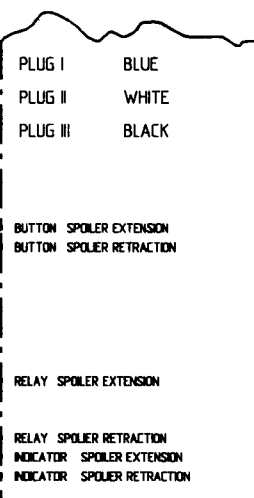
BK = BLACK

VI = VIOLET

WT = WHITE

K L M N O P

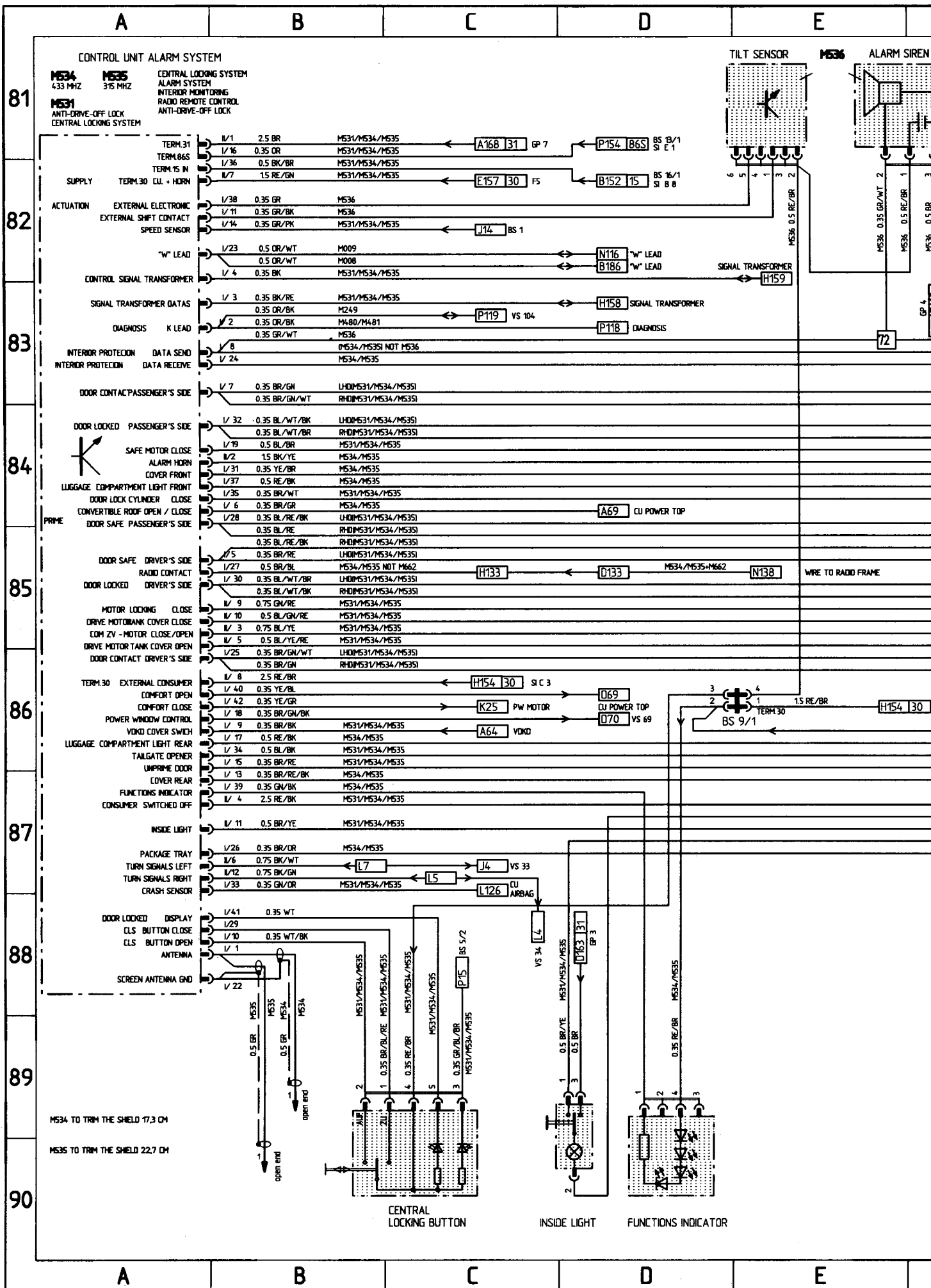
INSTRUMENT CLUSTER
SEE SHEET 3

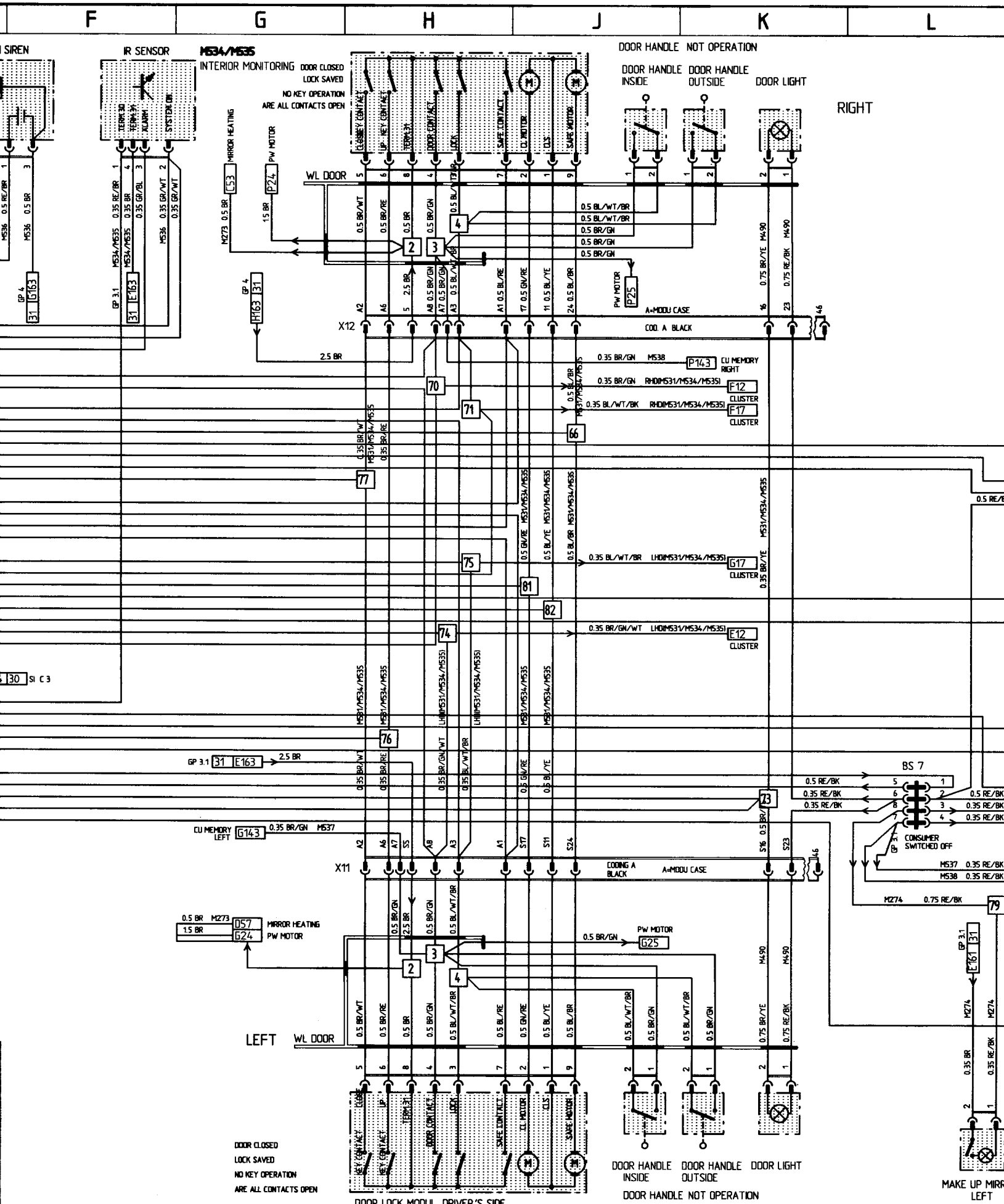


K L M N O P

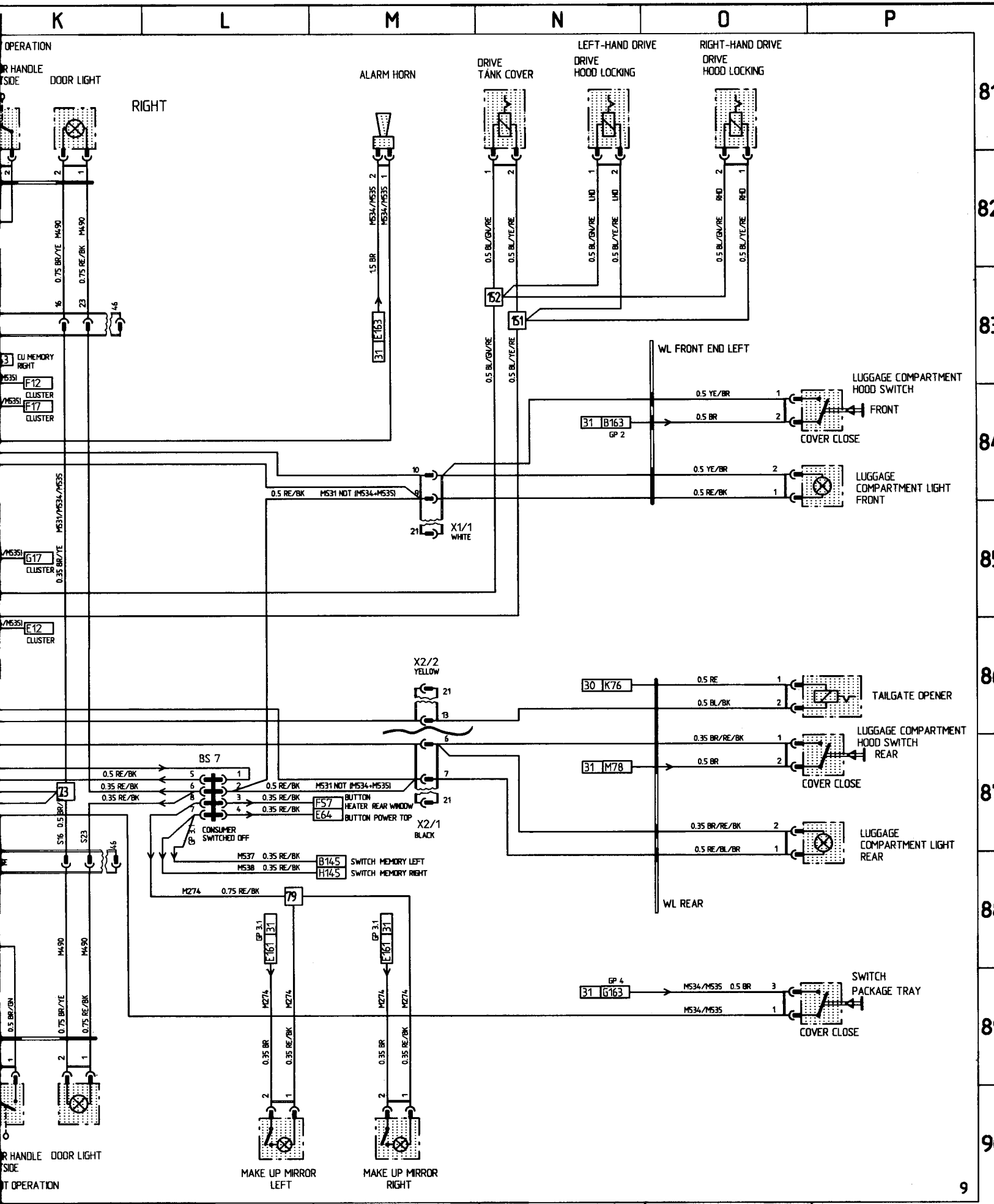
Boxster MODEL 99 SHEET 9

CENTRAL LOCKS, ALARM SYSTEM, INTERIOR MONITORING



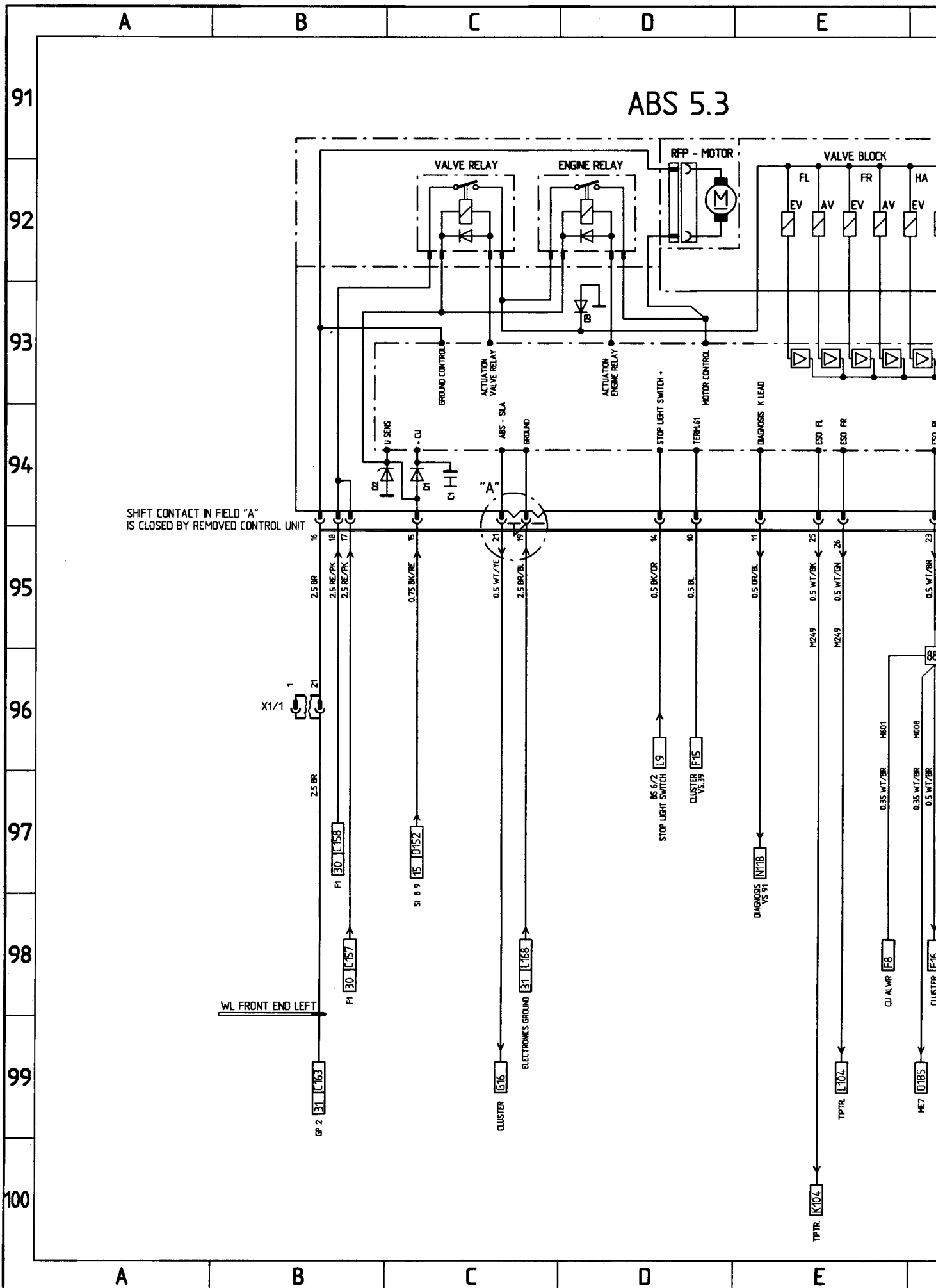


BL = BLUE BR = BROWN YE = YELLOW GN = GREEN GR = GREY PK = PINK RE = RED BK = BLACK VI = VIOLET WT

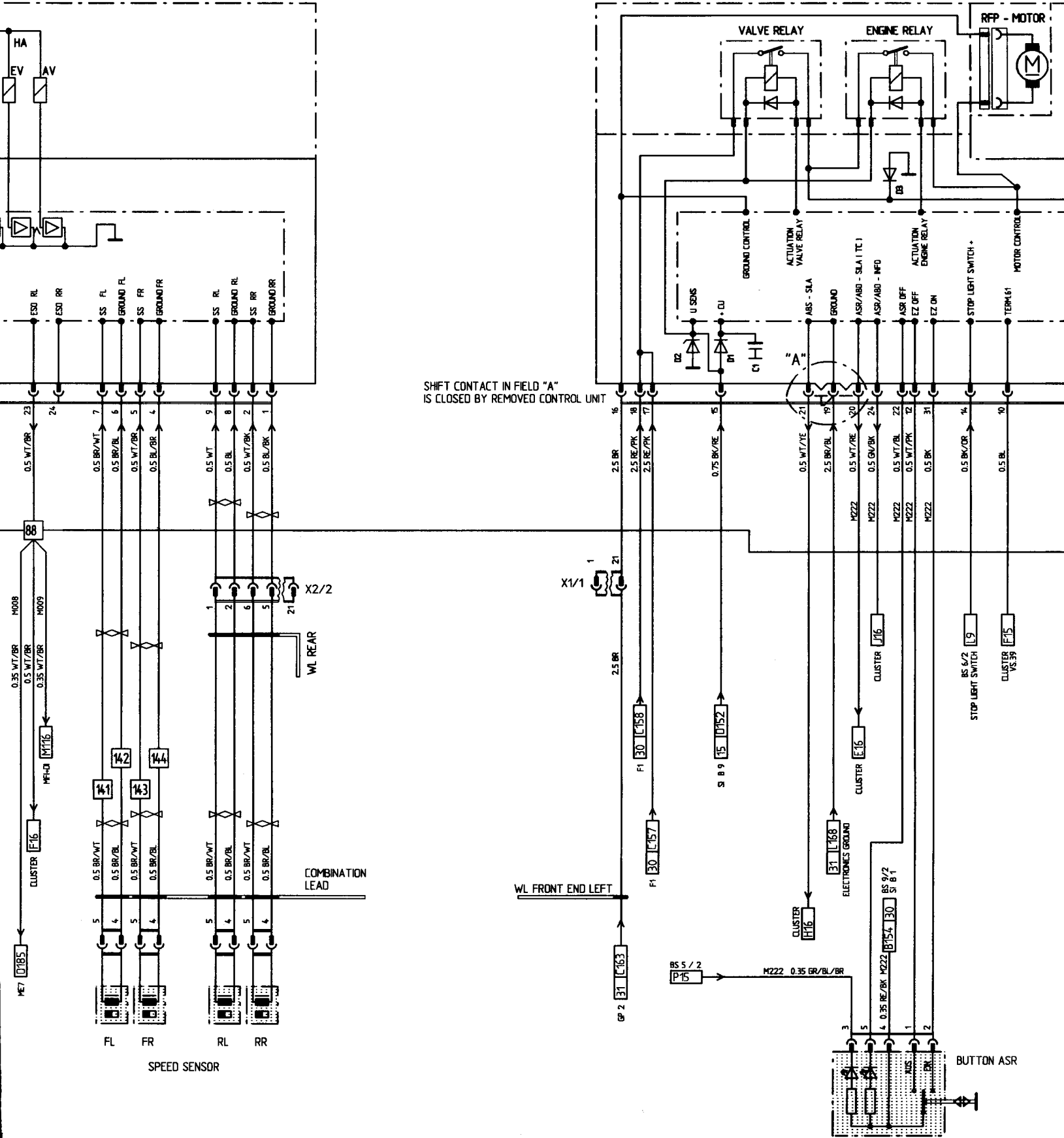


Boxster MODEL 99 SHEET 10

ABS



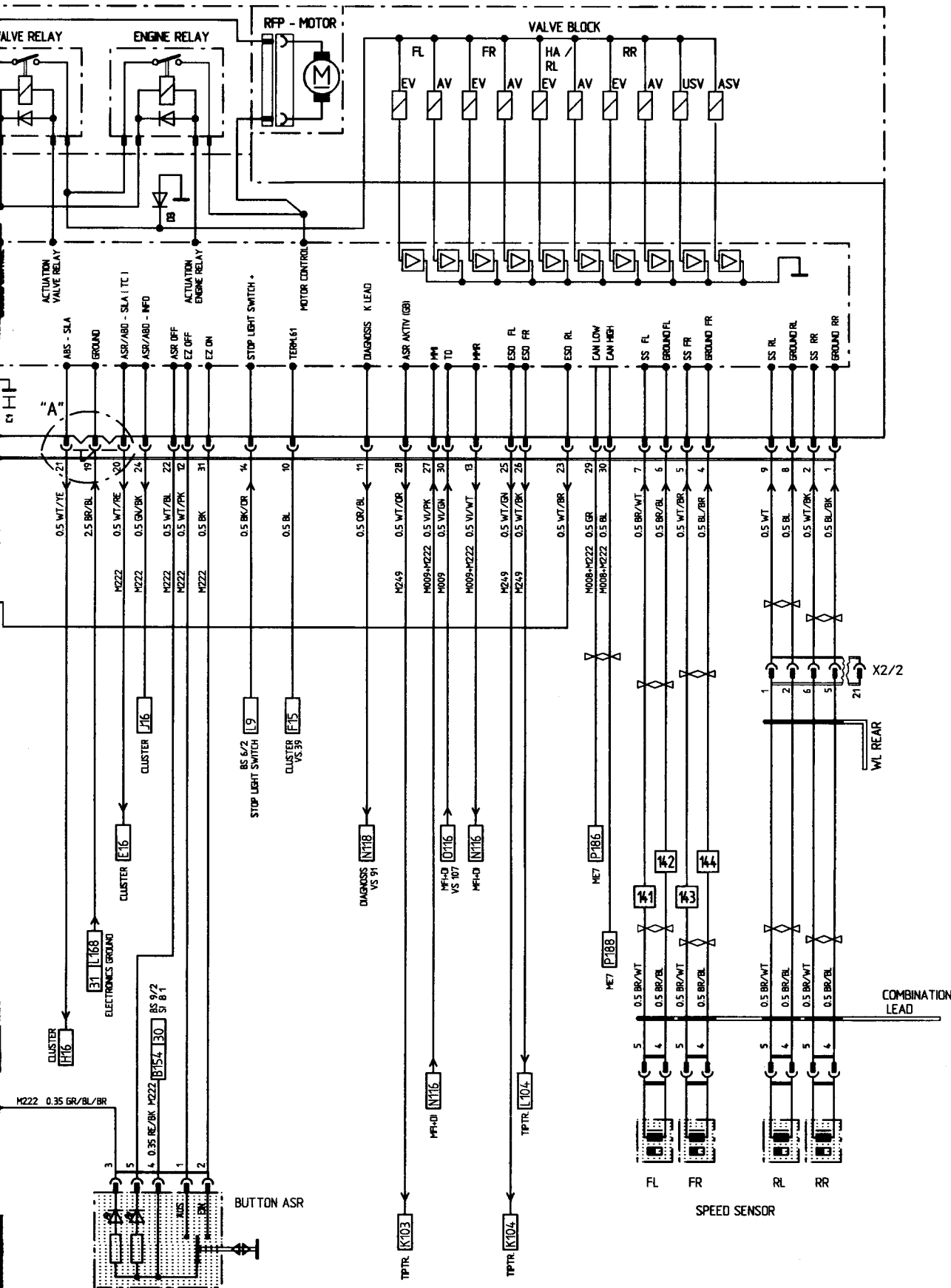
ASR 5.3



K L M N O P

ASR 5.3

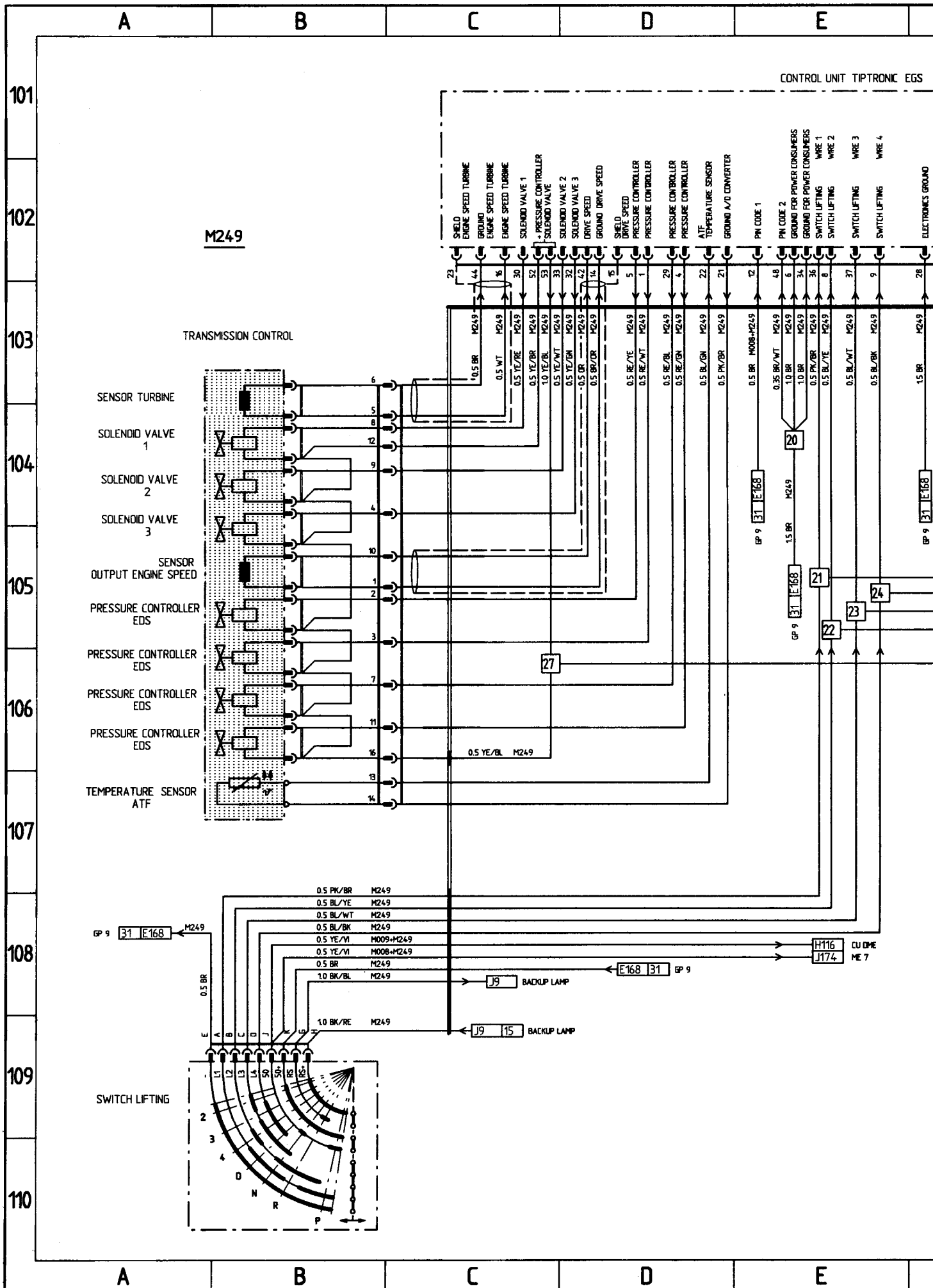
M222



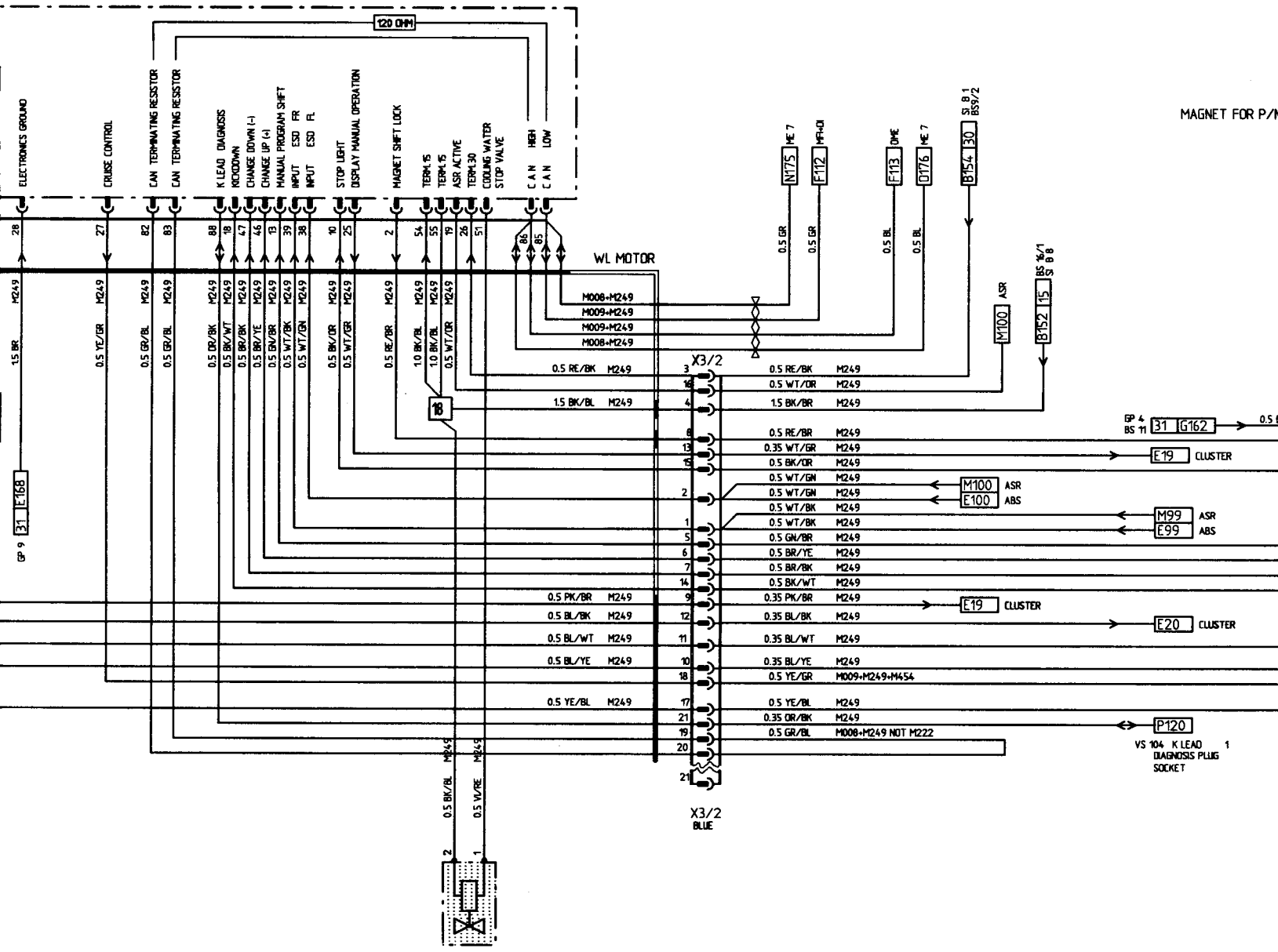
K L M N O P

Boxster MODEL 99 SHEET 11

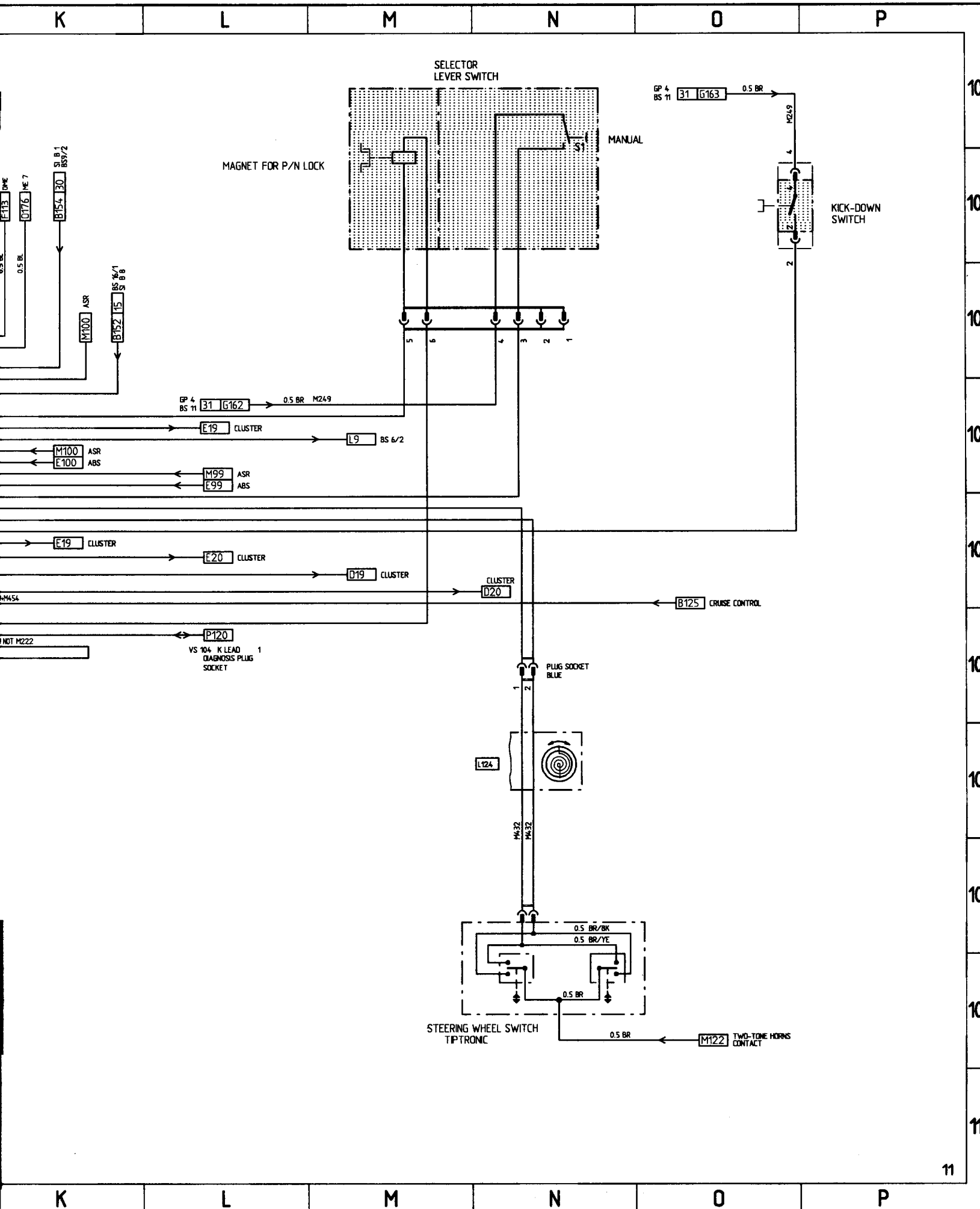
TIPTRONIC



EGS

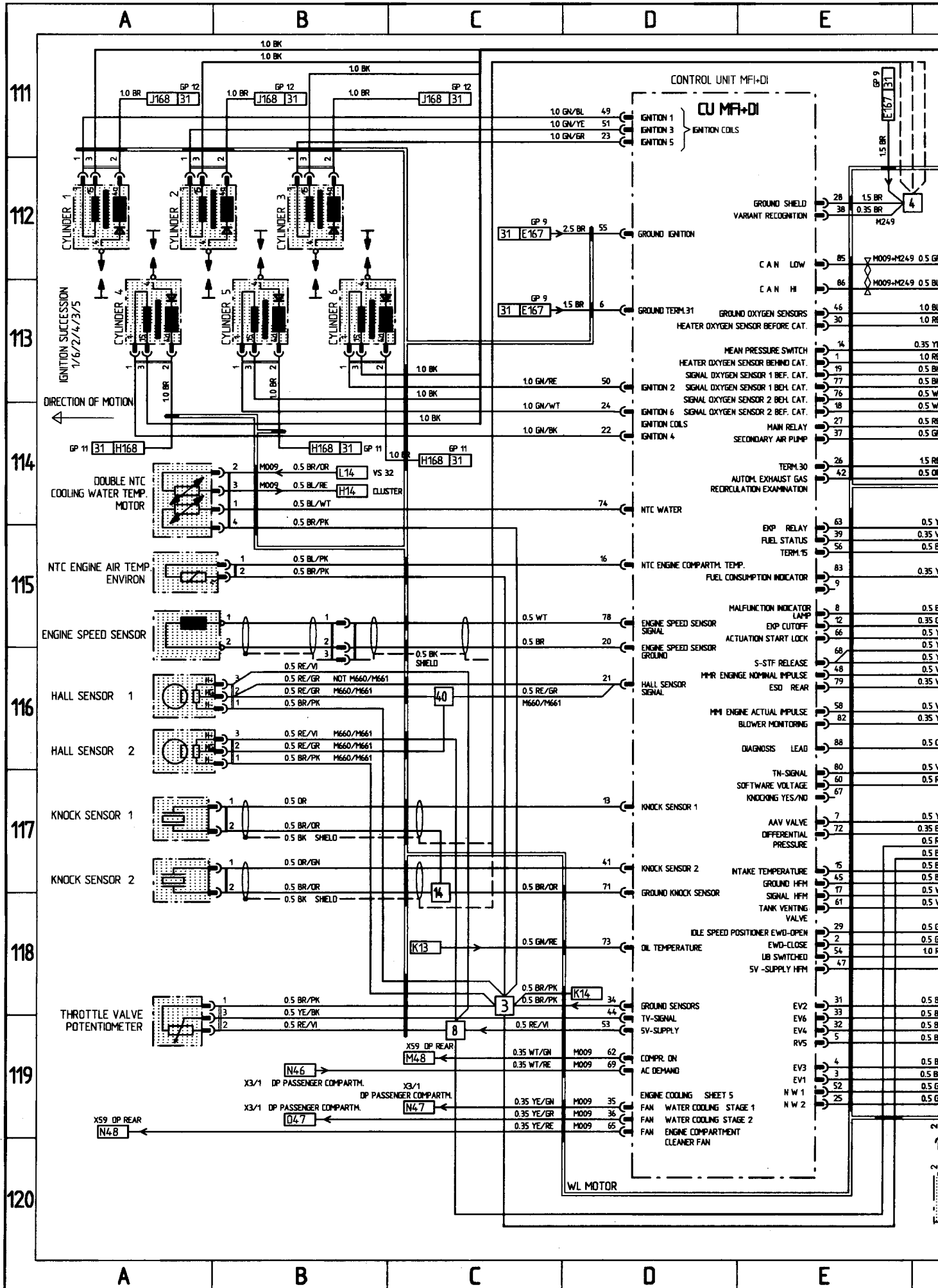


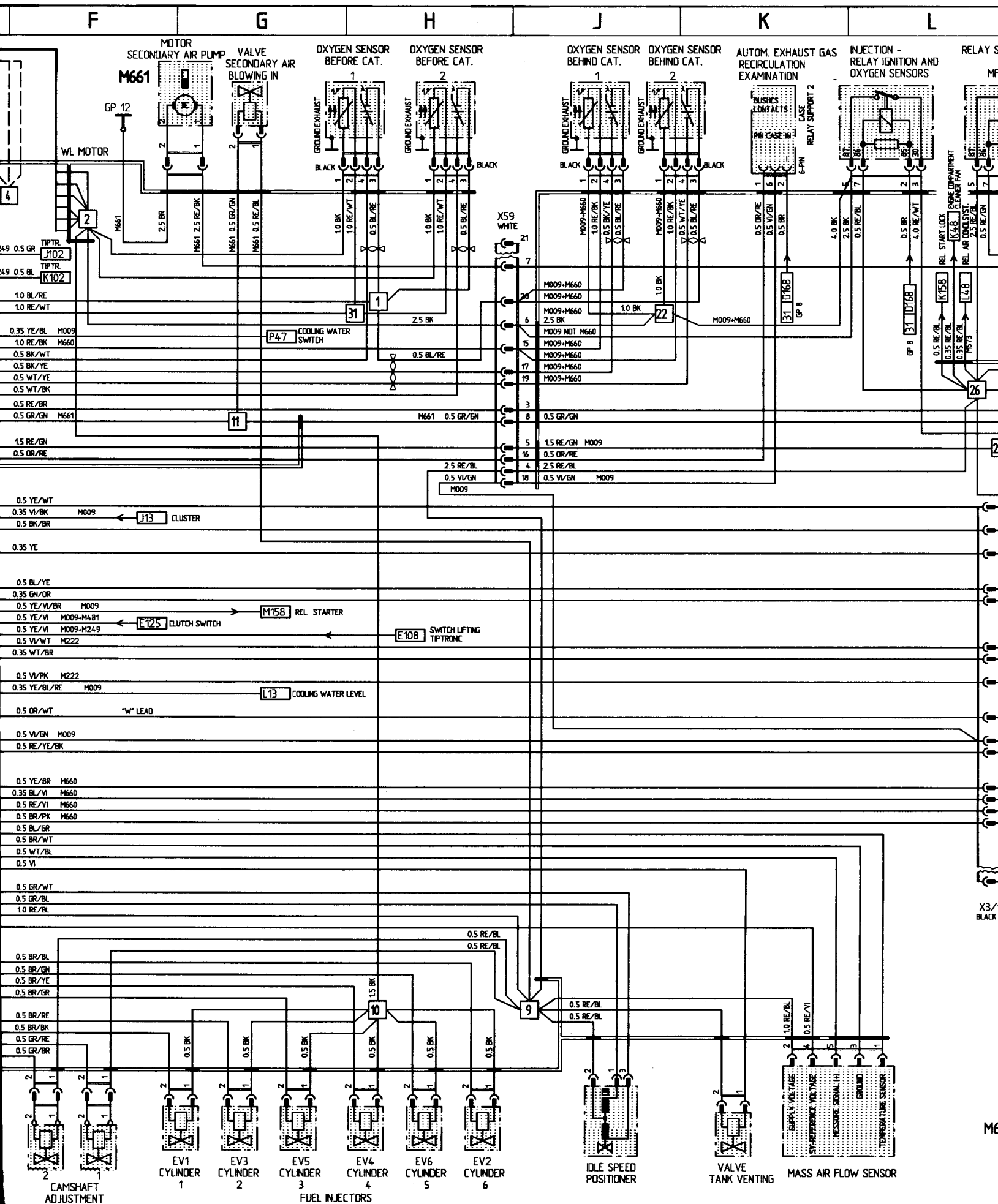
MAGNET FOR P/V



Boxster MODEL 99 SHEET 12

MFI+DI MOTORELEKTRONIK





BL = BLUE

BR = BROWN

YE = YELLOW

GN = GREEN

GR = GREY

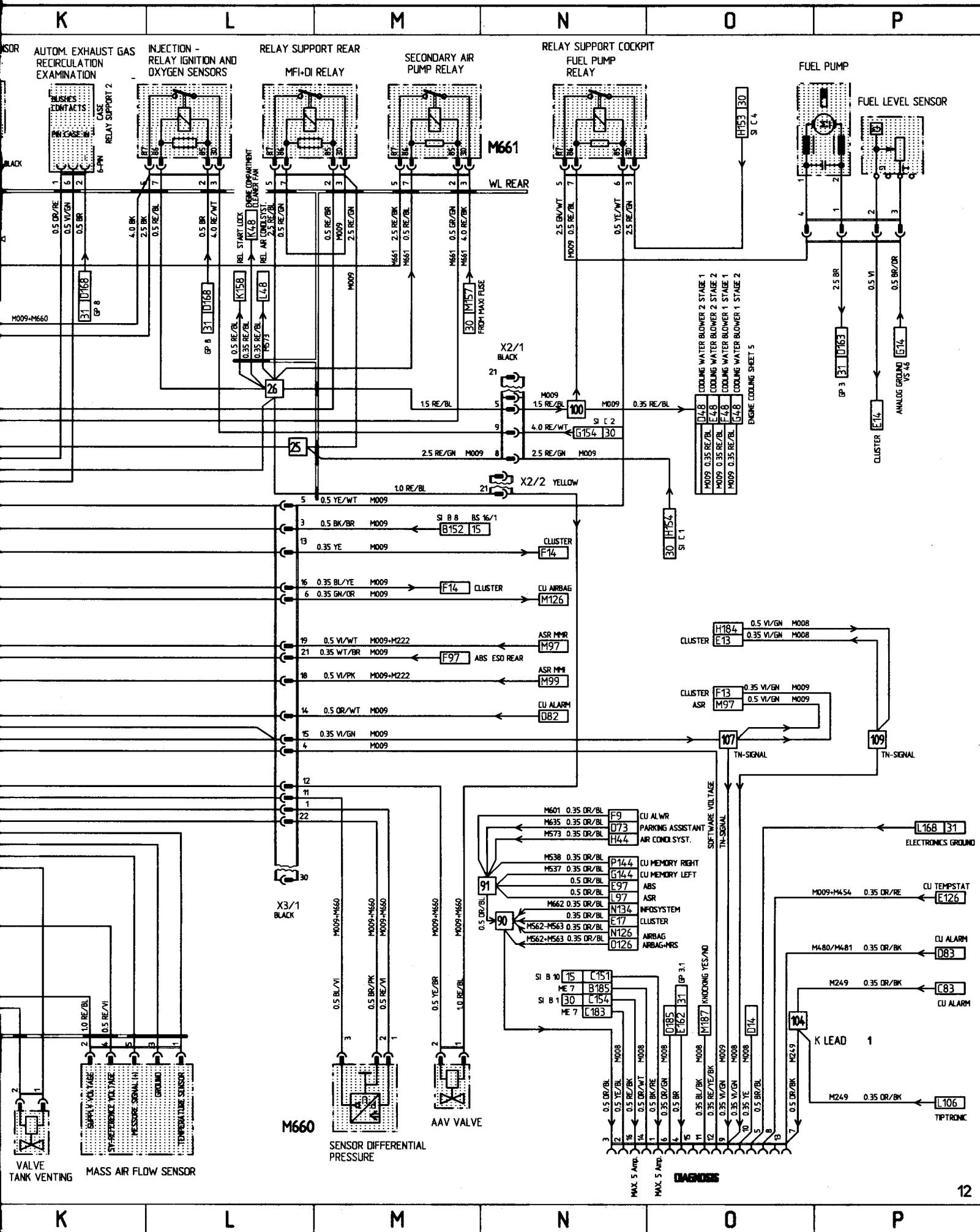
PK = PINK

RE = RED

BK = BLACK

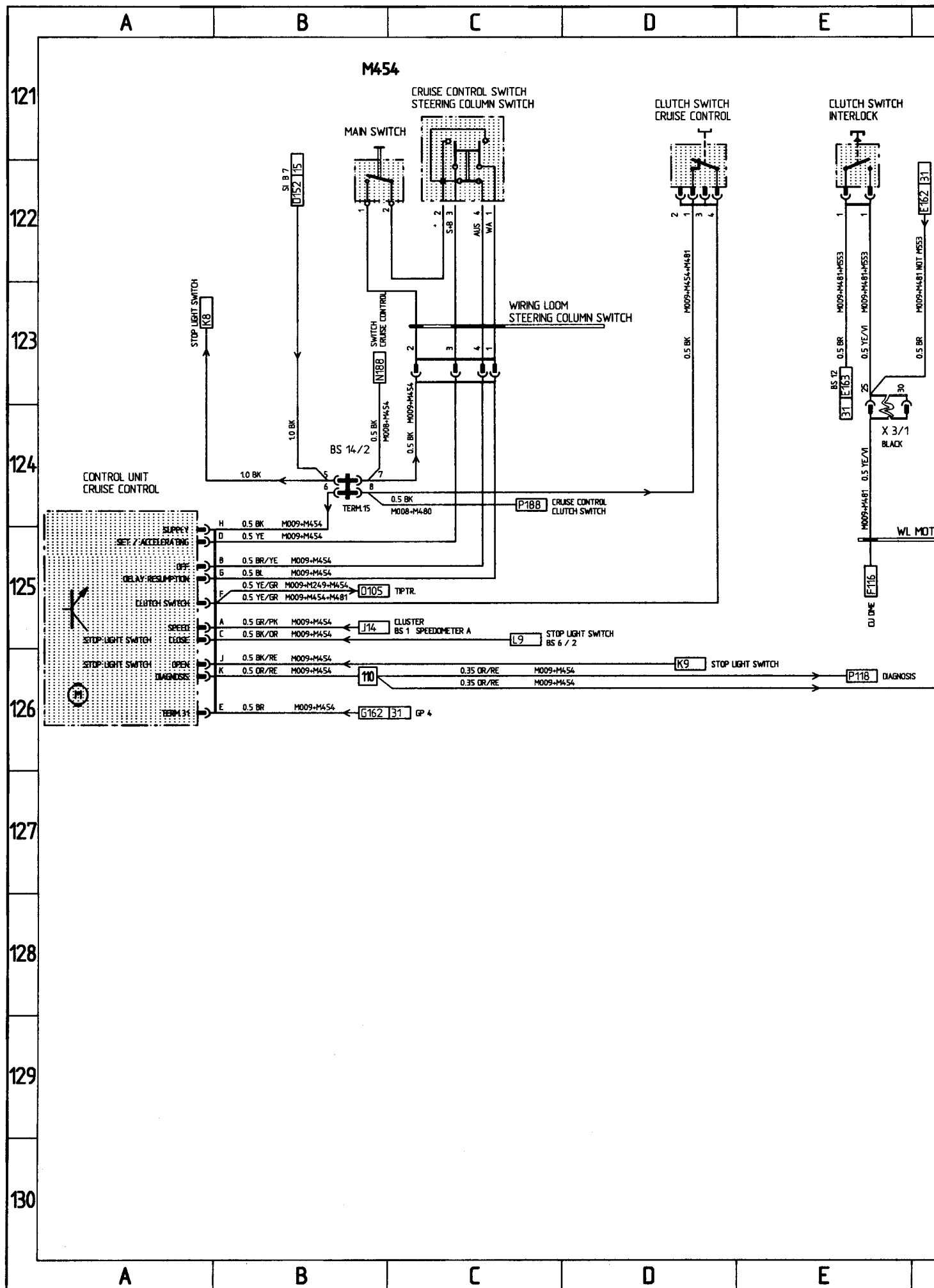
VI = VIOLET

W



Boxster MODEL 99 SHEET 13

CRUISE CONTROL AIRBAG SIDE AIRBAG



F

G

H

J

K

L

SEAT LEFT
SWITCH BELT LOCK

SWITCH BELT LOCK
SEAT RIGHT

CHILDREN SEAT RECOGNITION
PASSENGER'S SIDE
OP UNDER PASSENGER SEAT

E162 31
BS 12

X 16
PIN 1-6 / B1-B4
SEE SH. 6

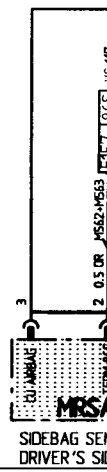
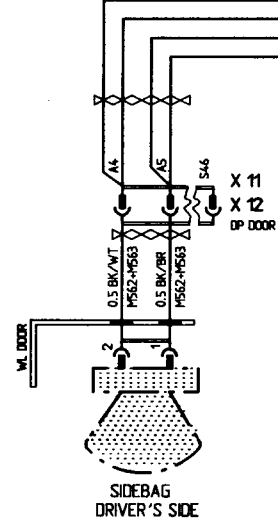
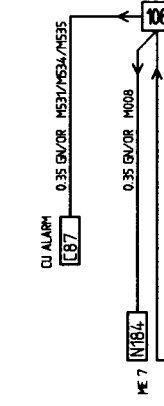
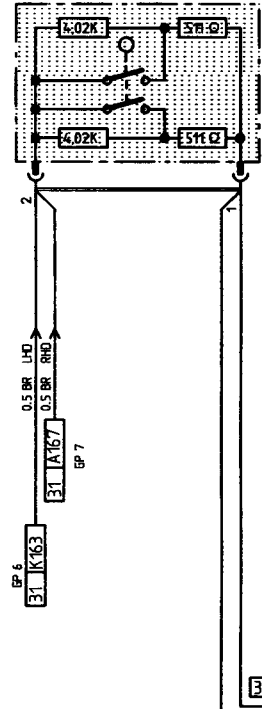
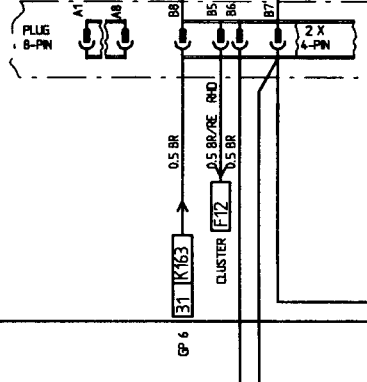
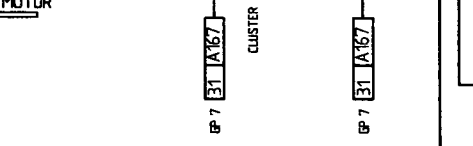
X 17
PIN 1-6 / B1-B4
SEE SH. 6

L MOTOR

SSS

REL TWO-TONE HORNS

TWO-TONE PLUG



F

G

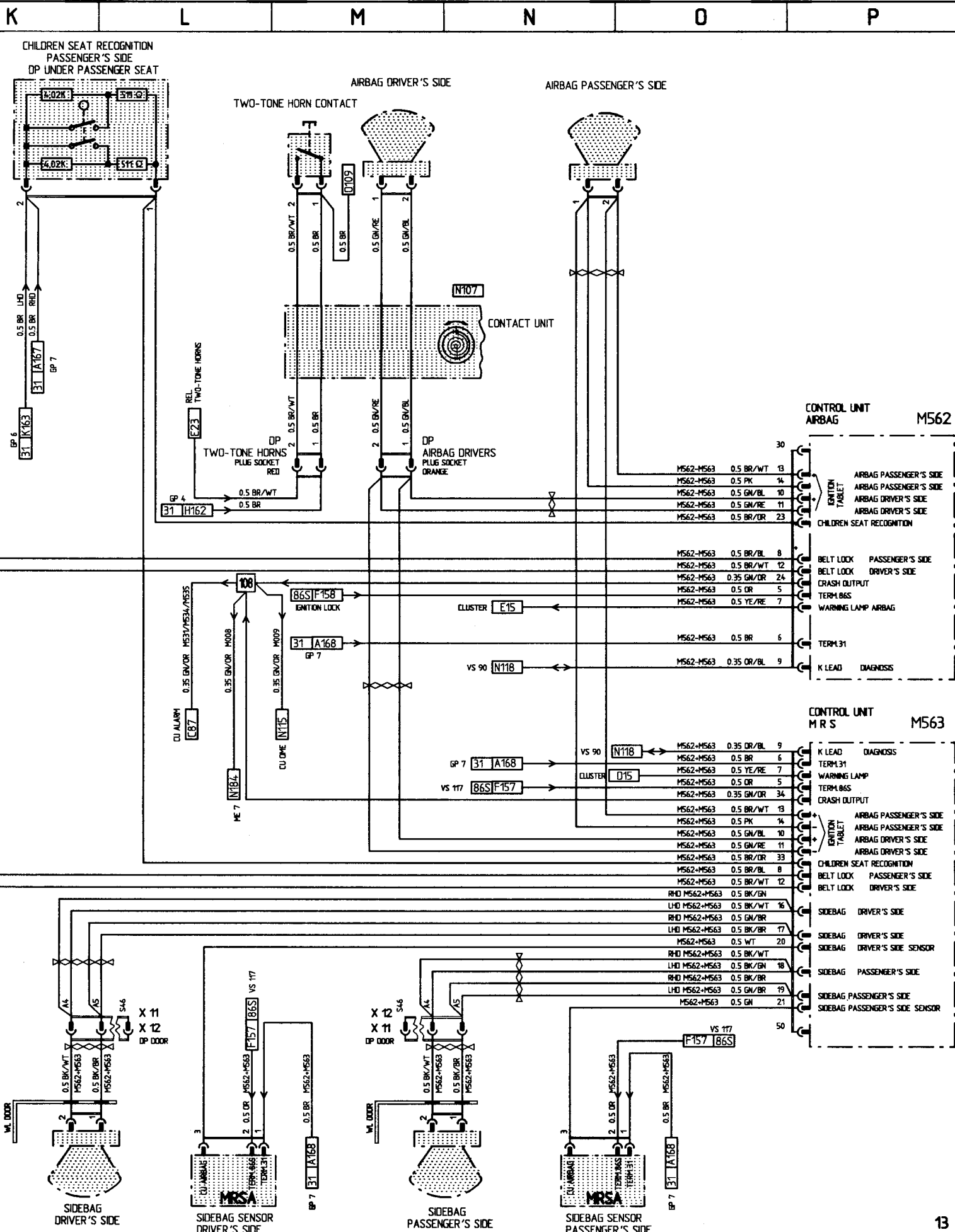
H

J

K

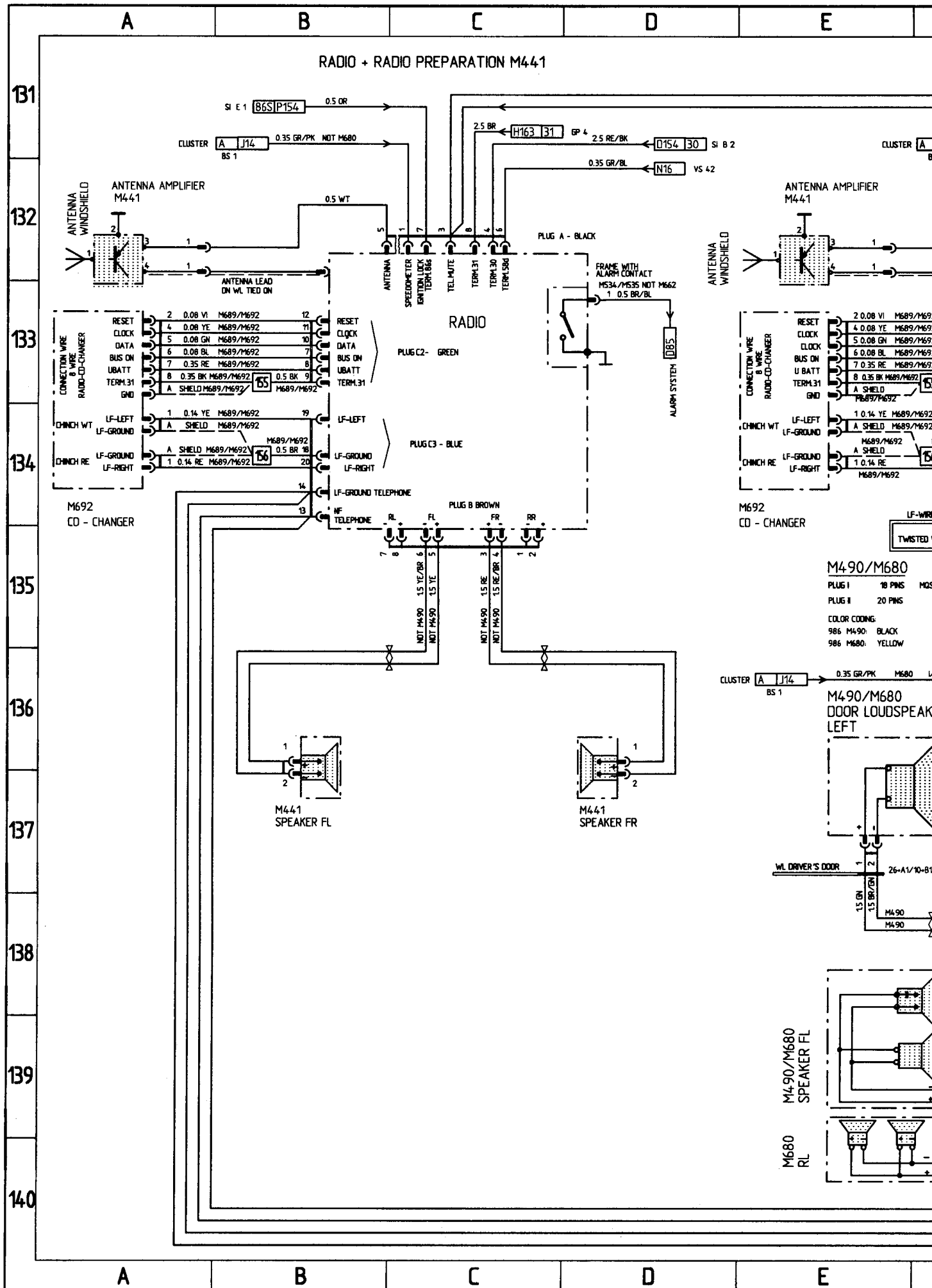
L

BL = BLUE BR = BROWN YE = YELLOW GN = GREEN GR = GREY PK = PINK RE = RED BK = BLACK VI = VIOLET

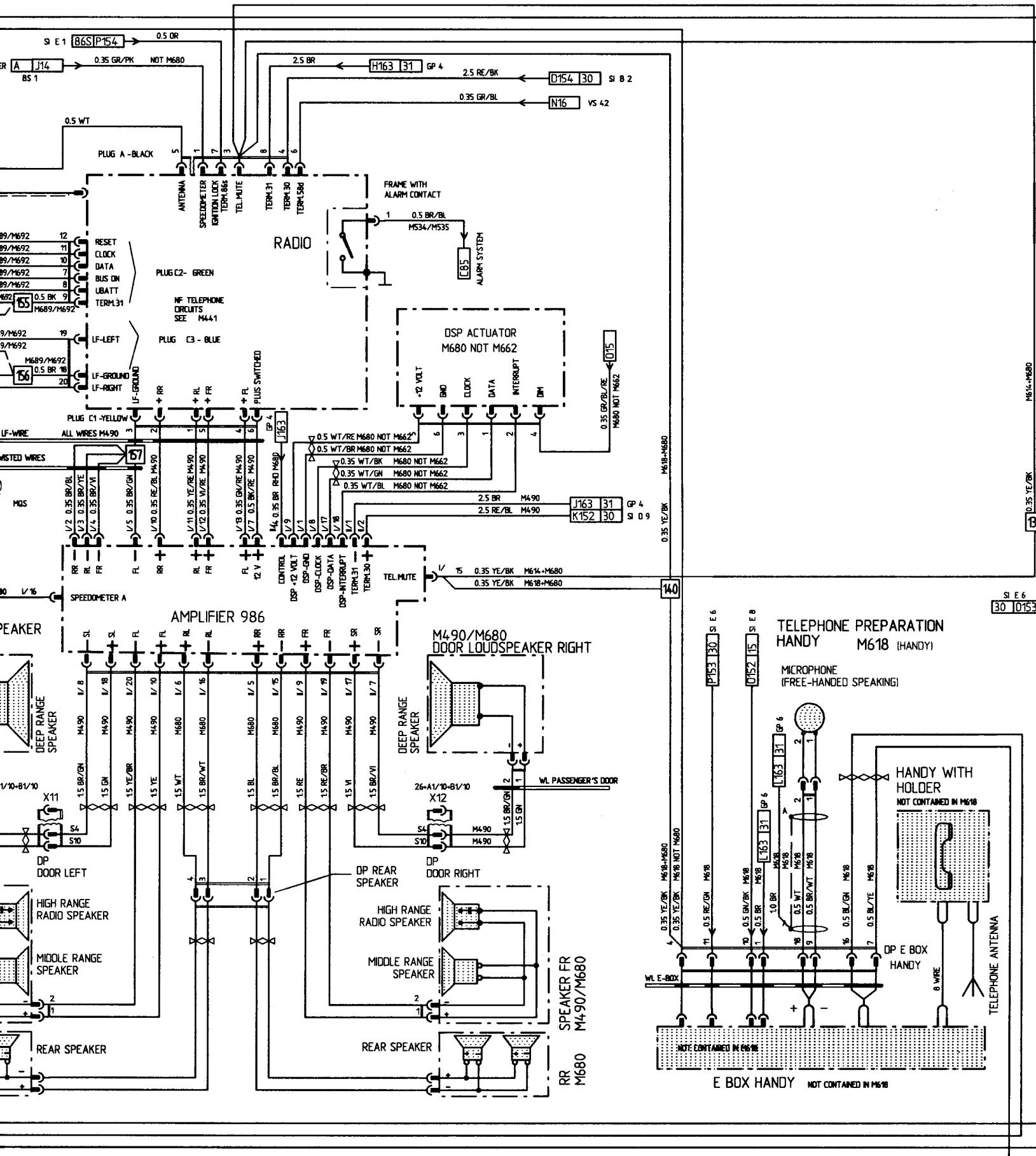


Boxster MODEL 99 SHEET 14

RADIO, TELEPHONE



RADIO AND AUDIO OPTION PACK / DIGITAL SOUND PACKAGE M680
M490

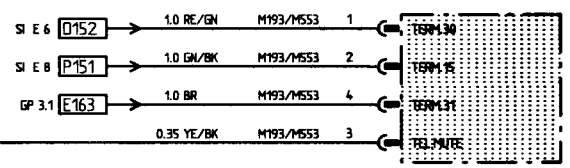


K L M N O P

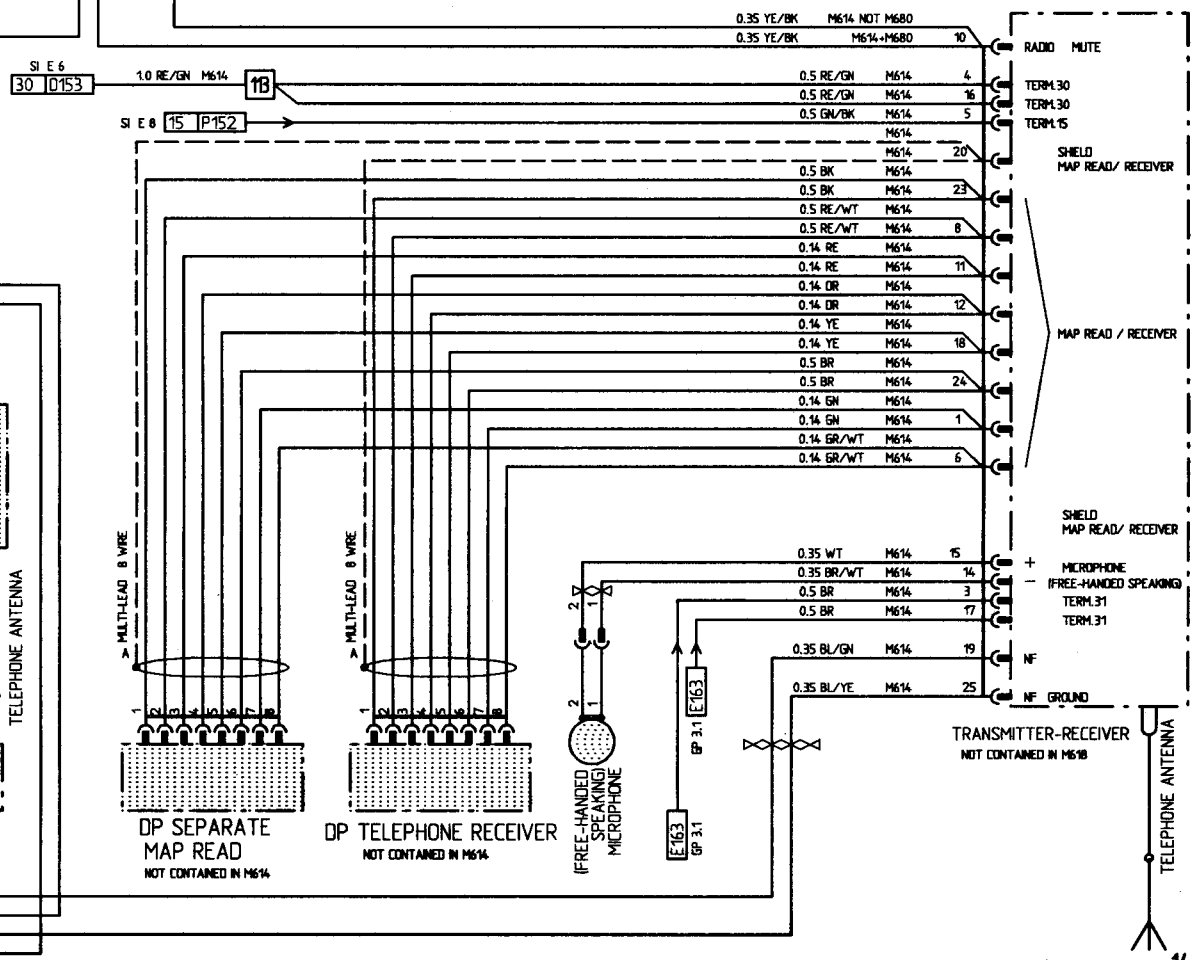
RADIO PLUG:

- | | | |
|----------|--------|-------------------------------|
| PLUG A: | BLACK | SUPPLY |
| PLUG B: | BROWN | SPEAKER |
| PLUG C1: | YELLOW | M490 / AMPLIFIER |
| PLUG C2: | GREEN | CD-CHANGER / CONNECTOR 8-PINS |
| PLUG C3: | BLUE | CD-CHANGER / LF-WIRE |

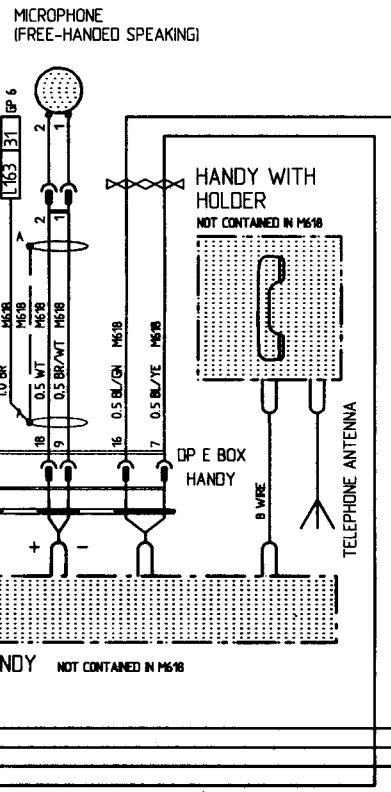
TELEPHONE PREPARATION
M193/M553



TELEPHONE PREPARATION D-NETWORK
M614 (MOTOROLA)



TELEPHONE PREPARATION
HANDY M618 (HANDY)



K L M N O P

Boxster MODEL 99 SHEET 14A

INFOSYSTEM NAVIGATION

	A	B	C	D	E
131					
132					
133					
134					
135					
136					
137					
138					
139					
140					

M490/M680

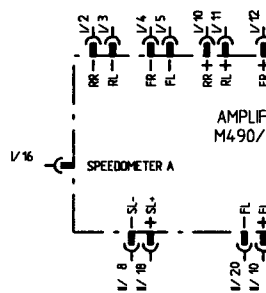
PLUG I = 18 PINS MQS
PLUG II = 20 PINS

COLOR CODING:

986 COUPE: M490 COLOR NATURAL
M680 COLOR GREEN

986 CABRIO: M490 COLOR BLUE
M680 COLOR BROWN

WIRING
SPEAKER
SEE SHEET 14



F

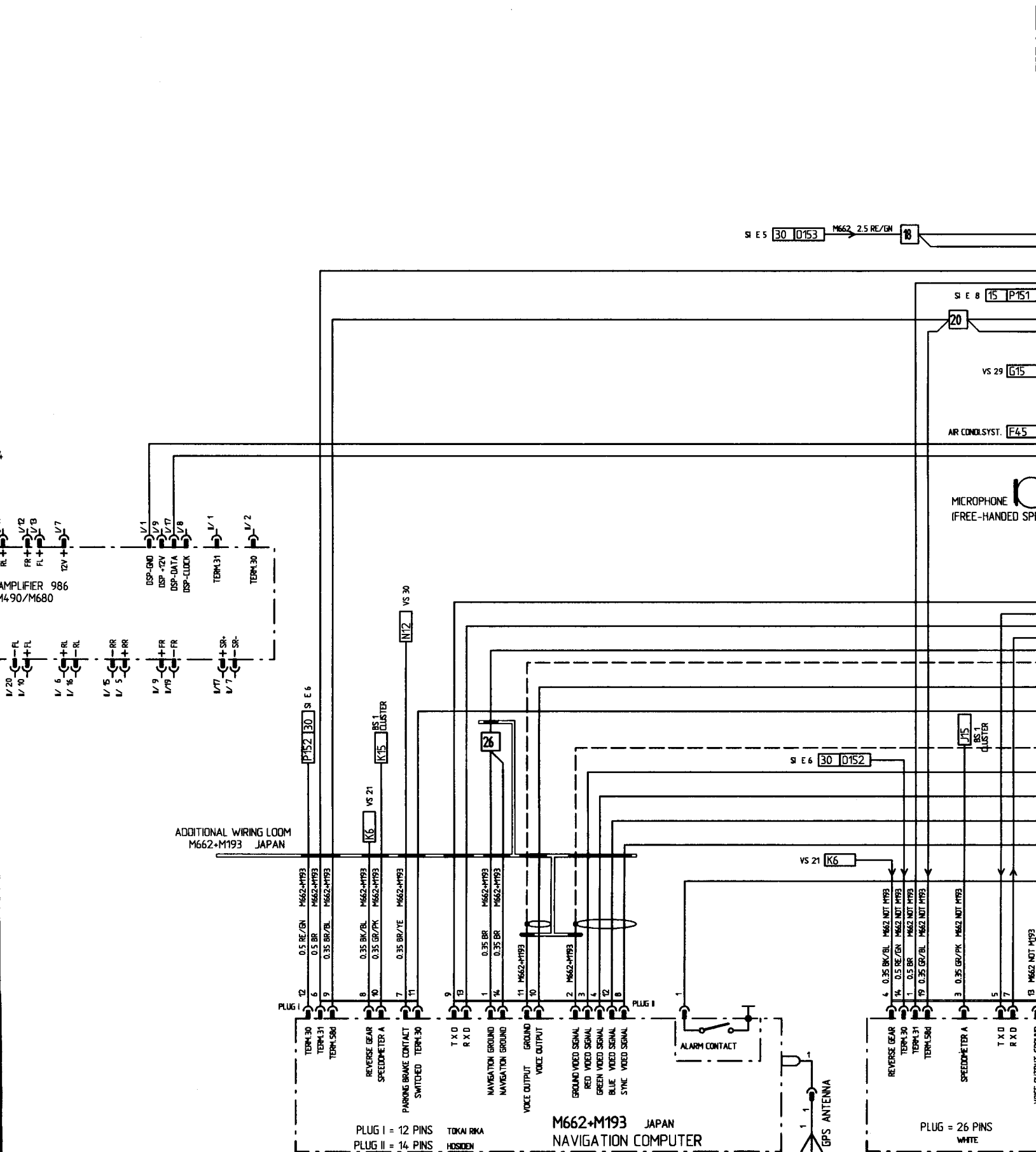
G

H

J

K

L



F

G

H

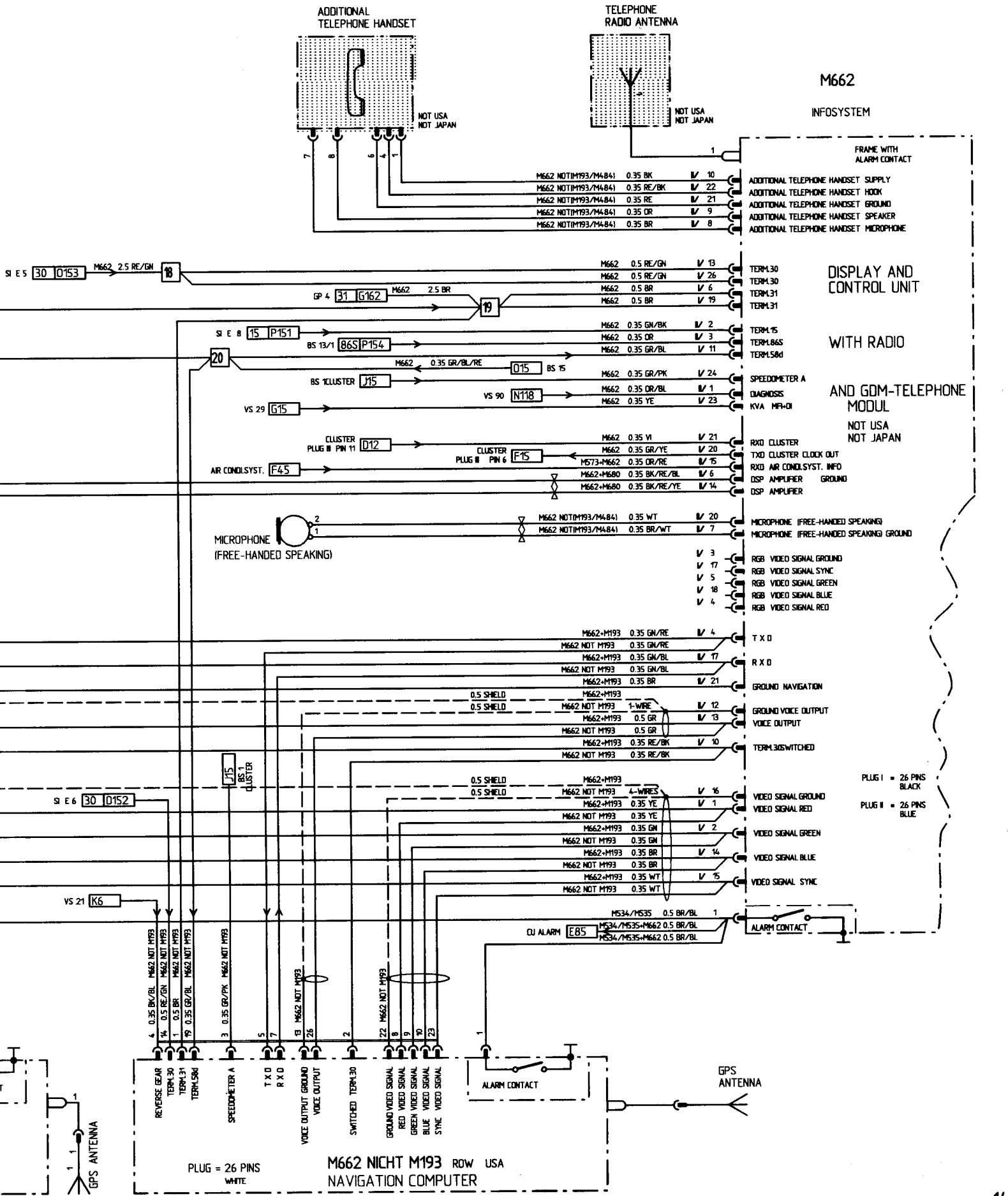
J

K

L

BL = BLUE BR = BROWN YE = YELLOW GN = GREEN GR = GREY PK = PINK RE = RED BK = BLACK VI = VIOLET

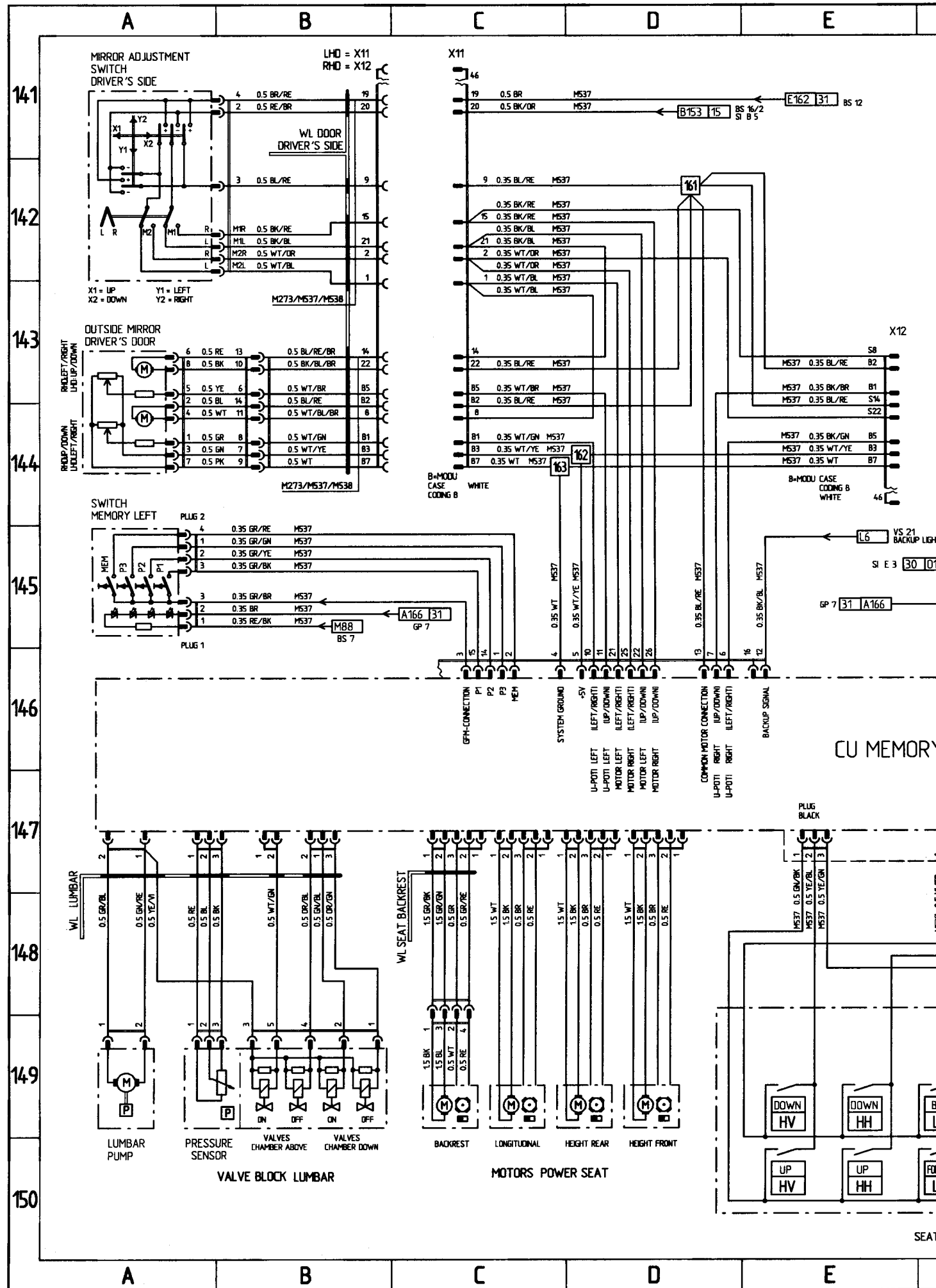
K L M N O P

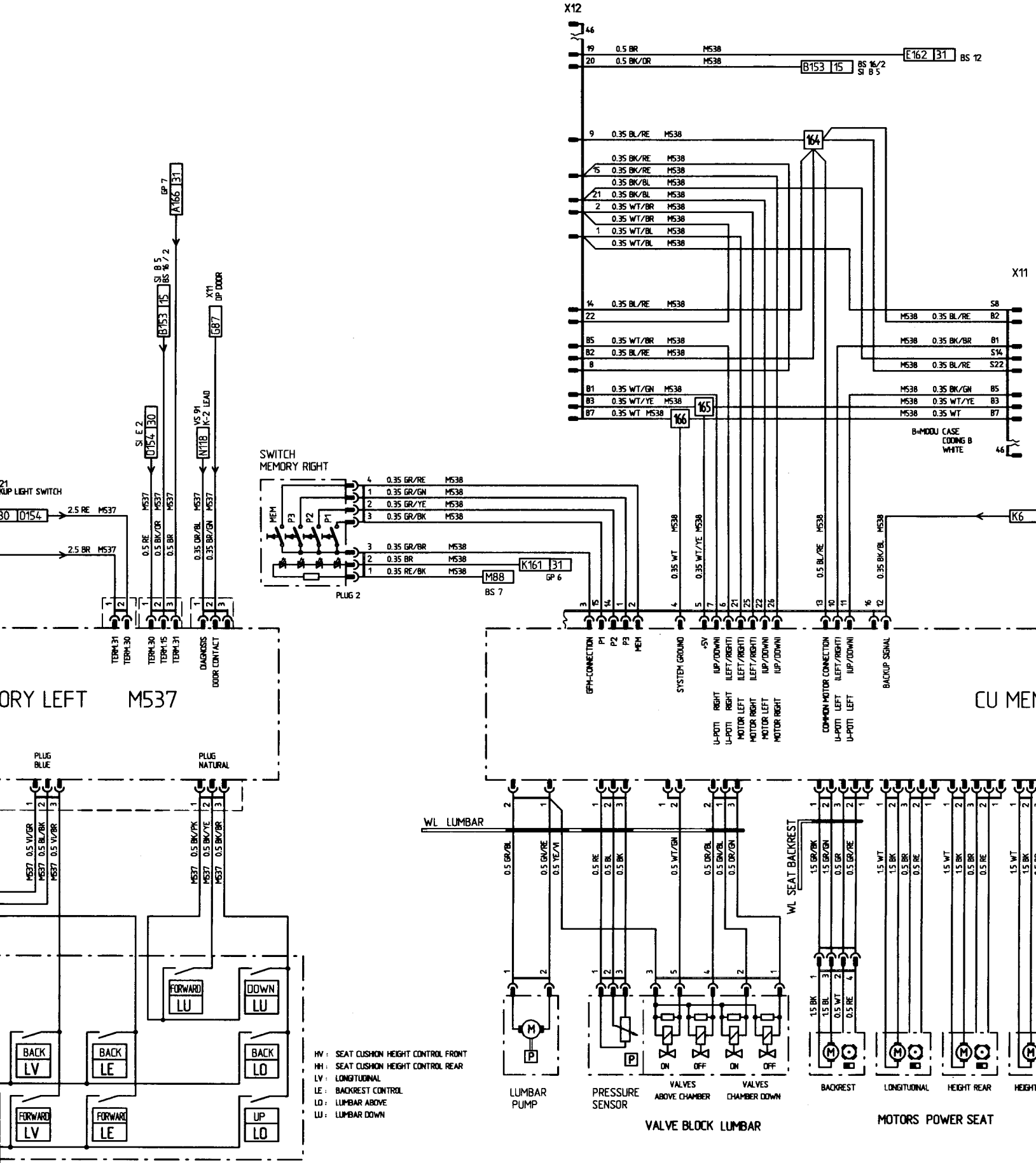


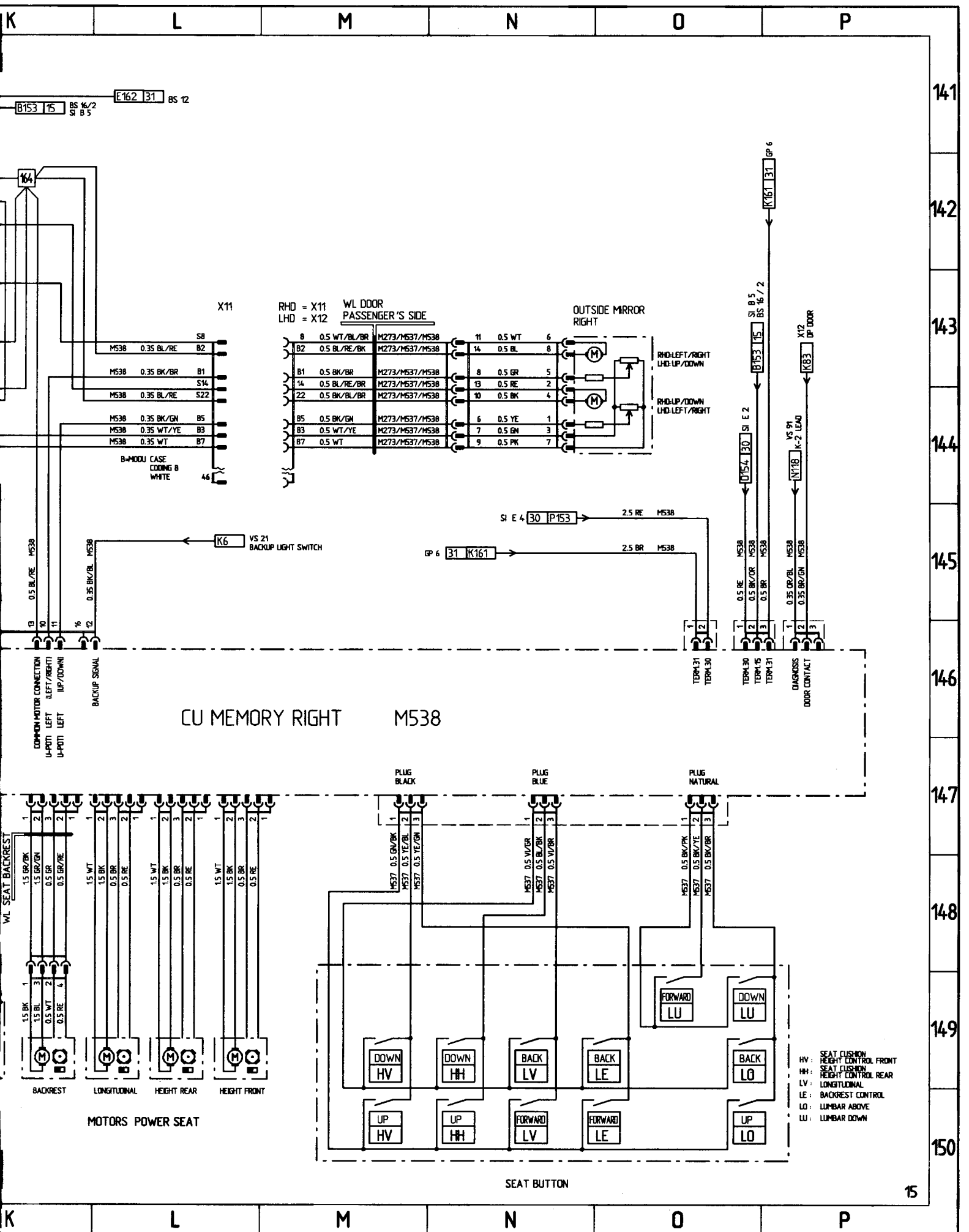
REO BK = BLACK VI = VIOLET WT = WHITE TWISTED WIRES

Boxster MODEL 99 SHEET 15

MEMORY SEAT AND MIRROR

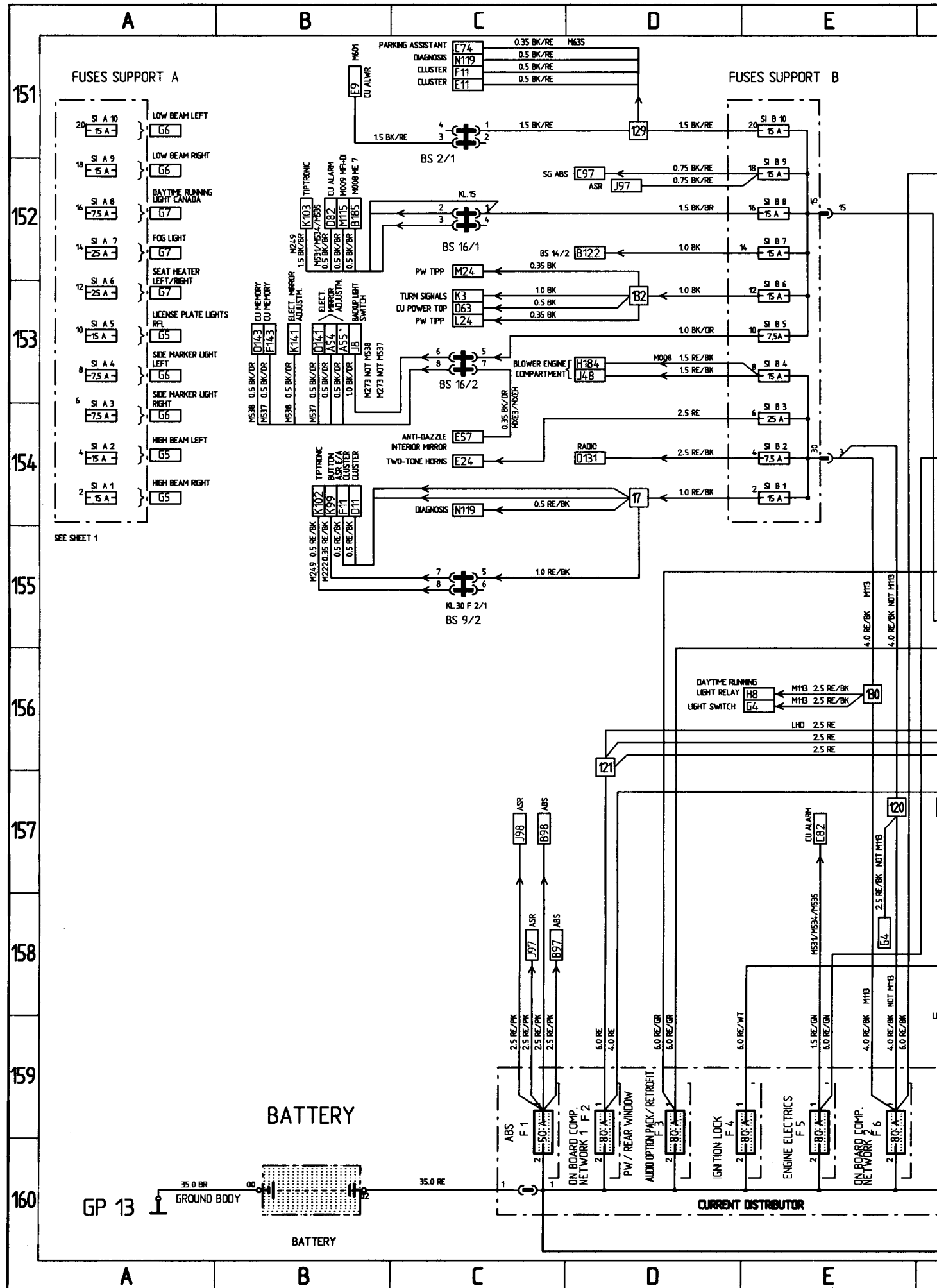






Boxster MODEL 99 SHEET 16

POWER SUPPLY, FUSES



F

G

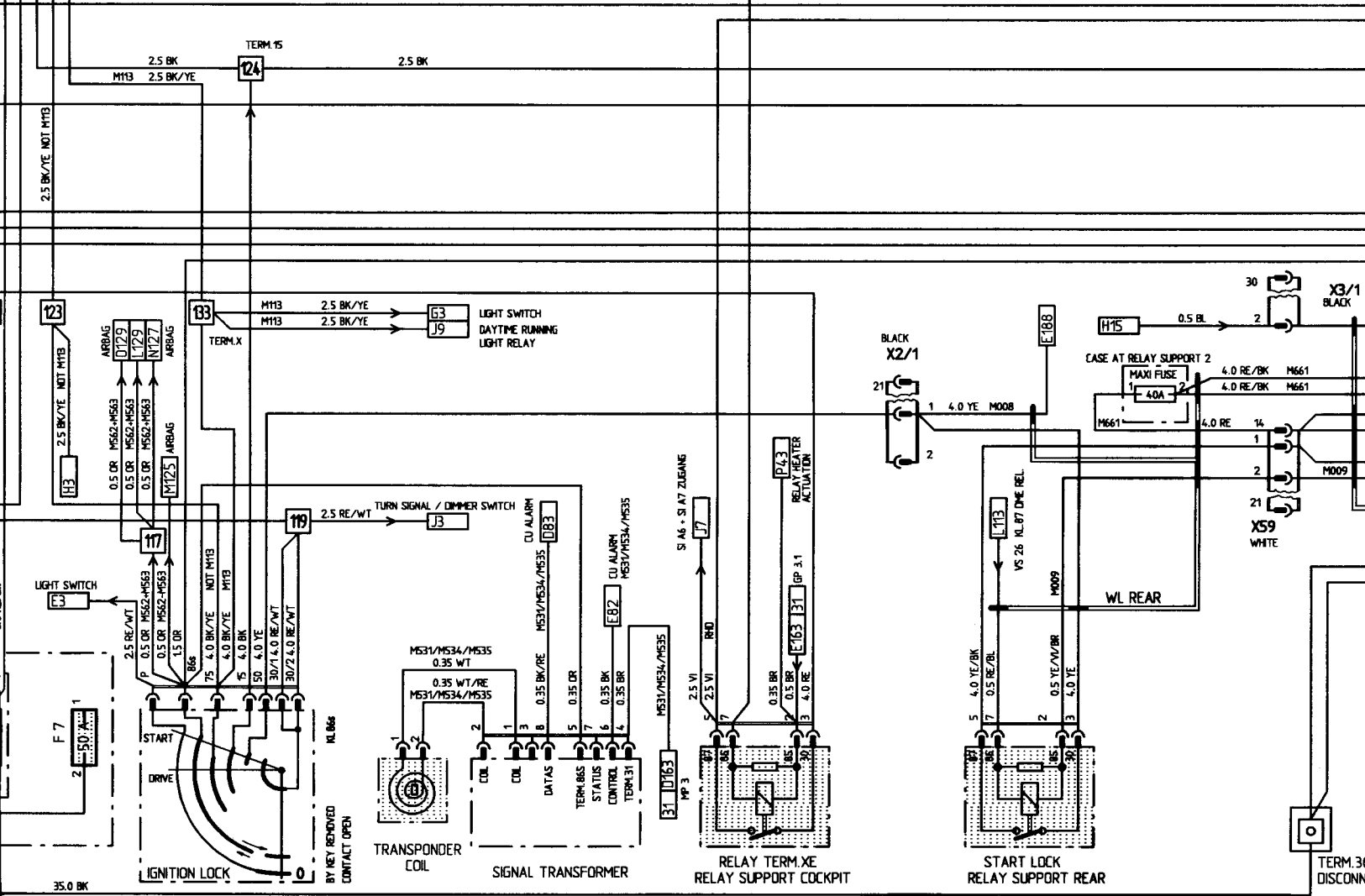
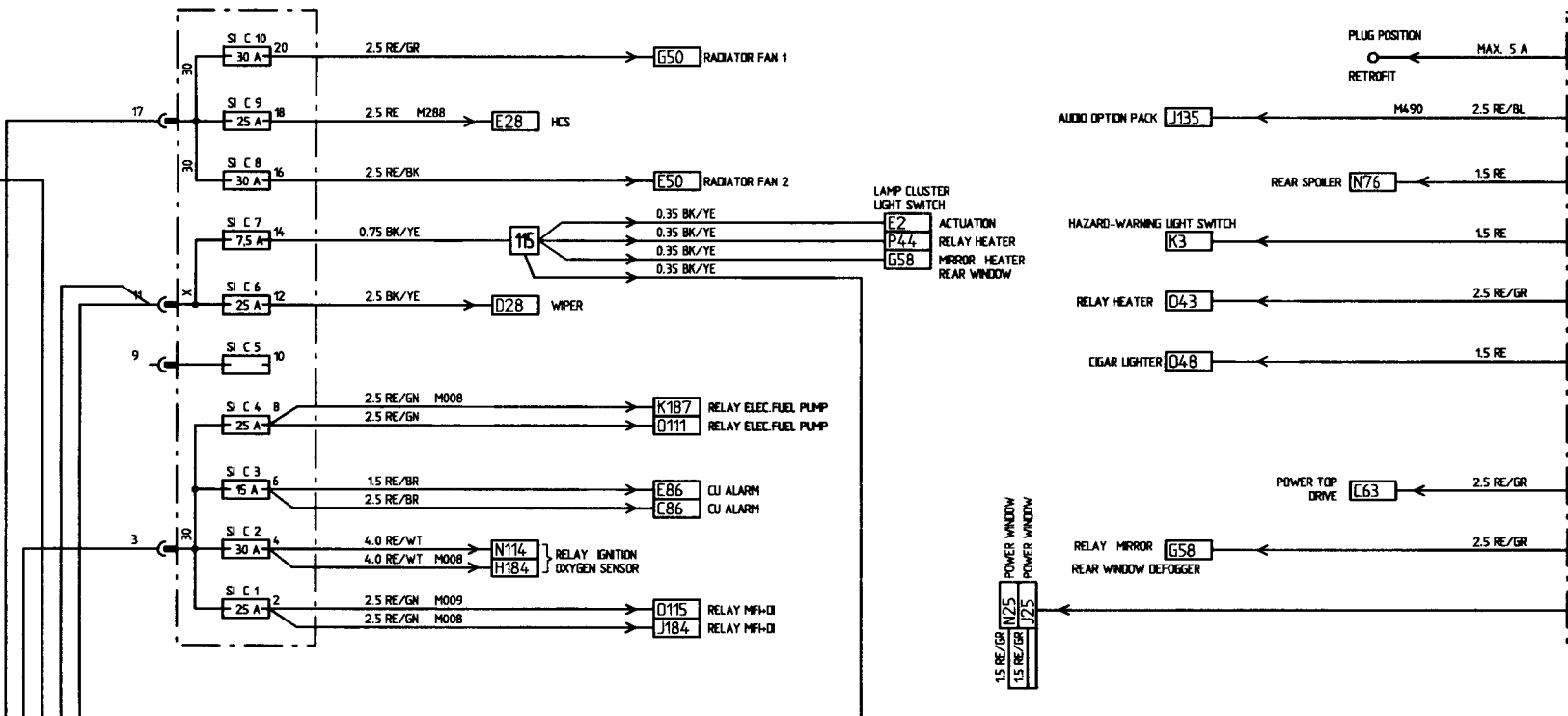
H

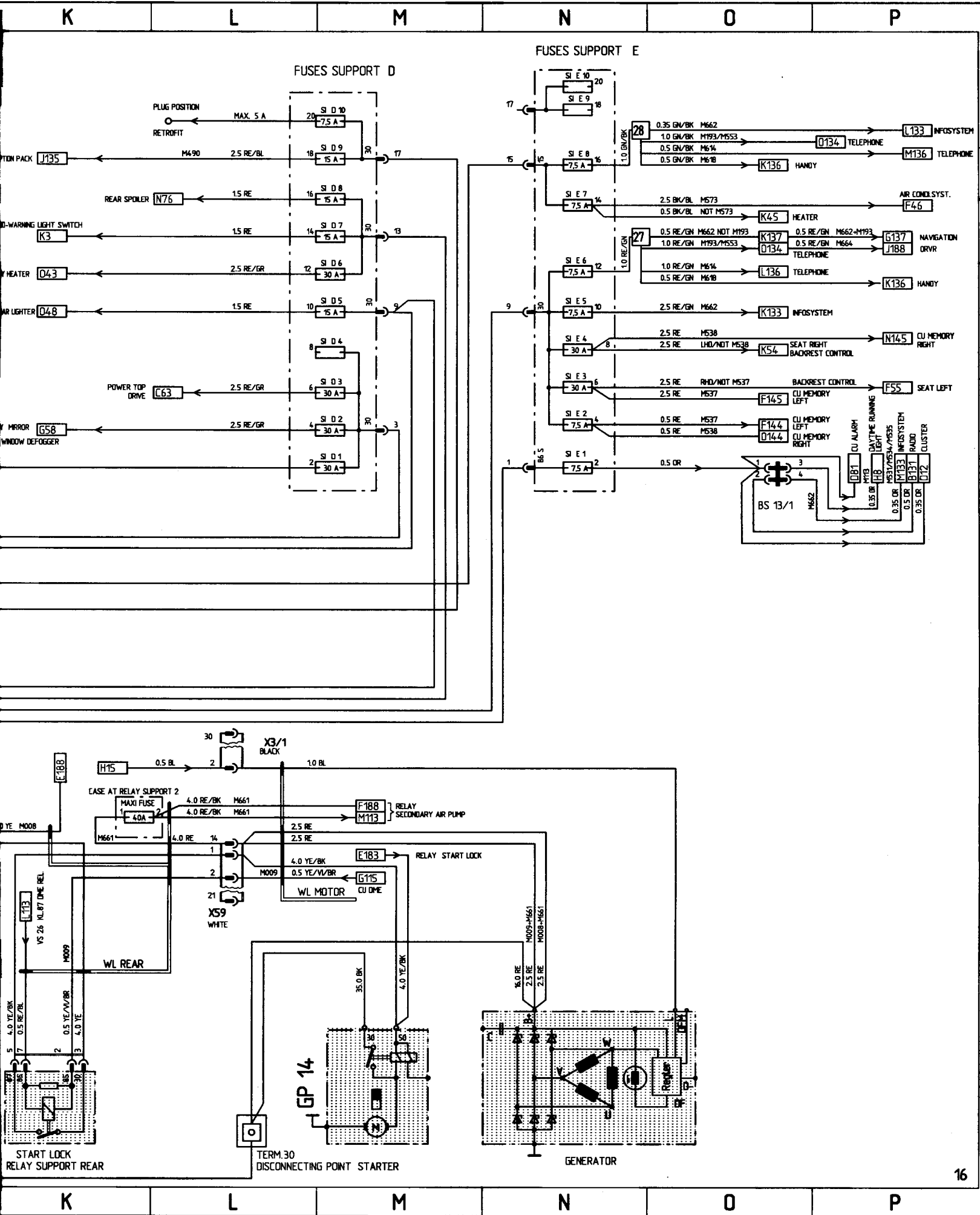
J

K

L

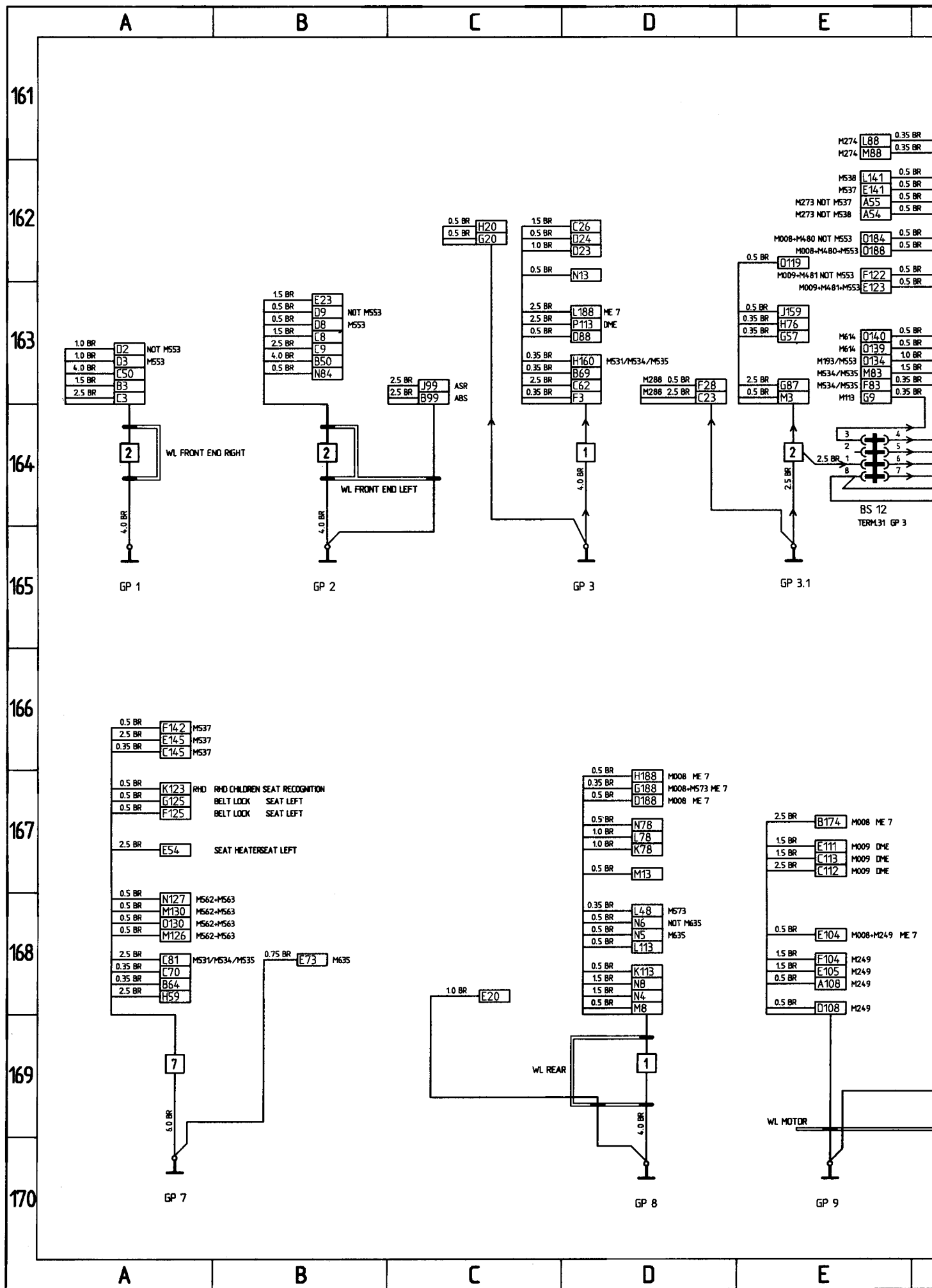
FUSES SUPPORT C





Boxster MODEL 99 SHEET 17

GROUND POINTS



F

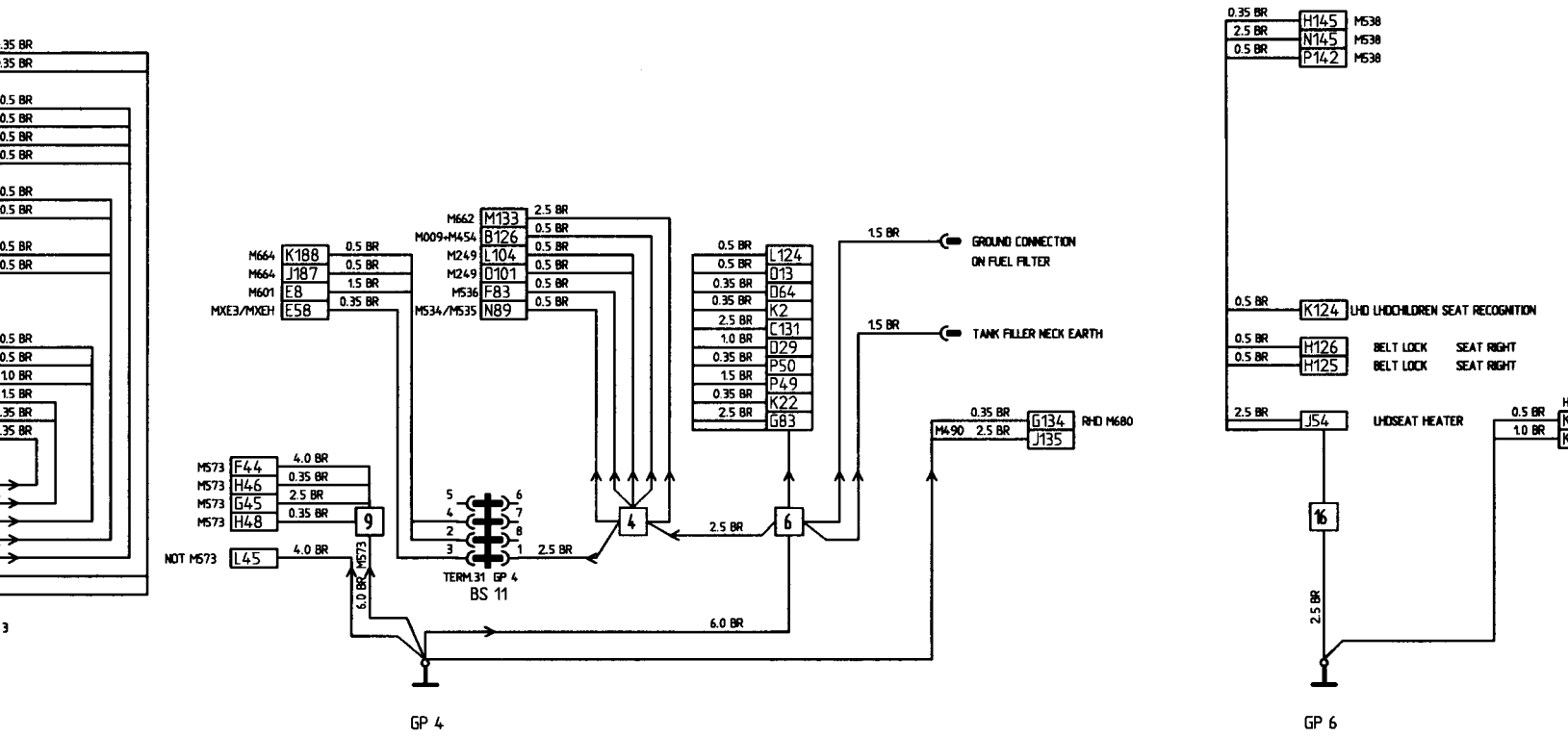
G

H

J

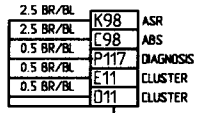
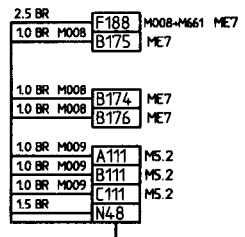
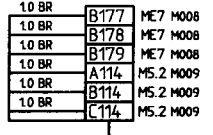
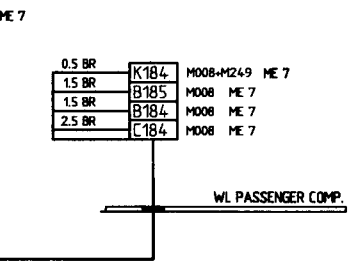
K

L



GROUND IGNITION COIL
CYLINDER
4/5/6

GROUND IGNITION COIL
CYLINDER
1/2/3



GP 10

GP 11

GP 12

ELECTRONICS GROUND

F

G

H

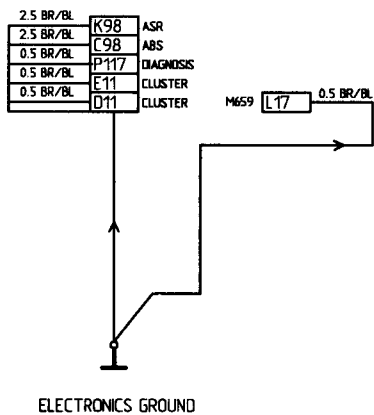
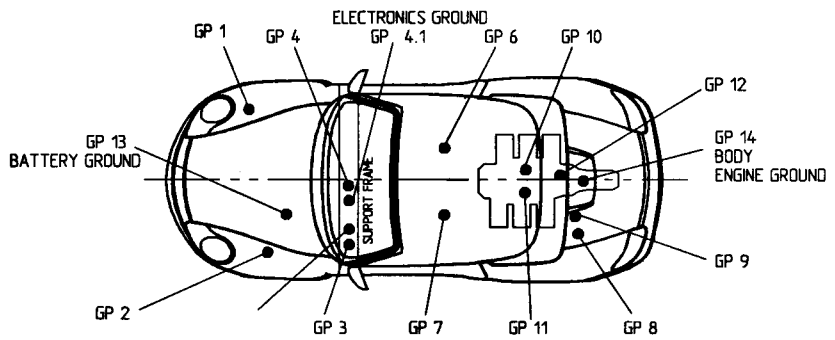
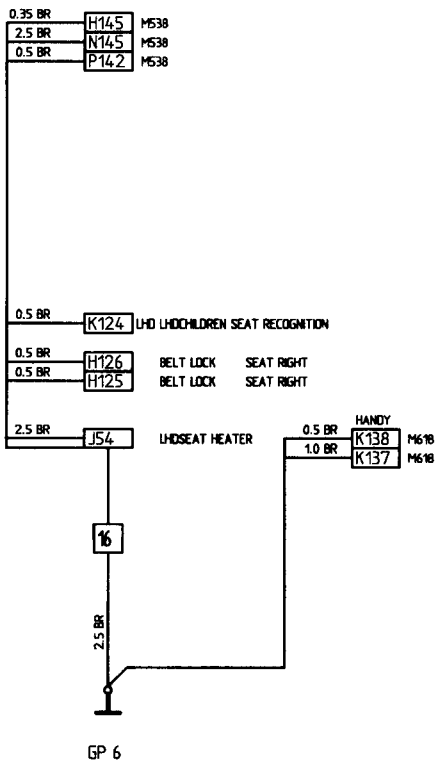
J

K

L

BL = BLUE BR = BROWN YE = YELLOW GN = GREEN GR = GREY PK = PINK RE = RED BK = BLACK VI = VIOLET

K L M N O P



K L M N O P

Boxster MODEL 99 SHEET 18

CONSTRUCTION COMPONENTS

A		B		C		D		E	
CONSTRUCTION COMPONENTS									
DESIGNATION, FUNCTION		POSITION IN VEHICLE		NOTE		FIELD IN WIRING DIAGR.			
		LHD	RHD						
ALARM HORN		5bP	5bM	LEFT OF BATTERY		M81/82			
ANTENNA AMPLIFIER		7bL	7bL	RIGHT ON THE A-PILLAR/EIGHT MIRROR OUTSIDE		A132			
OUTSIDE TEMP. SENSOR		1dM	1dM	ATTACHED TO RB OF PV PART		J20			
STOP LIGHT SWITCH		6cP	6cL	BELOW DASHBOARD	ON BRAKE PEDAL LINKAGE	K10			
BRIDGE PLUG		6cQ	6cL			SIEHE BL.21			
DIAGNOSIS CONNECTION		6cQ	6cQ	LEFT BELOW DASHBOARD		N/0120			
ENGINE SPEED SENSOR		13cO	13cO			A115			
THROTTLE VALVE SENSOR		11cO	11cO			A/B118/119			
PRESSURE SWITCH AIR CONDITIONING SYSTEM		5bM	5bP	IN FRONT OF AIR CLEANER		H50			
TWO-TONE HORNS		1dM	1dM	ABOVE UNDERSIDE PANEL		D/E21			
BLOWER ENGINE COMPARTMENT		12cQ	12cQ			N50			
BLOWER MOTOR RIGHT		3cL	3cL	UNDER MAIN HEADL. ON PU PART		C49/50			
BLOWER MOTOR LEFT		3cQ	3cQ	UNDER MAIN HEADL. ON PU PART		A49/50			
HALL SENSOR		12cM	12cM			A/B116			
HYDRAULIC UNIT ABS		4cQ	4cQ	FRONT LUGGAGE COMPARTMENT LEFT		B-692/93			
ABS/ABD HYDRAULIC UNIT		4cQ	4cQ	FRONT LUGGAGE COMPARTMENT LEFT		J-092/93			
KICK-DOWN SWITCH		5cO	5cL	UNDER THE ACCELERATOR PEDAL		D/P102			
KNOCK SENSOR CYL.1-3		12cL	12cL			A/B117			
KNOCK SENSOR CYL.4-6		12cQ	12cQ			A/B117			
FUEL PUMP		5dO	5dO	IN THE TANK UNDER THE BATTERY					
CLUTCH SWITCH CRUISE CONTROL		5dQ	5dN	AT CLUTCH PEDAL		P111			
INSTRUMENT CLUSTER		6pB	6mB			F122			
OXYGEN SENSOR UPSTR.CATCYL. 1/3		14dQ	14dQ			H111			
OXYGEN SENSOR UPSTR.CATCYL. 3/6		14dL	14dL			H111			
OXYGEN SENSOR BEHIND CATCYL. 1/3		16dQ	16dQ			J111			
OXYGEN SENSOR BEHIND CATCYL. 3/6		16dL	16dL			J111			
IDLE SPEED POSITIONER		13cO	13cO			J120			
MASS AIR FLOW SENSOR		13cO	13cO			K/L120			
MICRO SWITCH CONVERTIBLE TOP UNLOCK		9aO	9aO	AT WIND COURSE FRAME		B70			
MICRO SWITCH CONVERTIBLE TOP LOCK		9aN	9aN	AT WIND COURSE FRAME		B70			
MICRO SWITCH VDKO CLOSE		13bN	13bN	IN REAR LUGGAGE COMPARTMENT		B62			
MICRO SWITCH CONVERTIBLE TOP CLOSED		12bQ	12bQ	B-PILLAR LEFT		C70			
NAVIGATION COMPUTER		6cO	6cO			G-N140			
NTC TEMPERATURE FOR INTAKE AIR						A115			
OIL PRESSURE SENSOR/SWITCH						J11			
OIL LEVEL SENSOR						K11			
OIL TEMPERATURE SENSOR						K11			
DRVR		5cO	---			J190			
SWITCH LIFTING		15dN	15dN	ON GEARBOX		B109/110			
PEDAL VALUE SENSOR		5dP	5dM			K190			

F

G

H

J

K

L

N
DIAGRAM

2

BL.21

0

3/119

0

0

5

/93

/93

2

7

7

0

0

110

a
b
c
d
eK
L
M
N
O
P
Q
R

DESIGNATION, FUNCTION	POSITION IN VEHICLE		NOTE	FIELD IN WIRING DIAGRAM
	LHD	RHD		
RELAY AC COMPRESSOR	15bQ	15bQ	REAR LUGGAGE COMPARTMENT LEFT, ON RELAY SUPPORT 2	L50
RELAY FLASHER	6cQ	6cL	FOOTWELL LEFT ON RELAY SUPPORT 1	M1
RELAY MFI+DI	15bQ	15bQ	REAR LUGGAGE COMPARTMENT LEFT, ON RELAY SUPPORT 2	L/M111
RELAY FUEL PUMP	6cQ	6cL	FOOTWELL LEFT ON RELAY SUPPORT 1	N111
RELAY POWER TOP	6cQ	6cL	FOOTWELL LEFT ON RELAY SUPPORT 1 DOUBLE RELAY	A-E65-67
RELAY TWO-TONE HORN	6cQ	6cL	FOOTWELL LEFT ON RELAY SUPPORT 1	E21
RELAY ACTUATION HEATING	6cQ	6cL	FOOTWELL LEFT ON RELAY SUPPORT 1	N41
RELAY RADIATOR FAN 1 STAGE 1	6cQ	6cL	FOOTWELL LEFT ON RELAY SUPPORT 1	F50
RELAY RADIATOR FAN 1 STAGE 2	6cQ	6cL	FOOTWELL LEFT ON RELAY SUPPORT 1	G50
RELAY RADIATOR FAN 2 STAGE 1	6cQ	6cL	FOOTWELL LEFT ON RELAY SUPPORT 1	D50
RELAY RADIATOR FAN 2 STAGE 2	6cQ	6cL	FOOTWELL LEFT ON RELAY SUPPORT 1	E50
RELAY TERM.X	6cQ	6cL	FOOTWELL LEFT ON RELAY SUPPORT 1	J160
RELAY ENGINE COMPARTMENT CLEANER FAN	15bQ	15bQ	REAR LUGGAGE COMPARTMENT LEFT, ON RELAY SUPPORT 2	K/L50
RELAY FOG LIGHT SWITCH OFF USA/JAPAN	6cQ	6cL	FOOTWELL LEFT ON RELAY SUPPORT 1	E10
RELAY SECONDARY AIR PUMP	15bQ	15bQ	REAR LUGGAGE COMPARTMENT LEFT, ON RELAY SUPPORT 2	M111
RELAY MIRROR / REAR WINDOW DEFOGGER	6cQ	6cL	FOOTWELL LEFT ON RELAY SUPPORT 1	G60
RELAY SPOILER EXTENSION	15bQ	15bQ	REAR LUGGAGE COMPARTMENT LEFT, ON RELAY SUPPORT 2	K80
RELAY SPOILER RETRACTION	15bQ	15bQ	REAR LUGGAGE COMPARTMENT LEFT, ON RELAY SUPPORT 2	L80
RELAY START LOCK	15bQ	15bQ	REAR LUGGAGE COMPARTMENT LEFT, ON RELAY SUPPORT 2	K160
RELAY DAYTIME RUNNING LIGHT	6cQ	6cL	FOOTWELL LEFT ON RELAY SUPPORT 1 DOUBLE RELAY	G/H10
RELAY HCS	6cQ	6cL	FOOTWELL LEFT ON RELAY SUPPORT 1	F30
RELAY WIPER INTERMITTENT CONTROL	6cQ	6cL	FOOTWELL LEFT ON RELAY SUPPORT 1	E30
RELAY IGNITION / OXYGEN SENSOR	15bQ	15bQ	REAR LUGGAGE COMPARTMENT LEFT, ON RELAY SUPPORT 2	L111
BACKUP LIGHT SWITCH	14dN	14dN	ON GEARBOX	J10
WINDSHIELD WASHING FLUID PUMP	6dQ	6dQ	ON WASHER TANK REAR	D21
SECONDARY AIR PUMP	12bM	12bM		F/G111
FUSES SUPPORT	6dQ	6dL	ON THE A-PILLAR IN FOOTWELL	A-P151-154
PREDETERMINED MELTING AREAS	6cN	6cN	PASSENGER'S FOOTWELL	C-F159/160
HEADLIGHT CLEANER PUMP	6dQ	6dQ	WINDSHIELD WASHER PUMP	C21
STARTER	13cN	13cN		M160
CONTROL UNIT ABS	4cQ	4cQ	FRONT LUGGAGE COMPARTMENT LEFT	B-G94
CONTROL UNIT AIRBAG	7dN	7dN	FLOOR PANEL CENTER CONSOLE	D/P125/126
CONTROL UNIT ALARM SYSTEM/CENTRAL LOCKING SYSTEM	10dP	10dP	UNDER THE DRIVER SEAT	A82-88
CONTROL UNIT ALWR	6cM	6cP		DG10
CONTROL UNIT MFI+DI	15cP	15cP		CDE111-120
CONTROL UNIT HEATING, AIR CONDITIONING	6bD	6bD	IN CONTROL UNIT	A-E41/42
CONTROL UNIT CRUISE CONTROL WITH DRIVE MOTOR	6cD	6dM	L. ABOVE FOOTWELL OUTLET NOZZLE	A/B125/126
CONTROL UNIT TIPTRONIC TRANSMISSION	15cN	15cN	IN REAR LUGGAGE COMPARTMENT	C-H101/102
LIGHTS ON BUZZER	6bP	6bP	IN CLUSTER	A/B15
TANK FILLING DETECTION	6bL	---		J190
FUEL LEVEL SENSOR	5dD	5dD	IN THE TANK UNDER THE BATTERY	P111
TANK VENTING VALVE	6cK	6cK		K120
AMPLIFIER	6bN	6bN	IN LUGGAGE COMPARTMENT RIGHT REAR	F/G135/136

F

G

H

J

K

L

K

L

M

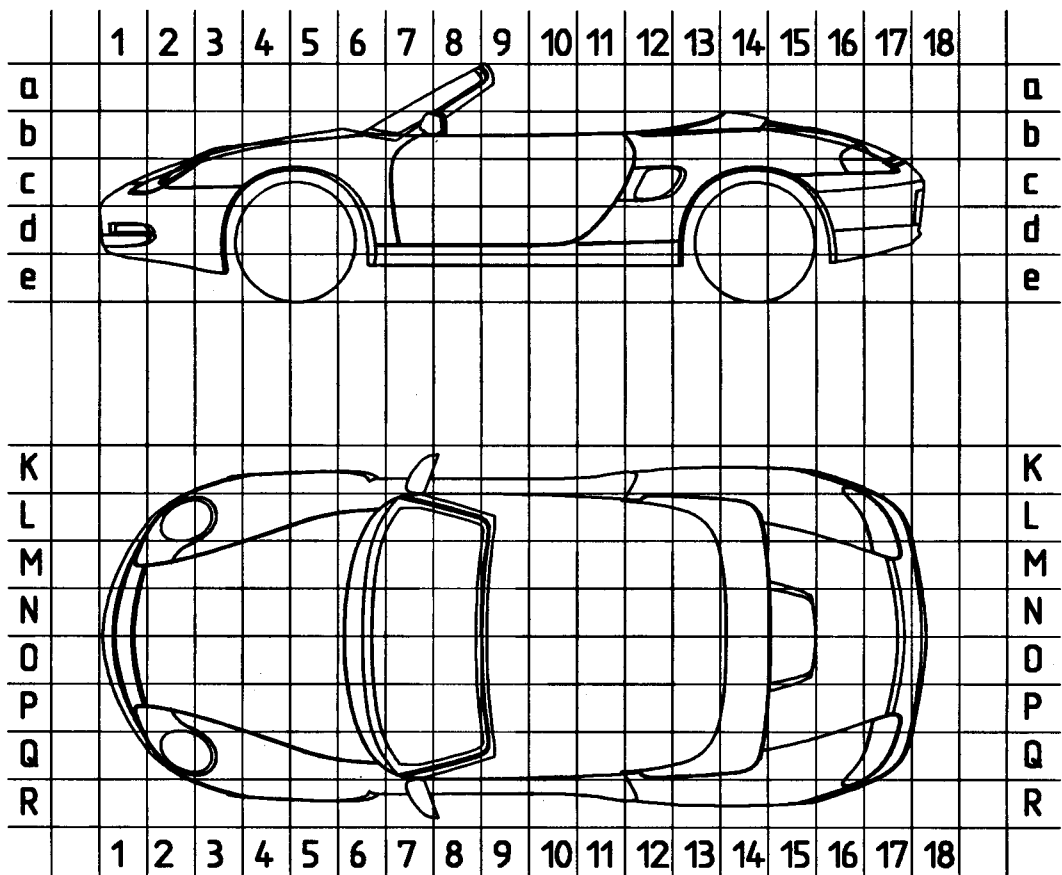
N

O

P

FIELD IN
WIRING DIAGRAM

Y SUPPORT 2	L50
1	M1
Y SUPPORT 2	L/M111
1	N111
1 DOUBLE RELAY	A-E65-67
1	E21
1	N41
1	F50
1	G50
1	D50
1	E50
1	J160
Y SUPPORT 2	K/L50
1	E10
Y SUPPORT 2	M111
1	G60
Y SUPPORT 2	K80
Y SUPPORT 2	L80
Y SUPPORT 2	K160
1 DOUBLE RELAY	G/H10
1	F30
1	E30
Y SUPPORT 2	L111
	J10
	D21
	F/G111
	A-P151-154
	C-F159/160
	C21
	M160
	B-G94
	D/P125/126
	AB2-88
	DG10
	CDE111-120
	A-E41/42
	A/B125/126
	C-H101/102
	A/B15
	J190
	P111
	K120
	F/G135/136



K

L

M

N

O

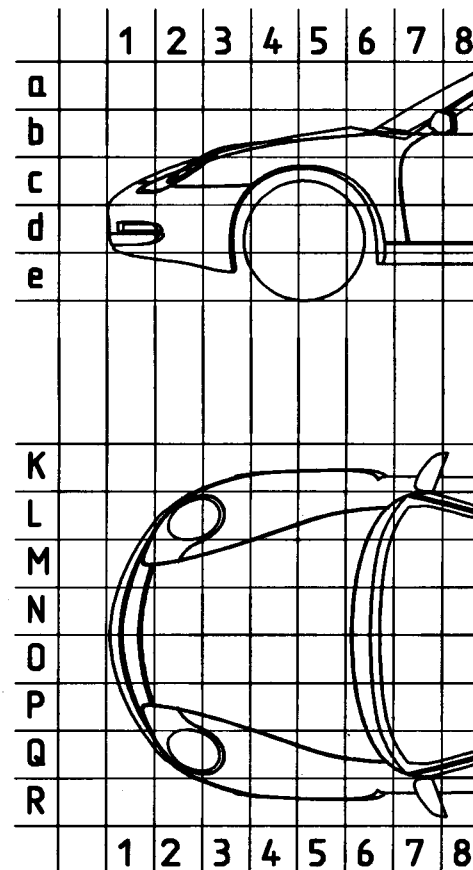
P

ABBREVIATIONS

FIELD IN WIRING DIAGRAM	
PORT FRONT LEFT WHITE	D7/8, J17, D24, C48, M84, B96, J96,
BLACK	D4/5, C49,
BLACK	J8, G13, M47, L118, F124, L157, M185,
BLUE	J103-106
BLACK	B63,
BLACK	J23-24, C56, H-K88, LM129 F137, L143,
BLACK	N23-24, C54, H-K83, LM129 H137, E143,
BLACK	H58
WHITE	F53, G123,
BLACK	M53, H123,
BLACK	K44
BLACK	C-D43
BLACK	A-B43
BLACK	M8,
WHITE	M7, L13, M48, H112, L158, C-G185,
WHITE	C59,
WHITE	C52,
BLACK	M6, M14, J48, N113, J157, J185,
YELLOW	F18, J46, M76, M87, G96, N96, N114, H185,
BLACK	G8

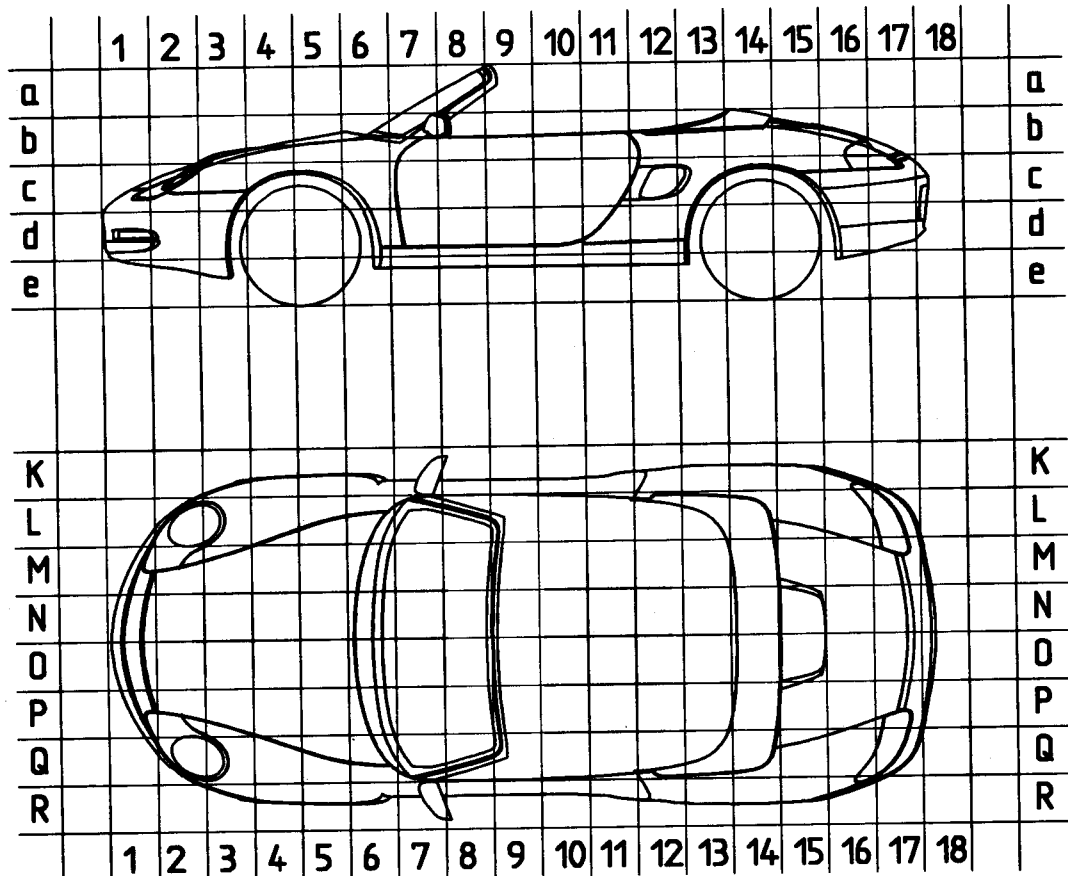
CODE	MEANING	CODE	MEANING
AAV	CARBON CANISTER SHUTOFF VALVE	HA	REAR AXLE
ABD	AUTOMATIC BRAKE DIFFERENTIAL	HF	HIGH FREQUENCY
ABS	ANTILOCK BRAKING SYSTEM	HFM	HOT-FILM A
AC	AIR CONDITIONING SYSTEM	HL	REAR LEFT
AGR	EXHAUST GAS RECIRCULATION	HR	REAR RIGHT
ALWR	AUTOM. HEADLIGHT VERTICAL AIM CONTROL	KL	TERMINAL
ASR	ANTI-SKID REGULATOR	KLS	COMBINED S
ATF	OUTSIDE TEMP. SENSOR	KS	WIRING LOO
BKV	BRAKE BOOSTER	KVA	FUEL CONSL
BS	BRIDGE PLUG	LED	LIGHT-EMIT
BVA	BRAKE PAD WEAR DISPLAY	LL	LEFT-HAND
C A N	SERIAL DATA TRANSFER	LWR	HEADLIGHT
CLOCK	CLOCK SIGNAL	ME	MOTRONIK V
DATA	DATA SIGNAL	MMI	ENGINE ACT
DF	SPEED SENSOR	MMR	NOMINAL TO
DFA	ENGINE-SPEED SENSOR OUTPUT	MP	GROUND FOR
DG	ENGINE SPEED SENSOR	NF	LOW FREQUE
DK	THROTTLE VALVE	NL	FOG LIGHT
DKG	THROTTLE VALVE SENSOR	NR	NUMBER
DME	DIGITAL ENGINE ELECTRONICS	NSL	REAR FOG L
EDS	ELECTRONIC DIFFERENTIAL LOCK	NTC	NEGATIVE T
EKP	ELEC.FUEL PUMP	ORVR	FUEL VAPO
EV	FUEL INJECTOR	PCM	PORSCHE
FH	POWER WINDOW	PDV	DIAGNOSIS F
GND	GROUND	PIN	PIN

00 OUTPUT	56	LIGHT SWITCH POSITION	II
ON SWITCH POSITION	0	56a/56b HIGH BEAM/LOW BEAM	
ON SWITCH POSITION	I-II	57 LIGHT SWITCH POSITION	I
ON DISCHARGING		58 LIGHT SWITCH POSITION	I-II
ON SWITCH POSITION	II-III	58R/58L SIDE MARKER LIGHT RIGHT/LEFT	
ON SWITCH POSITION	I-II-III	58d INSTRUMENT LIGHTS LAMPS BULB/LED	
DISIS K		31d INSTRUMENT LIGHTS MINUS POTENTIAL LED	
ANENT POSITIVE		Ti INJECTION SIGNAL	
ND		Tn ROTATIONAL SPEED SIGNAL	
LIGHT		61 GENERATOR D+	



K L M N O P

	CODE	MEANING	CODE	MEANING
VALVE	HA	REAR AXLE	POTI	POTENTIOMETER
VAL	HF	HIGH FREQUENCY	PSM	PORSCHE STABILITY MANAGEMENT
	HFM	HOT-FILM AIR MASS METER	RDK	TIRE PRESSURE CONTROL
	HL	REAR LEFT	RDW	REST OF WORLD
	HR	REAR RIGHT	RFL	BACKUP LIGHT
AIR CONTROL	KL	TERMINAL	RL	RIGHT-HAND DRIVE
	KLS	COMBINED STEERING COLUMN SWITCH	SA	SAUDI ARABIA
	KS	WIRING LOOM	SG	CONTROL UNIT
	KVA	FUEL CONSUMPTION INDICATOR	SI	FUSE
	LED	LIGHT-EMITTING DIODE	SILA	SAFETY LAMP
	LL	LEFT-HAND DRIVE	SRA	HEADLIGHT CLEANING SYSTEM
	LWR	HEADLIGHT VERTICAL AIM CONTROL	ST	PLUG
	ME	MOTRONIK WITH ELECTRON. THROTTLE CONTROL	TC	TRACTION CONTROL
	MMI	ENGINE ACTUAL IMPULSE	TEL.MUTE	RADIO MUTING CONTROL
	MMR	NOMINAL TORQUE	TI	INJECTION TIME
T	MP	GROUND POINT	TN	ENGINE SPEED
	NF	LOW FREQUENCY	TS	DISCONNECTING POINT
	NL	FOG LIGHT	VA	FRONT AXLE
	NR	NUMBER	VOKD	LID F CONVERT: TOP HOUSING
	NSL	REAR FOG LIGHT	VL	FRONT LEFT
CK	NTC	NEGATIVE TEMPERATURE COEFFICIENT	VR	FRONT RIGHT
	ORVR	FUEL VAPOUR EXTRACTION	VS	CONNECTING POINT
	PCM	PORSCHE INFOSYSTEM NAVIGATION	WW	WORLDWIDE
	PDV	DIAGNOSIS PUMP FOR TANK LEAK RECOGNITION DEVICE	ZK	IGNITION CIRCUIT
	PIN	PIN	ZV	CENTRAL LOCKING SYSTEM



K L M N O P

Boxster MODEL 99 SHEET 20

WELDING POINT

A		B		C		D		E		
WELDING POINT IN WL PASSENGER COMP.				WELDING POINT IN WL PASSENGER COMP.						
CP-NO.	WIRE COLOR	DESIGNATION, FUNCTION	POSITION IN VEHICLE		FIELD IN WIRING DIAGRAM		CP-NO.	WIRE COLOR	DESIGNATION, FUNCTION	POSITION IN VEHICLE
			LHD	RHD						LHD
1	BR	GROUND	7cP	7cM	D164		115	BK/YE	TERM.XE SI C 7 CONTROL WIRE	7cQ
2	BR	GROUND	7cP	7cM	E164		117	DR	SENSOR SIDE AIRBAG	7cP
3							119	RE/WT	IGNITION LOCK	7cP
4	BR	GROUND	7cP	7cM	G164		120	RE/BK	TERM.30 F6 CURRENT DISTRIBUTOR	7cP
6	BR	GROUND	7cP	7cM	H164		121	RE	GENERAL ON BOARD COMP. NETWORK	7cP
7	BR	GROUND	10dP	10dP	A169		123	BK/YE	TERM.X IGNITION LOCK	7cP
9	BR	GROUND	7cP	7cM	G164		124	BK	TERM.15 IGNITION LOCK	7cP
16	BR	GROUND	10dM	10dM	K164		127			
17	RE/BK	TERM.30 SI B 1	7cQ	7cL	D154		129	BK/RE	TERM.15 SI B 10	7dQ
18	RE/GN	TERM.30 INFOSYSTEM	7cM	7cP	L133		130	RE/BK	TERM.30 M113 DAYTIME RUNNING LIGHT	7dQ
19	BR	TERM.31 INFOSYSTEM	7cM	7cP	M133		131			
20	GR/BL	TERM.58d INFOSYSTEM	7cM	7cP	L134		132	BK	TERM.15 SI B 6	7dQ
21	BK/BL	BACKUP LIGHT			L6		133	BK/YE	TERM.X DAYTIME RUNNING LIGHT	7cP
22	WT/BK	TERM.56	7bQ	7bL	H3		137			
24	GN/DR	TERM.30 DRVR	7cM		J188		138			
26	GR	NAVIGATION JAPAN	7cN	7cN	H137		139	YE/BK	D-TELEPHONE BUTE	6cB
27	RE/GN	TERM.30 SI E 6 AUDIO /DRVR	7cQ	7cL	M152		140	YE/BK	HANDY MUTE	7cL
28	GN/BK	TERM.15 SI E 8 AUDIO /DRVR	7cQ	7cL	M151					
29	YE	FUEL CONSUMPTION INDICATOR	7dQ	7dQ	E14		141	BR/WT	SPEED SENSOR FL	6cP
30	BR/YE	PARKING BRAKE CONTACT	7cQ	7cQ	M13		142	BR/BL	SPEED SENSOR FL	6cP
31	YE/WT	FOG LIGHT ROW	7cQ	7cL	E5		143	BR/WT	SPEED SENSOR FR	6cP
32	YE/WT	FOG LIGHT USA/JAPAN	7cQ	7cL	E5		144	BR/BL	SPEED SENSOR FR	6cP
33	BK/WT	TURN SIGNALS LEFT	7cQ	7cQ	K4		145	BR/WT	ALWR SENSOR FRONT LEFT	
34	BK/GN	TURN SIGNALS RIGHT	7cQ	7cQ	L6		146	RE/VI	ALWR 5VOLT FL	
35	GR	TERM.58 HIGH BEAM			H5		147	BR/PK	ALWR GROUND FL	
37	BR/GN	BRAKE PAD WEAR DISPLAY FR	7cM	7cM	J19					
38	BR/BK	BRAKE PAD WEAR DISPLAY FR	7cM	7cM	J19		150			
39	BL	TERM.61 CHARGE INDICATOR	7cP	7cM	E15		151	BL/GN/RE	LID LOCK	10eQ
42	GR/BL	TERM.58d	7cM	7cP	M16		152	BL/YE/RE	LID LOCK	10eQ
46	BR/DR	ANALOG GROUND	7cP	7cM	F14		155	BK	LEAD CD-CHANGER	
49	BK/YE	TERM.X	7cP	7cL	C27		156	BR	LEAD CD-CHANGER	
53	BR/BK	BRAKE PAD WEAR DISPLAY FL CLUSTER	7cQ	7cQ	H19		157	BR/BL	AUDIO OPTION PACK RADIO LF-WIRE	
54	BR/GN	BRAKE PAD WEAR DISPLAY FL CLUSTER	7cQ	7cQ	H19		161	BL/RE	LHDCU MEMORY LEFT	8eQ
55	BR	FL > BRAKE PAD WEAR DISPLAY	7cQ	7cQ	G19		162	WT/YE	LHDCU MEMORY LEFT	8eQ
56	BR	FR > GROUND WHEEL CARRIER	7cM	7cM	H19		163	WT	LHDCU MEMORY LEFT	8eQ
61	GR/GN	REAR WINDOW DEFOGGER	7cQ	7cL	F57		164	BL/RE	RHDCU MEMORY RIGHT	XX
65	BK/GR	TERM.87 RELAY ACTUATION HEATING	7cM	7cP	M46		165	WT/YE	RHDCU MEMORY RIGHT	XX
66	BL/BR	SAFE MOTOR	7dQ	9eQ	J84		166	WT	RHDCU MEMORY RIGHT	XX
70	BR/GN	DOOR CONTACT	XX	7cL	H84					
71	BL/WT/BR	DOOR RIGHT LOCK	XX	7cL	J84					
72	GR/WT	ALARM SIREN	7dQ	7dQ	E83					
73	BR/YE	DOOR LIGHT	8eQ	9eQ	K87					
74	BR/GN/WT	DOOR CONTACT	7cR	XX	H86					
75	BL/WT/BR	DOOR LOCKED	10eQ	XX	H85					
76	BR/RE	DOOR LOCK UP	10eQ	9eQ	H86					
77	BR/WT	DOOR LOCK CLOSE	7cP	9eQ	H84					
79	RE/BK	MAKE UP MIRROR	9aP	9aP	L88					
81	GN/DR	DOOR LOCK CLS MOTOR	7dQ	9eQ	J85					
82	BL/YE	DOOR LOCK CLS MOTOR	7dQ	9eQ	J85					
88	WT/BR	ESQ, RL CLUSTER MFI-DI	6cB	6cB	F96					
90	DR/BK	K2 - LEAD	6cQ	6cQ	N118					
91	DR/BK	K2 - LEAD	6cQ	6cQ	N118					
99	RE/BL	ME 7 TERM.86 REL. ELEC.FUEL PUMP	7dQ	7cL	K184					
100	RE/BL	DME TERM.86 REL. ELEC.FUEL PUMP	7dQ	7cL	N114					
104	DR/BK	K1 - LEAD	9eR	9eR	P119					
107	VI/GN	TN-SIGNAL	7dQ	7cL	O117					
108	GN/RE	CU AIRBAG CRASH OUTPUT	8eQ	9eR	M126					
109	VI/GN	TN-SIGNAL	7dQ	7cL	P117					
110	DR/RE	DIAGNOSE AND CONTROL CLUSTER	7cP	7cM	C126					
113	RE/GN	TERM.30 TELEPHONE	5cP	5cP	M136					
WELDING POINT IN WL FRONT END LEFT				WELDING POINT IN WL FRONT END LEFT						
CP-NO.	WIRE COLOR	DESIGNATION, FUNCTION	POSITION IN VEHICLE		FIELD IN WIRING DIAGRAM		CP-NO.	WIRE COLOR	DESIGNATION, FUNCTION	POSITION IN VEHICLE
			LHD	RHD						LHD
1							1			
2	BR	GROUND					2	BR	GROUND	4cQ
3							3			
4							4			
5							5			
6							6			
7	BK/YE	+ TWO-TONE HORNS					7	BK/YE	+ TWO-TONE HORNS	10M
8	BR	- TWO-TONE HORNS					8	BR	- TWO-TONE HORNS	10M
9							9			
10							10			
WELDING POINT IN WL FRONT END RIGHT				WELDING POINT IN WL FRONT END RIGHT						
CP-NO.	WIRE COLOR	DESIGNATION, FUNCTION	POSITION IN VEHICLE		FIELD IN WIRING DIAGRAM		CP-NO.	WIRE COLOR	DESIGNATION, FUNCTION	POSITION IN VEHICLE
			LHD	RHD						LHD
1							1			
2	BR	GROUND					2	BR	GROUND	4cL
3							3			
4							4			
5							5			
6							6			

F

G

H

J

K

L

MP.

WELDING POINT IN WL REAR

WELDING POINT IN WL MOTOR

POSITION IN VEHICLE		FIELD IN WIRING DIAGRAM
LHD	RHD	
cQ	7cL	G152
7cP	7cM	F158
7cP	7cM	G158
7cP	7cM	E157
7cP	7cM	D156
7cP	7cM	F157
7cP	7cL	F155
7dQ	7cL	D151
7dQ	XX	E156
7dQ	7cL	D153
7cP	7cM	F157
6cB	6cB	L135
7cL	7cL	J136
6cP	6cP	F98/N98
6cP	6cP	F97/N97
6cP	6cP	F98/N98
6cP	6cP	F97/N97
		G9
		G8
		G9
10eQ	10eQ	N83
10eQ	10eQ	N83
		B133/F133
		B134/F134
		F135
eQ	XX	D142
eQ	XX	D144
eQ	XX	C144
KX	9eL	K142
KX	9eL	J144
KX	9eL	J144

CP-NO.	WIRE COLOR	DESIGNATION, FUNCTION	POSITION IN VEHICLE		FIELD IN WIRING DIAGRAM
			LHD	RHD	
1	BR	GROUND	15cP	15cP	D169
10					
11					
12					
13	BK/DR	STOP LIGHT	15cP	15cP	N8
14					
15					
16					
20					
21					
22	BK	TERM.87 REL. IGNITION / OXYGEN SENSOR	15cQ	15cQ	J113
23					
24					
25	RE/GN	TERM.30 RELAY MFI+DI	15cQ	15cQ	L114
26	RE/BL	TERM.87 RELAY MFI+DI	15cQ	15cQ	L114 / E187
27					
28					
29					
30					
31					
32					
40					
41					
42					
43	BR/GN	BRAKE PAD WEAR DISPLAY RL	15 cQ	15 cQ	F19
44	BR	BRAKE PAD WEAR DISPLAY RL GROUND WHEEL TAPPER	15 cQ	15 cQ	F19
45					
46					
47					
48					
49					
50					

CP-NO.	WIRE COLOR	DESIGNATION, FUNCTION	POSITION IN VEHICLE		FIELD IN WIRING DIAGRAM
			LHD	RHD	
1	BL/RE	GROUND OXYGEN SENSOR			14c
2	BK	TERM.15 OXYGEN SENSOR			14c
3	BR/PK	GROUND SENSORS			14c
4	BR	GROUND SHIELD			14c
5					
6					
7					
8	RE/VI	5V-SUPPLY			14c
9	RE/BL	VALVE SUPPLY			14c
10	BK	TERM.15E FUEL INJECTORS			14c
11	GR/GN	SUPPLY SECONDARY AIR PUMP			14c
12					
13					
14	BR	GROUND KNOCK SENSORS			14c
15					
16					
17					
18	BK/BL	TERM.15 CU TIPTRONIC			15c
19					
20	BR	TERM.31 CU TIPTRONIC			15c
21	PK/BK	SWITCH LIFTING WIRE 1			15c
22	BL/YE	SWITCH LIFTING WIRE 2			15c
23	BL/WT	SWITCH LIFTING WIRE 3			15c
24	BL/BK	SWITCH LIFTING WIRE 4			15c
25					
26					
27	YE/BL	SUPPLY SOLENOID VALVE			15c
28					
29					
30					

WELDING POINT IN WL DOOR DRIVER'S SIDE

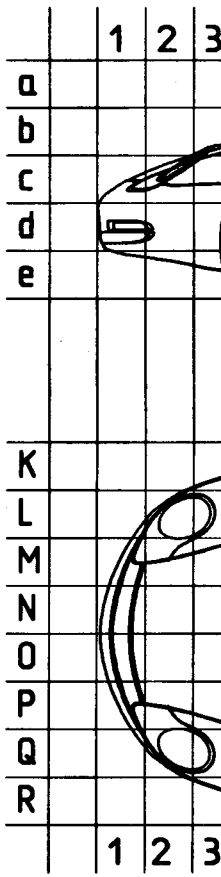
CP-NO.	WIRE COLOR	DESIGNATION, FUNCTION	POSITION IN VEHICLE		FIELD IN WIRING DIAGRAM
			LHD	RHD	
1					
2	BR	GROUND	9cR	9cK	F89
3	BR/GN	DOOR CONTACT	9cR	9cK	F89
4	BL/WT/BR	DOOR LOCKED	9cR	9cK	F89
5					
6					
7					
8					
9					
10					

WELDING POINT IN WL DOOR PASSENGER'S SIDE

CP-NO.	WIRE COLOR	DESIGNATION, FUNCTION	POSITION IN VEHICLE		FIELD IN WIRING DIAGRAM
			LHD	RHD	
1					
2	BR	GROUND	9cK	9cR	F82
3	BR/GN	DOOR CONTACT	9cK	9cR	F82
4	BL/WT/BR	DOOR LOCKED	9cK	9cR	F82
5					
6					
7					
8					
9					
10					

POSITION IN VEHICLE		FIELD IN WIRING DIAGRAM
LHD	RHD	
eQ	4cQ	B164
1dM	1dM	D22
1dM	1dM	E22

POSITION IN VEHICLE		FIELD IN WIRING DIAGRAM
LHD	RHD	
4cL	4cL	A164



F

G

H

J

K

L

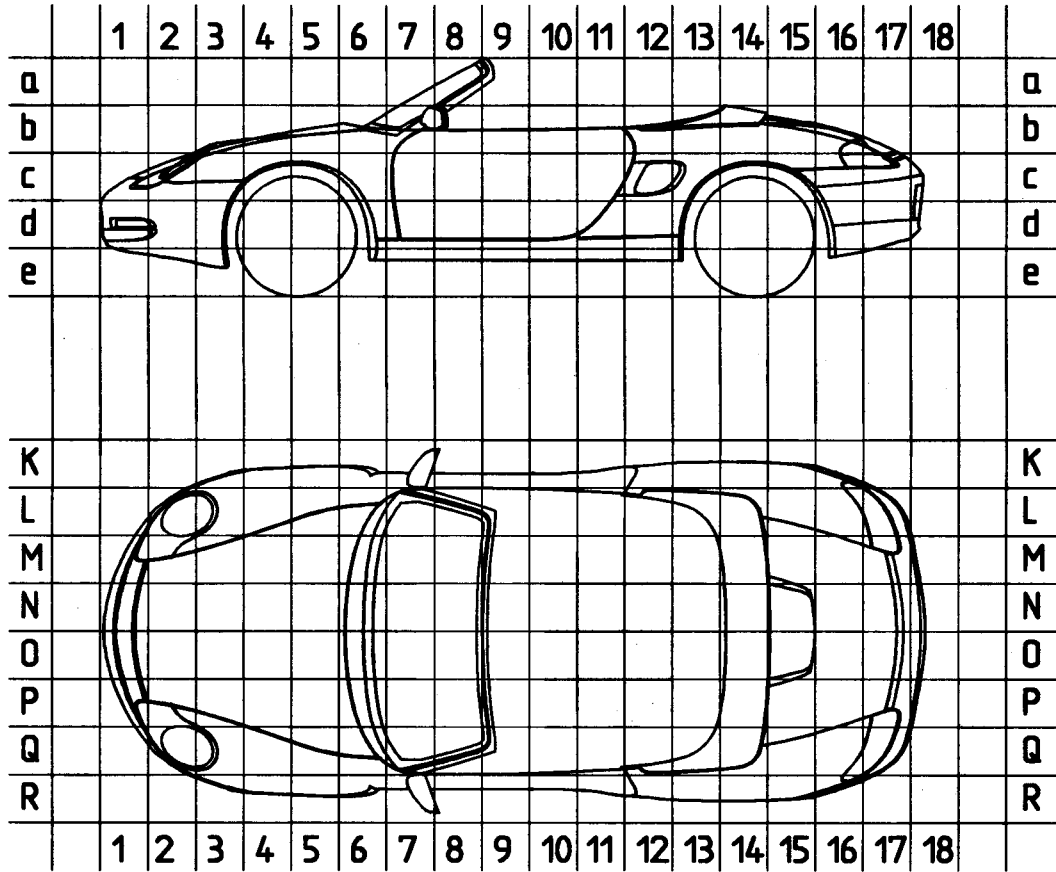
K L M N O P

WELDING POINT IN WL MOTOR

P-NO.	WIRE COLOR	DESIGNATION, FUNCTION	POSITION IN VEHICLE		FIELD IN WIRING DIAGRAM
			LHD	RHD	
1	BL/RE	GROUND OXYGEN SENSOR	14cN	14cN	H113
2	BK	TERM.15 OXYGEN SENSOR	14cN	14cN	F112
3	BR/PK	GROUND SENSORS	14cN	14cN	C118
4	BR	GROUND SHIELD	14cN	14cN	E112
5					
6					
7					
8	RE/VI	5V-SUPPLY	14cN	14cN	C119
9	RE/BL	VALVE SUPPLY	14cN	14cN	J119
10	BK	TERM.15E FUEL INJECTORS	14cD	14cD	H119
11	GR/GN	SUPPLY SECONDARY AIR PUMP	14cD	14cD	G114
12					
13					
14	BR	GROUND KNOCK SENSORS	14cN	14cN	C117
15					
16					
17					
18	BK/BL	TERM.15 CU TIPTRONIC	15cM	15cM	G103
19					
20	BR	TERM.31 CU TIPTRONIC	15cM	15cM	E104
21	PK/BK	SWITCH LIFTING WIRE 1	15dM	15dM	E105
22	BL/YE	SWITCH LIFTING WIRE 2	15dM	15dM	E105
23	BL/WT	SWITCH LIFTING WIRE 3	15dM	15dM	E105
24	BL/BK	SWITCH LIFTING WIRE 4	15dM	15dM	E105
25					
26					
27	YE/BL	SUPPLY SOLENOID VALVE	15dM	15dM	C106
28					
29					
30					

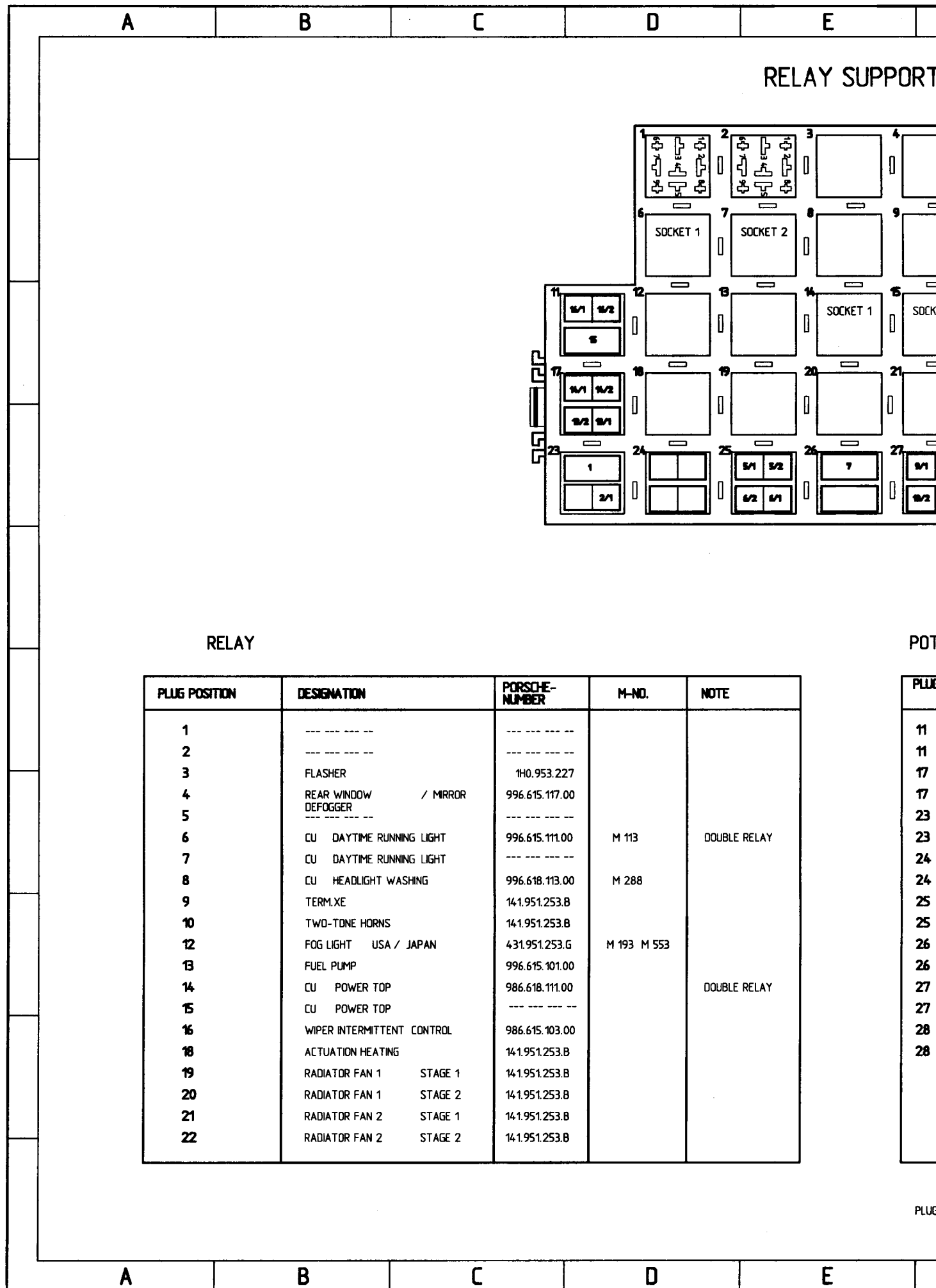
WELDING POINT IN WL MOTOR

CP-NO.	WIRE COLOR	DESIGNATION, FUNCTION	POSITION IN VEHICLE		FIELD IN WIRING DIAGRAM
			LHD	RHD	
31	RE/WT	OXYGEN SENSOR UPSTR.CAT.	15cD	15cD	G113
32	BR/OR	OIL LEVEL SENSOR	15cD	15cD	K14
33					
34					
35					
36					
37					
38					
39					
40	RE/GR	HALL SENSOR	15cD	15cD	C116
41					
42	BK	ME 7 TERM.15E	15cD	15cD	B176
43	BK	ME 7 TERM.15 FUEL INJECTORS	15cD	15cD	G178
44	RE/BL	ME 7 TERM.30 VALVES	15cN	15cN	H178
48	RE/VI	ME 7 +5V SUPPLY	15cN	15cN	M177
52	BR/OR	ME 7 ANALOG GROUND	15cD	15cD	N177
53	BR/PK	ME 7 GROUND SENSOR	15cN	15cN	M176



Boxster MODEL 99 SHEET 21

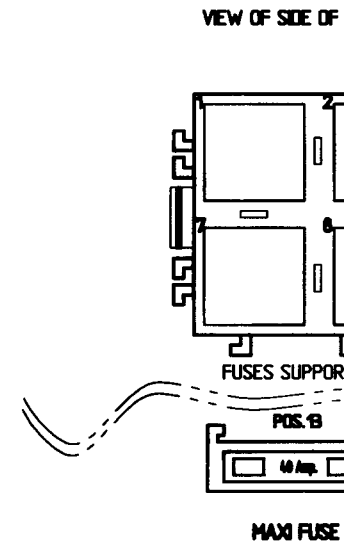
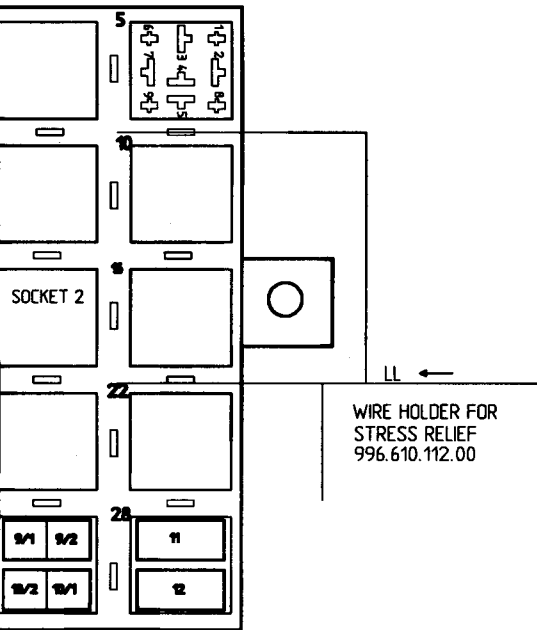
RELAY SUPPORT 1 RELAY SUPPORT 2



RELAY

PLUG POSITION	DESIGNATION	PORSCHE-NUMBER	M-NO.	NOTE
1	-----	-----		
2	-----	-----		
3	FLASHER	1H0.953.227		
4	REAR WINDOW / MIRROR DEFOGGER	996.615.117.00		
5	-----	-----		
6	CU DAYTIME RUNNING LIGHT	996.615.111.00	M 113	DOUBLE RELAY
7	CU DAYTIME RUNNING LIGHT	-----		
8	CU HEADLIGHT WASHING	996.618.113.00	M 288	
9	TERM.XE	141.951.253.B		
10	TWO-TONE HORNS	141.951.253.B		
12	FOG LIGHT USA / JAPAN	431.951.253.G	M 193 M 553	
13	FUEL PUMP	996.615.101.00		
14	CU POWER TOP	986.618.111.00		DOUBLE RELAY
15	CU POWER TOP	-----		
16	WIPER INTERMITTENT CONTROL	986.615.103.00		
18	ACTION HEATING	141.951.253.B		
19	RADIATOR FAN 1 STAGE 1	141.951.253.B		
20	RADIATOR FAN 1 STAGE 2	141.951.253.B		
21	RADIATOR FAN 2 STAGE 1	141.951.253.B		
22	RADIATOR FAN 2 STAGE 2	141.951.253.B		

PORT 1



POTENTIAL DISTRIBUTOR BRIDGE PLUG

PLUG POSITION NAME	COLOR	POTENTIAL	NAME	COLOR	POTENTIAL	NOTE
11 BS. 16/1	BK/BR	TERM.15 SI B 8	BS. 16/2	BK/OR	TERM.15 SI B 5	8 PINS
11 BS. 15	GR/RE	TERM.58d LED				
17 BS. 13/1	OR	TERM.86S SI E 1	BS. 13/2		NOT USED	8 PINS
17 BS. 14/1		NOT USED	BS. 14/2	BK	TERM.15 STOP LIGHT FUSE INPUT	
23 BS. 1	GR/PK	TERM. SPEEDOMETER A				8 PINS
23 BS. 2/1	BK/RE	TERM.15 SI B 10	BS. 2/2		NOT USED	
24 BS. 3/1		NOT USED	BS. 3/2		NOT USED	8 PINS
24 BS. 4/1		NOT USED	BS. 4/2		NOT USED	
25 BS. 5/1	WT	TERM.56a	BS. 5/2	GR/BL/BR	TERM.31d LED	8 PINS
25 BS. 6/1		NOT USED	BS. 6/2	BK/OR	TERM.54 STOP LIGHT	
26 BS. 7	RE/BK	CONSUMER SWITCHED OFF				8 PINS
26 BS. 8		NOT USED			NOT USED	
27 BS. 9/1	RE/BR	TERM.30 CLS	BS. 9/2	RE/BK	TERM.30 SI B 1	8 PINS
27 BS. 10/1	GR	TERM.58 SI A 5	BS. 10/2		NOT USED	
28 BS. 11	BR	TERM.31 GP 4				8 PINS
28 BS. 12	BR	TERM.31 GP 3				8 PINS

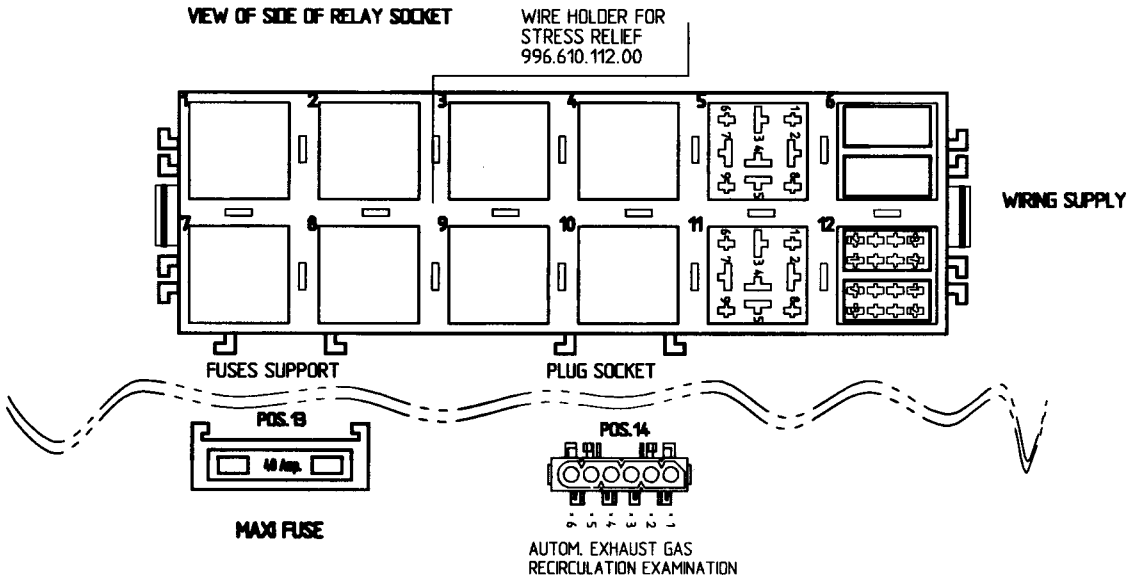
RELAY

PLUG POSITION NAME
1
2
3
4
5
7
8
9
10
11
6
12
13
14

PLUG POSITION UNDER THE SEAT SEAT HEATER 996.618.521.00 M139 + M340

K L M N O P

RELAY SUPPORT 2



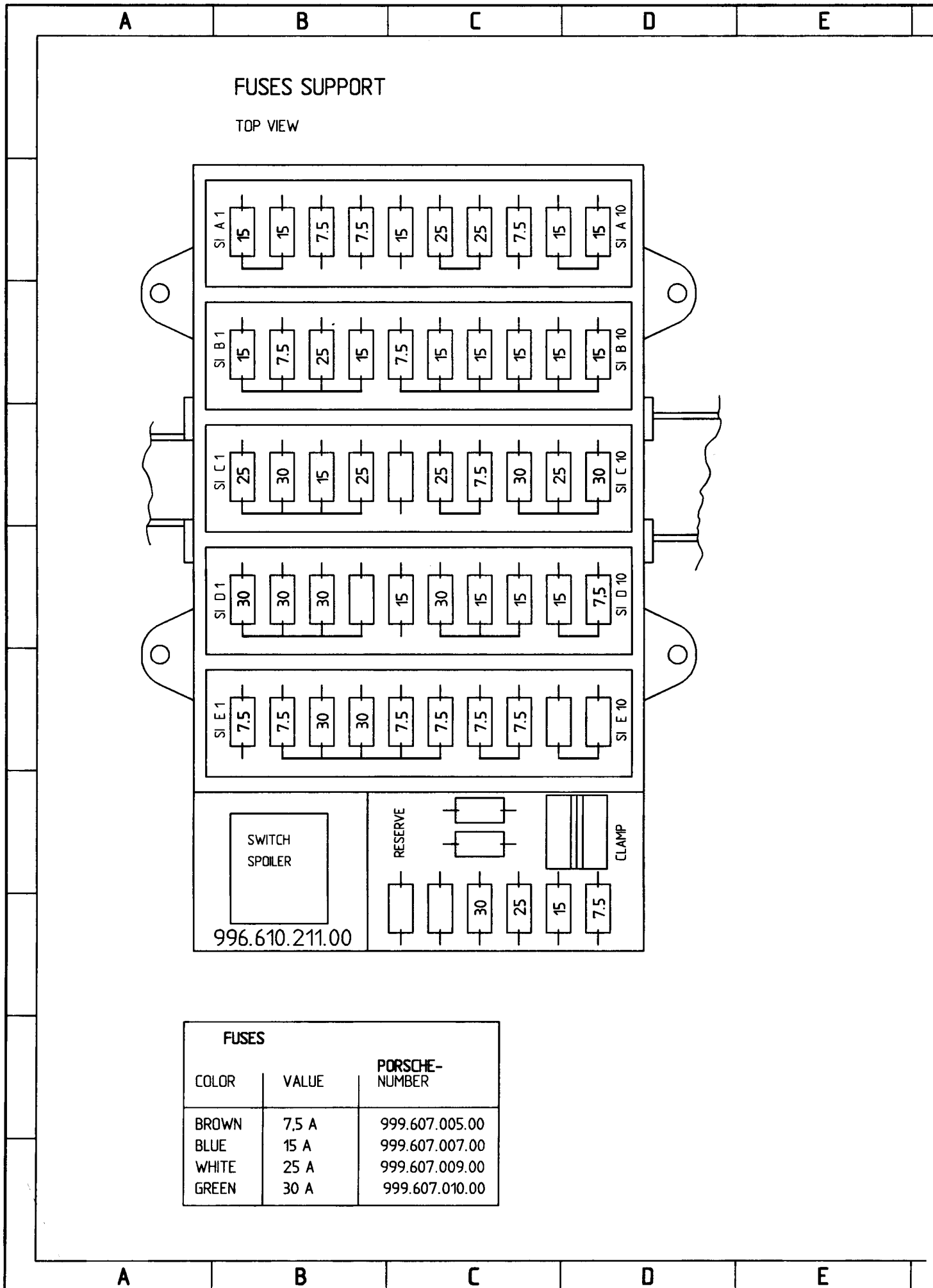
RELAY POTENTIAL DISTRIBUTOR BRIDGE PLUG

PLUG POSITION NAME	DESIGNATION	PORSCHE-NUMBER	M-NO.	NOTE
1	RELAY MFI+DI	141.951.253.B		
2	IGNITION / OXYGEN SENSOR	141.951.253.B		
3	SPOILER EXTENSION	996.615.102.00		
4	AIR COMPRESSOR	964.615.215.00	M 573	
5	-----	-----		
7	START LOCK	996.615.110.00	M009	
	START LOCK	141.951.253.B	M008	
8	ENGINE COMPARTMENT CLEANER FAN	141.951.253.B		
9	SPOILER RETRACTION	996.615.102.00		
10	SECONDARY AIR PUMP	993.615.115.00	M 661	
11	-----	-----		
6	-----	-----		
12	-----	-----		
13	MAXI FUSE FOR SECONDARY AIR PUMP		M 661	40 AMP.
14	TEST PLUG FOR AUTOM. EXHAUST GAS RECIRCULATION EXAMINATION			1 SIGNAL 2 TERM.31 GROUND 6 TN-SIGNAL

K L M N O P

Boxster MODEL 99 SHEET 22

FUSES



FUSE HOLDER A

FUSE			
NO.	VALUE	DESIGNATION	M-NO.
SI A 1	15 A	HIGH BEAM RIGHT HIGH BEAM CONTROL	
SI A 2	15 A	HIGH BEAM LEFT	
SI A 3	7,5 A	SIDE MARKER LIGHT RIGHT	
SI A 4	7,5 A	SIDE MARKER LIGHT LEFT	
SI A 5	15 A	LICENSE PLATE LIGHTS LOCATING LIGHT INSTRUMENT LIGHTS	
SI A 6	25 A	SEAT HEATER	M139/M340
SI A 7	25 A	FOG LIGHT REAR FOG LIGHT	
SI A 8	7,5 A	LICENSE PLATE LIGHTS CANADA	M113
SI A 9	15 A	LOW BEAM RIGHT	
SI A 10	15 A	LOW BEAM LEFT	

FUSE HOLDER B

FUSE	
NO.	VALUE
SI B 1	15 A
SI B 2	7,5 A
SI B 3	25 A
SI B 4	15 A
SI B 5	7,5 A
SI B 6	15 A
SI B 7	15 A
SI B 8	15 A
SI B 9	15 A
SI B 10	15 A

FUSE HOLDER C

FUSE			
NO.	VALUE	DESIGNATION	M-NO.
SI C 1	25 A	ENGINE ELECTRONICS	
SI C 2	30 A	IGNITION INJECTION OXYGEN SENSOR HEATER	
SI C 3	15 A	CU CL/ALARM POWER WINDOW INSIDE LIGHT	
SI C 4	25 A	FUEL PUMP	
SI C 5			
SI C 6	25 A	WIPER	
SI C 7	7,5 A	TERM.X CONTROL WIRES	
SI C 8	30 A	RADIATOR FAN RIGHT	
SI C 9	25 A	HEADLIGHT CLEANING SYSTEM	M288
SI C 10	30 A	RADIATOR FAN LEFT	

FUSE HOLDER D

FUSE	
NO.	VALUE
SI D 1	30 A
SI D 2	30 A
SI D 3	30 A
SI D 4	
SI D 5	15 A
SI D 6	30 A
SI D 7	15 A
SI D 8	15 A
SI D 9	15 A
SI D 10	7,5 A

FUSE HOLDER E

FUSE			
NO.	VALUE	DESIGNATION	M-NO.
SI E 1	7,5 A	TERM.86S CU CL/ALARM RADIO CLUSTER DAYTIME RUNNING LIGHT	M113
SI E 2	7,5 A	CU MEMORY	M537 / M538
SI E 3	30 A	BACKREST CONTROL SEAT LEFT CU MEMORY	M537
SI E 4	30 A	BACKREST CONTROL SEAT RIGHT CU MEMORY	M538
SI E 5	7,5 A	INFOSYSTEM	M662
SI E 6	7,5 A	TERM.30 TELEPHONE / HANDY CU NAVIGATION ORVR	M614 / M618 M664
SI E 7	7,5 A	AIR CONDITIONING SYSTEM	M573
SI E 8	7,5 A	TERM.15 TELEPHONE / HANDY / INFOSYSTEM	M614 / M618 / M662
SI E 9			
SI E 10			

FUSE HOLDER F

FUSE	
NO.	VALUE
MF 1/1	40 A

K L M N O P

FUSE HOLDER B

FUSE			
NO.	VALUE	DESIGNATION	M-NO.
SI B 1	15 A	INSTRUMENT CLUSTER TIPTRONIC BUTTON ASR E/A DIAGNOSIS	
SI B 2	7,5 A	RADIO	
SI B 3	25 A	TWO-TONE HORNS	
SI B 4	15 A	ENGINE COMPARTMENT BLOWER	
SI B 5	7,5 A	BACKUP LIGHT CU MEMORY MIRROR ADJUSTMENT	
SI B 6	15 A	CONVERTIBLE TOP TURN SIGNALS POWER WINDOW	
SI B 7	15 A	STOP LIGHT CRUISE CONTROL	
SI B 8	15 A	CU CL/ALARM CU ENGINE ELECTRONICS CU TIPTRONIC	
SI B 9	15 A	CU ABS/ASR	
SI B 10	15 A	INSTRUMENT CLUSTERDIAGNOSIS HEADLIGHT VERTICAL AIM CONTROL	

FUSE HOLDER D

FUSE			
NO.	VALUE	DESIGNATION	M-NO.
SI D 1	30 A	POWER WINDOW	
SI D 2	30 A	REAR WINDOW DEFOGGER / MIRROR HEATING	
SI D 3	30 A	CONVERTIBLE TOP DRIVE	
SI D 4			
SI D 5	15 A	CIGAR LIGHTER	
SI D 6	30 A	HEATER AIR CONDITIONING SYSTEM	
SI D 7	15 A	HAZARD-WARNING A.TURN-SIGNAL SYSTEM	
SI D 8	15 A	REAR SPOILER	
SI D 9	15 A	AUDIO OPTION PACK	M490
SI D 10	7,5 A	MOUNTING POINT FOR RETROFIT WARNING MAXIMUM OF 5 A	

FUSE HOLDER VARIOUS

FUSE			
NO.	VALUE	DESIGNATION	M-NO.
M F 1/1	40 A	MAXI FUSE SECONDARY AIR PUMP	M 661
		ON RELAY SUPPORT 2	MAXI FUSE 999.607.011.00

K L M N O P